

# STREAMS Programming Guide

ORACLE®

Part No: E54835  
March 2019



**Part No: E54835**

Copyright © 2005, 2019, Oracle and/or its affiliates. All rights reserved.

This software and related documentation are provided under a license agreement containing restrictions on use and disclosure and are protected by intellectual property laws. Except as expressly permitted in your license agreement or allowed by law, you may not use, copy, reproduce, translate, broadcast, modify, license, transmit, distribute, exhibit, perform, publish, or display any part, in any form, or by any means. Reverse engineering, disassembly, or decompilation of this software, unless required by law for interoperability, is prohibited.

The information contained herein is subject to change without notice and is not warranted to be error-free. If you find any errors, please report them to us in writing.

If this is software or related documentation that is delivered to the U.S. Government or anyone licensing it on behalf of the U.S. Government, then the following notice is applicable:

U.S. GOVERNMENT END USERS: Oracle programs, including any operating system, integrated software, any programs installed on the hardware, and/or documentation, delivered to U.S. Government end users are "commercial computer software" pursuant to the applicable Federal Acquisition Regulation and agency-specific supplemental regulations. As such, use, duplication, disclosure, modification, and adaptation of the programs, including any operating system, integrated software, any programs installed on the hardware, and/or documentation, shall be subject to license terms and license restrictions applicable to the programs. No other rights are granted to the U.S. Government.

This software or hardware is developed for general use in a variety of information management applications. It is not developed or intended for use in any inherently dangerous applications, including applications that may create a risk of personal injury. If you use this software or hardware in dangerous applications, then you shall be responsible to take all appropriate fail-safe, backup, redundancy, and other measures to ensure its safe use. Oracle Corporation and its affiliates disclaim any liability for any damages caused by use of this software or hardware in dangerous applications.

Oracle and Java are registered trademarks of Oracle and/or its affiliates. Other names may be trademarks of their respective owners.

Intel and Intel Xeon are trademarks or registered trademarks of Intel Corporation. All SPARC trademarks are used under license and are trademarks or registered trademarks of SPARC International, Inc. AMD, Opteron, the AMD logo, and the AMD Opteron logo are trademarks or registered trademarks of Advanced Micro Devices. UNIX is a registered trademark of The Open Group.

This software or hardware and documentation may provide access to or information about content, products, and services from third parties. Oracle Corporation and its affiliates are not responsible for and expressly disclaim all warranties of any kind with respect to third-party content, products, and services unless otherwise set forth in an applicable agreement between you and Oracle. Oracle Corporation and its affiliates will not be responsible for any loss, costs, or damages incurred due to your access to or use of third-party content, products, or services, except as set forth in an applicable agreement between you and Oracle.

**Access to Oracle Support**

Oracle customers that have purchased support have access to electronic support through My Oracle Support. For information, visit <http://www.oracle.com/pls/topic/lookup?ctx=acc&id=info> or visit <http://www.oracle.com/pls/topic/lookup?ctx=acc&id=trs> if you are hearing impaired.

**Référence: E54835**

Copyright © 2005, 2019, Oracle et/ou ses affiliés. Tous droits réservés.

Ce logiciel et la documentation qui l'accompagne sont protégés par les lois sur la propriété intellectuelle. Ils sont concédés sous licence et soumis à des restrictions d'utilisation et de divulgation. Sauf stipulation expresse de votre contrat de licence ou de la loi, vous ne pouvez pas copier, reproduire, traduire, diffuser, modifier, accorder de licence, transmettre, distribuer, exposer, exécuter, publier ou afficher le logiciel, même partiellement, sous quelque forme et par quelque procédé que ce soit. Par ailleurs, il est interdit de procéder à toute ingénierie inverse du logiciel, de le désassembler ou de le décompiler, excepté à des fins d'interopérabilité avec des logiciels tiers ou tel que prescrit par la loi.

Les informations fournies dans ce document sont susceptibles de modification sans préavis. Par ailleurs, Oracle Corporation ne garantit pas qu'elles soient exemptes d'erreurs et vous invite, le cas échéant, à lui en faire part par écrit.

Si ce logiciel, ou la documentation qui l'accompagne, est livré sous licence au Gouvernement des Etats-Unis, ou à quiconque qui aurait souscrit la licence de ce logiciel pour le compte du Gouvernement des Etats-Unis, la notice suivante s'applique :

U.S. GOVERNMENT END USERS: Oracle programs, including any operating system, integrated software, any programs installed on the hardware, and/or documentation, delivered to U.S. Government end users are "commercial computer software" pursuant to the applicable Federal Acquisition Regulation and agency-specific supplemental regulations. As such, use, duplication, disclosure, modification, and adaptation of the programs, including any operating system, integrated software, any programs installed on the hardware, and/or documentation, shall be subject to license terms and license restrictions applicable to the programs. No other rights are granted to the U.S. Government.

Ce logiciel ou matériel a été développé pour un usage général dans le cadre d'applications de gestion des informations. Ce logiciel ou matériel n'est pas conçu ni n'est destiné à être utilisé dans des applications à risque, notamment dans des applications pouvant causer un risque de dommages corporels. Si vous utilisez ce logiciel ou ce matériel dans le cadre d'applications dangereuses, il est de votre responsabilité de prendre toutes les mesures de secours, de sauvegarde, de redondance et autres mesures nécessaires à son utilisation dans des conditions optimales de sécurité. Oracle Corporation et ses affiliés déclinent toute responsabilité quant aux dommages causés par l'utilisation de ce logiciel ou matériel pour des applications dangereuses.

Oracle et Java sont des marques déposées d'Oracle Corporation et/ou de ses affiliés. Tout autre nom mentionné peut correspondre à des marques appartenant à d'autres propriétaires qu'Oracle.

Intel et Intel Xeon sont des marques ou des marques déposées d'Intel Corporation. Toutes les marques SPARC sont utilisées sous licence et sont des marques ou des marques déposées de SPARC International, Inc. AMD, Opteron, le logo AMD et le logo AMD Opteron sont des marques ou des marques déposées d'Advanced Micro Devices. UNIX est une marque déposée de The Open Group.

Ce logiciel ou matériel et la documentation qui l'accompagne peuvent fournir des informations ou des liens donnant accès à des contenus, des produits et des services émanant de tiers. Oracle Corporation et ses affiliés déclinent toute responsabilité ou garantie expresse quant aux contenus, produits ou services émanant de tiers, sauf mention contraire stipulée dans un contrat entre vous et Oracle. En aucun cas, Oracle Corporation et ses affiliés ne sauraient être tenus pour responsables des pertes subies, des coûts occasionnés ou des dommages causés par l'accès à des contenus, produits ou services tiers, ou à leur utilisation, sauf mention contraire stipulée dans un contrat entre vous et Oracle.

**Accès aux services de support Oracle**

Les clients Oracle qui ont souscrit un contrat de support ont accès au support électronique via My Oracle Support. Pour plus d'informations, visitez le site <http://www.oracle.com/pls/topic/lookup?ctx=acc&id=info> ou le site <http://www.oracle.com/pls/topic/lookup?ctx=acc&id=trs> si vous êtes malentendant.

# Contents

---

<b>Using This Documentation</b> .....	17
<b>I STREAMS Application Programming Interface</b> .....	19
<b>1 Overview of STREAMS</b> .....	21
What Is STREAMS? .....	21
STREAMS Definitions .....	22
When to Use STREAMS .....	25
How STREAMS Works – Application Interface .....	26
How STREAMS Works at the Kernel Level .....	29
Service Interfaces .....	35
Manipulating Modules .....	36
<b>2 STREAMS Application-Level Components</b> .....	41
STREAMS Interfaces .....	41
Opening a STREAMS Device File .....	42
Queue Allocation .....	44
Adding and Removing Modules .....	44
Closing the Stream .....	44
Stream Construction Example .....	45
<b>3 STREAMS Application-Level Mechanisms</b> .....	51
Message Handling .....	51
Message Queueing and Priorities .....	53
Input and Output Polling .....	61
Stream as a Controlling Terminal .....	67
<b>4 Application Access to the STREAMS Driver and Module Interfaces</b> .....	73
System Calls Used .....	73
Module and Driver ioctl Calls .....	74
Flush Handling .....	81

<b>5 STREAMS Administration</b> .....	83
Administration Tools .....	83
Autopush Facility .....	84
Administration Tool Description .....	86
<b>6 Pipes and Queues</b> .....	89
Overview of Pipes and FIFOs .....	89
Creating and Opening Pipes and FIFOs .....	90
<b>II STREAMS Kernel Interface</b> .....	99
<b>7 STREAMS Framework – Kernel Level</b> .....	101
Overview of Streams in Kernel Space .....	101
Stream Head .....	102
Kernel-Level Messages .....	102
Message Queues .....	112
Entry Points .....	116
Flow Control in Service Procedures .....	132
<b>8 STREAMS Kernel-Level Mechanisms</b> .....	137
ioctl Processing .....	137
Message Allocation and Freeing .....	138
Extended STREAMS Buffers .....	144
General ioctl Processing .....	147
M_FLUSH Message Handling .....	172
Driver and Module Service Interfaces .....	178
Common ioctl Interfaces .....	188
signal Message .....	189
<b>9 STREAMS Drivers</b> .....	191
STREAMS Device Drivers .....	191
STREAMS Driver Entry Points .....	192
STREAMS Driver Code Samples .....	197
Summarizing STREAMS Device Drivers .....	230
<b>10 STREAMS Modules</b> .....	231
Module Overview .....	231
Data Flow Control .....	239
Design Guidelines .....	241

<b>11 Configuring STREAMS Drivers and Modules</b>	243
Kernel Data Structures	243
STREAMS Driver Entry Points	247
STREAMS Module Configuration	253
Driver Compilation Lines	253
Kernel Loading	254
Checking the Module Type	254
Tunable Parameters	254
STREAMS Administrative Driver	255
STREAMS Anchors	258
<b>12 Multithreaded STREAMS</b>	263
Multithreaded (MT) STREAMS Overview	263
MT STREAMS Framework	265
MT STREAMS Perimeters	266
MT SAFE Modules and Drivers	271
Routines Used Inside a Perimeter	273
MT SAFE Modules Using Explicit Locks	276
Preparing to Port	278
Sample Multithreaded Device Driver Using a Per Module Inner Perimeter	279
Sample Multithreaded Module With Outer Perimeter	287
<b>13 STREAMS Multiplex Drivers</b>	295
STREAMS Multiplexers	295
Connecting And Disconnecting Lower Streams	303
Multiplexer Construction Example	305
Multiplexing Driver Example	306
Persistent Links	316
Design Guidelines	318
<b>III STREAMS Advanced Topics</b>	319
<b>14 Debugging STREAMS-based Applications</b>	321
Kernel Debug Printing	321
STREAMS Error and Trace Logging	322
Kernel Examination Tools	323
<b>IV STREAMS Appendixes</b>	325

<b>A Message Types</b> .....	327
Ordinary Messages .....	327
High-Priority Messages .....	336
<b>B Kernel Utility Interface Summary</b> .....	345
<b>C STREAMS-Based Terminal Subsystem</b> .....	347
Overview of Terminal Subsystem .....	347
STREAMS-based Pseudo-Terminal Subsystem .....	357
<b>D STREAMS FAQ</b> .....	367
<b>Glossary</b> .....	371
<b>Index</b> .....	377



## Figures

---

<b>FIGURE 1</b>	Simple Stream .....	22
<b>FIGURE 2</b>	Messages Passing Using Queues .....	24
<b>FIGURE 3</b>	Stream to Communications Driver .....	28
<b>FIGURE 4</b>	Stream in More Detail .....	30
<b>FIGURE 5</b>	Message Priorities .....	33
<b>FIGURE 6</b>	Protocol Module Portability .....	37
<b>FIGURE 7</b>	Protocol Migration .....	38
<b>FIGURE 8</b>	Module Reusability .....	39
<b>FIGURE 9</b>	Pushing the Character Conversion Module .....	47
<b>FIGURE 10</b>	Message Ordering in a Queue .....	53
<b>FIGURE 11</b>	Message Ordering With One Priority Band .....	54
<b>FIGURE 12</b>	Pushing Modules on a STREAMS-based FIFO .....	91
<b>FIGURE 13</b>	Pushing Modules on a STREAMS-based Pipe .....	92
<b>FIGURE 14</b>	Server Sets Up a Pipe .....	96
<b>FIGURE 15</b>	Processes X and Y Open /usr/toserv .....	97
<b>FIGURE 16</b>	Simple Message Referencing the Data Block .....	105
<b>FIGURE 17</b>	Linked Message Blocks .....	106
<b>FIGURE 18</b>	Queued Messages .....	107
<b>FIGURE 19</b>	Shared Data Block .....	108
<b>FIGURE 20</b>	Message Ordering in a Queue .....	111
<b>FIGURE 21</b>	Message Ordering with One Priority Band .....	112
<b>FIGURE 22</b>	Queue Pair Allocation .....	113
<b>FIGURE 23</b>	Order of a Module's open Procedure .....	117
<b>FIGURE 24</b>	Messages Flowing Around the Module Before qprocson .....	119
<b>FIGURE 25</b>	Flow of put Procedure .....	123
<b>FIGURE 26</b>	Flow of service Procedure .....	127
<b>FIGURE 27</b>	Data Structure Linkage .....	130
<b>FIGURE 28</b>	Flow Control Mechanism .....	133

<b>FIGURE 29</b>	Flushing the Write Side of a Stream .....	173
<b>FIGURE 30</b>	Flushing the Read Side of a Stream .....	174
<b>FIGURE 31</b>	Interfaces Affecting Drivers .....	177
<b>FIGURE 32</b>	Protocol Substitution .....	179
<b>FIGURE 33</b>	Service Interface .....	180
<b>FIGURE 34</b>	Device Driver Streams .....	195
<b>FIGURE 35</b>	Loop-Around Streams .....	217
<b>FIGURE 36</b>	Protocol Multiplexer .....	297
<b>FIGURE 37</b>	Streams Before Link .....	299
<b>FIGURE 38</b>	STREAMS-based Terminal Subsystem .....	348
<b>FIGURE 39</b>	Pseudo-TTY Subsystem Architecture .....	358

## Tables

---

<b>TABLE 1</b>	Summary of Basic STREAMS-related System Calls .....	41
<b>TABLE 2</b>	Events That Can Be Polled .....	62
<b>TABLE 3</b>	poll Error Events .....	64
<b>TABLE 4</b>	I_SETSIG ioctl(2) Events .....	65
<b>TABLE 5</b>	Data in siginfo_t Structure .....	66
<b>TABLE 6</b>	System Calls Used .....	73
<b>TABLE 7</b>	Other ioctl Commands .....	79
<b>TABLE 8</b>	M_FLUSH Arguments and bi_flag values .....	81
<b>TABLE 9</b>	Tools Available for STREAMS Administration .....	83
<b>TABLE 10</b>	Ordinary Messages, Description of Communication Flow .....	103
<b>TABLE 11</b>	High-Priority Messages, Description of Communication Flow .....	103
<b>TABLE 12</b>	Queue Flags .....	114
<b>TABLE 13</b>	M_FLUSH Arguments and bi_flag Values .....	172
<b>TABLE 14</b>	Kernel Contact Points .....	192
<b>TABLE 15</b>	Choosing a Perimeter Type .....	269
<b>TABLE 16</b>	Inner Perimeter Flags .....	270
<b>TABLE 17</b>	Outer Perimeter Flag .....	270
<b>TABLE 18</b>	Modify Exclusive/Shared Access Flags .....	271
<b>TABLE 19</b>	Kernel Utility Interfaces .....	345



# Examples

---

EXAMPLE 1	Simple Stream .....	27
EXAMPLE 2	Module Header File Definition .....	45
EXAMPLE 3	Pushing a Module .....	46
EXAMPLE 4	Processing ioctl2 .....	48
EXAMPLE 5	striocctl Structure .....	48
EXAMPLE 6	Process Input .....	49
EXAMPLE 7	inter_open Routine .....	55
EXAMPLE 8	Service Provider .....	56
EXAMPLE 9	Using the inter_snd Routine .....	58
EXAMPLE 10	Receiving Data .....	59
EXAMPLE 11	Polling an Event .....	62
EXAMPLE 12	I_LIST ioctl .....	78
EXAMPLE 13	A Simple open Routine .....	119
EXAMPLE 14	Example of a Module Close .....	121
EXAMPLE 15	Example of a Module put Procedure .....	124
EXAMPLE 16	Module service Procedure .....	127
EXAMPLE 17	Use of allocb .....	139
EXAMPLE 18	Subroutine modwput .....	140
EXAMPLE 19	Device Interrupt Handler .....	142
EXAMPLE 20	Write Service Procedure .....	143
EXAMPLE 21	esballoc Example .....	146
EXAMPLE 22	Struct for Nontransparent ioctl .....	150
EXAMPLE 23	I_STR ioctl(2) Driver .....	150
EXAMPLE 24	M_COPYIN: Copy the address Structure .....	156
EXAMPLE 25	M_COPYIN: Copy the Buffer Address .....	158
EXAMPLE 26	M_COPYOUT Using Transparent ioctl .....	162
EXAMPLE 27	Bidirectional Data Transfer .....	166

---

EXAMPLE 28	M_IOCTLDATA Processing .....	168
EXAMPLE 29	List a Stream's Drivers and Modules .....	170
EXAMPLE 30	Line Discipline Module for Flush Handling .....	174
EXAMPLE 31	Priority Band Data Flush Handling .....	175
EXAMPLE 32	Service Interface Library Header File .....	181
EXAMPLE 33	Service Primitive Declarations .....	183
EXAMPLE 34	Service Interface protoput Procedure .....	185
EXAMPLE 35	Simple Line Printer Driver .....	199
EXAMPLE 36	Configuration Entry Points .....	202
EXAMPLE 37	Initialization Entry Points .....	203
EXAMPLE 38	Queue Processing Entry Points .....	206
EXAMPLE 39	Driver Flush Handling .....	208
EXAMPLE 40	Driver Interrupt Handling .....	210
EXAMPLE 41	Opening a System Clone Device .....	213
EXAMPLE 42	Opening the log Driver .....	214
EXAMPLE 43	Declarations for the Loop-Around Driver .....	218
EXAMPLE 44	Initialization Routines for the Loop-around Driver .....	221
EXAMPLE 45	Opening the Loop-Around Driver .....	222
EXAMPLE 46	Use of ioctl to Copy Data From User Space to Kernel Space .....	224
EXAMPLE 47	Loop-Around Driver Flow Control .....	228
EXAMPLE 48	Breaking Stream Connections for Loop-Around Device .....	229
EXAMPLE 49	Read-side put Procedure .....	232
EXAMPLE 50	Write-side put Procedure .....	233
EXAMPLE 51	STREAMS Module Service Procedure .....	234
EXAMPLE 52	Filter Module .....	235
EXAMPLE 53	Flushing a Queue .....	236
EXAMPLE 54	Read-side Line Discipline Module .....	239
EXAMPLE 55	Stream Pseudo Terminal Module .....	247
EXAMPLE 56	Module Structures .....	253
EXAMPLE 57	strapush Structure .....	256
EXAMPLE 58	STREAMS Anchors fd_server.c .....	259
EXAMPLE 59	STREAMS Anchors fd_client.c .....	261
EXAMPLE 60	Multithreaded, Loadable, STREAMS Pseudo-Driver .....	280
EXAMPLE 61	Multithread Module with Outer Perimeter .....	288
EXAMPLE 62	Protocol Daemon .....	297
EXAMPLE 63	Multiplexer Declarations .....	307

<b>EXAMPLE 64</b>	Upper Queue Open .....	308
<b>EXAMPLE 65</b>	bufcall Callback Routine .....	309
<b>EXAMPLE 66</b>	Upper Multiplexer Write Service Procedure .....	313
<b>EXAMPLE 67</b>	Lower Read put Procedure .....	314
<b>EXAMPLE 68</b>	EUC Header File .....	355





## Using This Documentation

---

- **Overview** – This guide describes how to use STREAMS when designing and implementing applications and STREAMS modules and drivers, for architectures that conform to the Oracle Solaris DDI/DDK.
- **Audience** – For application, driver, and module developers.
- **Required knowledge** – Readers of this guide should be familiar with writing device drivers. Advanced knowledge of Oracle Solaris internals will be helpful. The reader must also know C programming in a UNIX environment, and be familiar with the system interfaces. Driver and module developers should also be familiar with the book *Writing Device Drivers for Oracle Solaris 11.3*.

## Product Documentation Library

Documentation and resources for this product and related products are available at <http://www.oracle.com/pls/topic/lookup?ctx=E53394-01>.

## Feedback

Provide feedback about this documentation at <http://www.oracle.com/goto/docfeedback>.



## PART I

# STREAMS Application Programming Interface

Part I of this guide contains:

[Chapter 1, “Overview of STREAMS”](#) describes how to construct, use, and dismantle a stream using STREAMS-related system calls.

[Chapter 2, “STREAMS Application-Level Components”](#) describes how the kernel interprets system calls being passed from an application.

[Chapter 3, “STREAMS Application-Level Mechanisms”](#) describes how the kernel interprets system calls being passed from an application.

[Chapter 4, “Application Access to the STREAMS Driver and Module Interfaces”](#) describes application access to driver and module interfaces.

[Chapter 5, “STREAMS Administration”](#) describes the tools available to administer STREAMS.

[Chapter 6, “Pipes and Queues”](#) describes communication between processes using STREAMS-based pipes and named pipes.



# ◆◆◆ CHAPTER 1

## Overview of STREAMS

---

This chapter provides a foundation for later chapters. Background and simple definitions are followed by an overview of the STREAMS mechanisms. Because the application developer is concerned with a different subset of STREAMS interfaces than the kernel-level developer, application and kernel levels are described separately.

- [“STREAMS Definitions” on page 22](#)
- [“When to Use STREAMS” on page 25](#)
- [“How STREAMS Works – Application Interface” on page 26](#)
- [“How STREAMS Works at the Kernel Level” on page 29](#)
- [“Service Interfaces” on page 35](#)

## What Is STREAMS?

STREAMS is a general, flexible programming model for UNIX system communication services. STREAMS defines standard interfaces for character input/output (I/O) within the kernel, and between the kernel and the rest of the UNIX system. The mechanism consists of a set of system calls, kernel resources, and kernel routines.

STREAMS enables you to create modules to provide standard data communications services and then manipulate the modules on a stream. From the application level, modules can be dynamically selected and interconnected. No kernel programming, compiling, and link editing are required to create the interconnection.

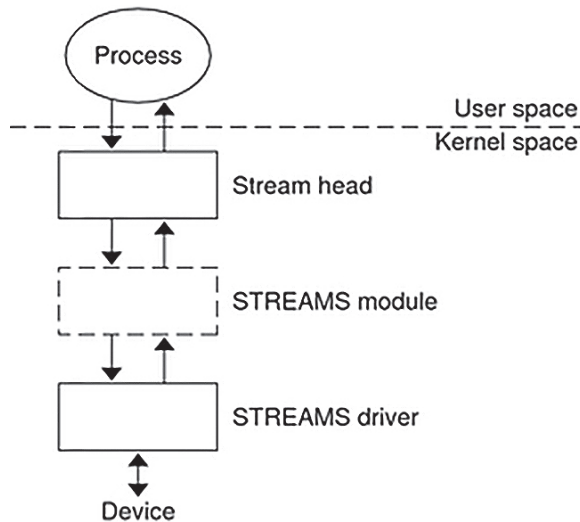
STREAMS provides an effective environment for kernel services and drivers requiring modularity. STREAMS parallels the layering model found in networking protocols. For example, STREAMS is suitable for:

- Implementing network protocols
- Developing character device drivers
- Developing network controllers (for example, for an Ethernet card)

- I/O terminal services

The fundamental STREAMS unit is the *stream*. A stream is a full-duplex bidirectional data-transfer path between a process in user space and a STREAMS driver in kernel space. A stream has three parts: a stream head, zero or more modules, and a driver.

**FIGURE 1** Simple Stream



## STREAMS Definitions

The capitalized word "STREAMS" refers to the STREAMS programming model and facilities. The word "stream" refers to an instance of a full-duplex path using the model and facilities between a user application and a driver.

### Stream as a Data Path

A stream is a data path that passes data in both directions between a STREAMS driver in kernel space, and a process in user space. An application creates a stream by opening a STREAMS device (see [Figure 1, "Simple Stream,"](#) on page 22).

## Stream Head

A stream head is the end of the stream nearest the user process. It is the interface between the stream and the user process. When a STREAMS device is first opened, the stream consists of only a stream head and a STREAMS driver.

## STREAMS Module

A STREAMS module is a defined set of kernel-level routines and data structures. A module does "black-box" processing on data that passes through it. For example, a module converts lowercase characters to uppercase, or adds network routing information. A STREAMS module is dynamically pushed on the stream from the user level by an application. Full details on modules and their operation are covered in [Chapter 10, "STREAMS Modules"](#).

## STREAMS Device Driver

A STREAMS device driver is a character device driver that implements the STREAMS interface. A STREAMS device driver exists below the stream head and any modules. It can act on an external I/O device, or it can be an internal software driver, called a *pseudo-device driver*. The driver transfers data between the kernel and the device. The interfaces between the driver and kernel are known collectively as the Oracle Solaris operating environment Device Driver Interface/Driver Kernel Interface (Oracle Solaris operating environment DDI/DKI). The relationship between the driver and the rest of the UNIX kernel is explained in [Writing Device Drivers for Oracle Solaris 11.3](#). Details of device drivers are explained in [Chapter 9, "STREAMS Drivers"](#).

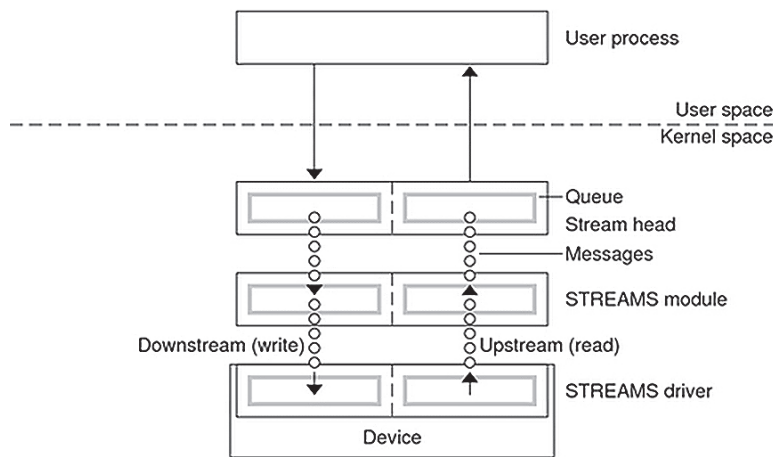
## STREAMS Data

Data on a stream is passed in the form of messages. Messages are the means by which all I/O is done under STREAMS. Each stream head, STREAMS module, and driver has a *read side* and a *write side*. When messages go from one module's read side to the next module's read side, they are said to be traveling upstream. Messages passing from one module's write side to the next module's write side are said to be traveling downstream. Kernel-level operation of messages is discussed in ["Message Components" on page 31](#).

## Message Queues

Each stream head, driver, and module has its own pair of queues, one queue for the read side and one queue for the write side. Messages are ordered into queues, generally on a first-in, first-out basis (FIFO), according to priorities associated with them. Kernel-level details of queues are covered in “Structure of a Message Queue” on page 33.

**FIGURE 2** Messages Passing Using Queues



## Communicating With a STREAMS Device

To communicate with a STREAMS device, an application's process uses `read(2)`, `write(2)`, `getmsg(2)`, `getpmsg(2)`, `putmsg(2)`, `putpmsg(2)`, and `ioctl(2)` to transmit or receive data on a stream.

From the command line, configure a stream with `autopush(1M)`. From within an application, configure a stream with `ioctl(2)` as described in `streamio(7I)`.

The `ioctl(2)` interface performs control operations on and through device drivers that cannot be done through the `read(2)` and `write(2)` interfaces. `ioctl(2)` operations include pushing and popping modules on and off the stream, flushing the stream, and manipulating signals and options. Certain `ioctl(2)` commands for STREAMS operate on the whole stream, not just



the module or driver. The [streamio\(7I\)](#) man page describes STREAMS [ioctl\(2\)](#) commands. [Chapter 4, “Application Access to the STREAMS Driver and Module Interfaces”](#) details interstream communications.

## STREAMS Multiplexing

The modularity of STREAMS allows one or more upper streams to route data into one or more lower streams. This process is defined as multiplexing (mux). Example configurations of multiplexers are described in [“Configuring Multiplexed Streams” on page 34](#).

## STREAMS Polling

Polling within STREAMS enables a user process to detect events occurring at the stream head, specifying the event to look for and the amount of time to wait for it to happen. An application might need to interact with multiple streams. The [poll\(2\)](#) system call enables applications to detect events that occur at the head of one or more streams. [Chapter 3, “STREAMS Application-Level Mechanisms”](#) describes polling.

## Message Transfer Flow Control

Flow control regulates the rate of message transfer between the user process, stream head, modules, and driver. With flow control, a module that cannot process data at the rate being sent can queue the data to avoid flooding modules upstream. Flow control is local to each module or driver, and is voluntary. [Chapter 8, “STREAMS Kernel-Level Mechanisms”](#) describes flow control.

## When to Use STREAMS

The STREAMS framework is most useful when modularity and configurability are issues. For example, network drivers, terminal drivers, and graphics I/O device drivers benefit from using STREAMS. Modules can be pushed (added) and popped (removed) to create desired program behavior.

STREAMS is general enough to provide modularity between a range of protocols. It is a major component in networking support utilities for UNIX System V because it facilitates communication between network protocols.

## How STREAMS Works – Application Interface

An application opens a STREAMS device, which creates the stream head to access the device driver. The stream head packages the data from the user process into STREAMS messages, and passes it downstream into kernel space. One or more cooperating modules can be pushed on a stream between the stream head and driver to customize the stream and perform any of a range of tasks on the data before passing it on. On the other hand, a stream might consist solely of the stream head and driver, with no module at all.

### Opening a Stream

To a user application, a STREAMS device resembles an ordinary character I/O device, as it has one or more nodes associated with it in the file system, and is opened by calling `open(2)`.

The file system represents each device as a special file. There is an entry in the file for the major device number, identifying the actual device driver that will activate the device. There are corresponding separate minor device numbers for each instance of a particular device, for example, for a particular port on a serial card, or a specific pseudo-terminal such as those used by a windowing application.

Different minor devices of a driver cause a separate stream to be connected between a user process and the driver. The first open call creates the stream; subsequent open calls respond with a file descriptor referencing that stream. If the same minor device is opened more than once, only one stream is created.

However, drivers can support a user process getting a dedicated stream without the application distinguishing which minor device is used. In this case, the driver selects any unused minor device to be used by the application. This special use of a minor device is called *cloning*. [Chapter 9, “STREAMS Drivers”](#) describes properties and behavior of clone devices.

Once a device is opened, a user process can send data to the device by calling `write(2)`, and receive data from the device by calling `read(2)`. Access to STREAMS drivers using read and write is compatible with the traditional character I/O mechanism. STREAMS-specific applications also can call `getmsg(2)`, `getpmsg(2)`, `putmsg(2)`, and `putpmsg(2)` to pass data to and from the stream.

## Closing a Stream

The `close(2)` interface closes a device and dismantles the associated stream when the last open reference to the stream is closed. The `exit(2)` interface terminates the user process and closes all open files.

## Controlling Data Flow

If the stream exerts flow control, the `write(2)` call blocks until flow control has been relieved, unless the file has been specifically advised not to. `open(2)` or `fcntl(2)` can be used to control this nonblocking behavior.

## Simple Stream Example

[Example 1, “Simple Stream,” on page 27](#) shows how an application might use a simple stream. Here, the user program interacts with a communications device that provides point-to-point data transfer between two computers. Data written to the device is transmitted over the communications line, and data arriving on the line is retrieved by reading from the device.

### EXAMPLE 1 Simple Stream

```
#include <sys/fcntl.h>
#include <stdio.h>

main()
{
    char buf[1024];
    int fd, count;

    if ((fd = open("/dev/ttya", O_RDWR)) < 0) {
        perror("open failed");
        exit(1);
    }
    while ((count = read(fd, buf, sizeof(buf))) > 0) {
        if (write(fd, buf, count) != count) {
            perror("write failed");
            break;
        }
    }
}
```

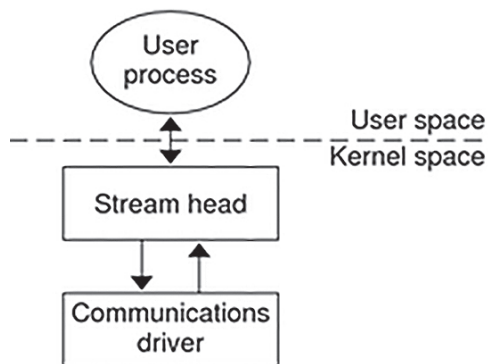
```

    }
  }
  exit(0);
}

```

In this example, `/dev/ttya` identifies an instance of a serial communications device driver. When this file is opened, the system recognizes the device as a STREAMS device and connects a stream to the driver. Figure 3, “Stream to Communications Driver,” on page 28 shows the state of the stream following the call to `open(2)`.

**FIGURE 3** Stream to Communications Driver



This example illustrates a simple loop, with the application reading data from the communications device, then writing the input back to the same device, echoing all input back over the communications line. The program reads up to 1024 bytes at a time, and then writes the number of bytes just read.

`read(2)` returns the available data, which can contain fewer than 1024 bytes. If no data is currently available at the stream head, `read(2)` blocks until data arrives.

---

**Note** - The application program must loop on `read(2)` until the desired number of bytes are read. The responsibility for the application getting all the bytes it needs is that of the application developer, not the STREAMS facilities.

---

Similarly, the `write(2)` call attempts to send the specified number of bytes to `/dev/ttya`. The driver can implement a flow-control mechanism that prevents a user from exhausting system resources by flooding a device driver with data.

## How STREAMS Works at the Kernel Level

Developers implementing STREAMS device drivers and STREAMS modules use a set of STREAMS-specific functions and data structures. This section describes some basic kernel-level STREAMS concepts.

### Creating the Stream Head

The stream head is created when a user process opens a STREAMS device. It translates the interface calls of the user process into STREAMS messages, which it sends to the stream. The stream head also translates messages originating from the stream into a form that the application can process. The stream head contains a pair of queues; one queue passes messages upstream from the driver, and the other passes messages to the driver. The queues are the pipelines of the stream, passing data between the stream head, modules, and driver.

### Message Processing

A STREAMS module does processing operations on messages passing from a stream head to a driver or from a driver to a stream head. For example, a TCP module might add header information to the front of data passing downstream through it. Not every stream requires a module. There can be zero or more modules in a stream.

Modules are stacked (pushed) onto and unstacked (popped) from a stream. Each module must provide `open()`, `close()`, and `put()` entries and provides a `service()` entry if the module supports flow control.

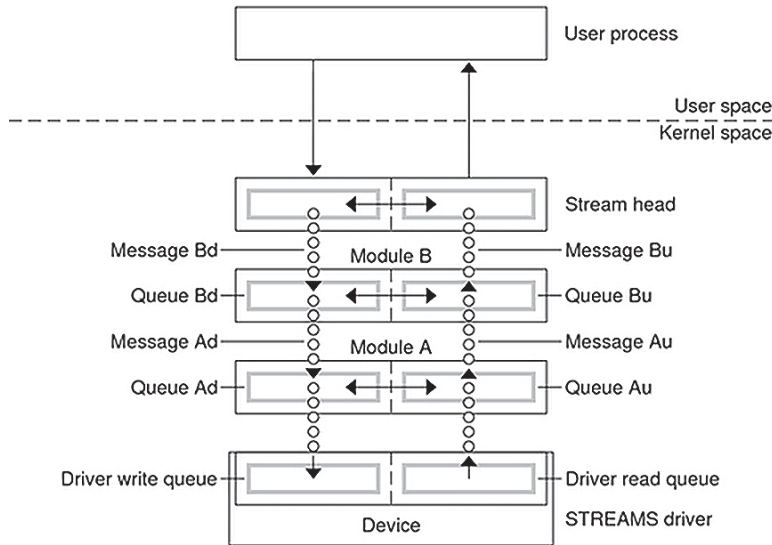
Like the stream head, each module contains a pair of queue structures, although a module only queues data if it is implementing flow control. [Figure 4, “Stream in More Detail,” on page 30](#) shows the queue structures `Au/Ad` associated with Module A (“u” for upstream “d” for downstream) and `Bu/Bd` associated with Module B.

The two queues operate completely independently. Messages and data can be shared between upstream and downstream queues only if the module functions are specifically programmed to share data.

Within a module, one queue can refer to the messages and data of the opposing queue. A queue can directly refer to the queue of the successor module (adjacent in the direction of message flow). For example, in [Figure 4, “Stream in More Detail,” on page 30](#), `Au` (the upstream

queue from Module A) can reference Bu (the upstream queue from Module B). Similarly Queue Bd can reference Queue Ad.

**FIGURE 4** Stream in More Detail



Both queues in a module contain messages, processing procedures, and private data.

Messages	Blocks of data that pass through, and can be operated on by, a module.
Processing procedures	Individual put and service routines on the read and write queues process messages. The put procedure passes messages from one queue to the next in a stream and is required for each queue. It can do additional message processing. The service procedure is optional and does deferred processing of messages. These procedures can send messages either upstream or downstream. Both procedures can also modify the private data in their module.
Private data	Data private to the module (for example, state information and translation tables).
Open and close	Entry points must be provided. The open routine is invoked when the module is pushed onto the stream or the stream is reopened. The close is invoked when the module is popped or the stream is closed.

A module is initialized by either an `I_PUSH ioctl(2)`, or pushed automatically during an open if a stream has been configured by the `autopush(1M)` mechanism, or if that stream is reopened.

A module is disengaged by `close` or the `I_POP ioctl(2)`.

## Structure of a STREAMS Device Driver

STREAMS device drivers are structurally similar to STREAMS modules and character device drivers. The STREAMS interfaces to driver routines are identical to the interfaces used for modules. For example, they must both declare `open`, `close`, `put`, and `service` entry points.

There are some significant differences between modules and drivers.

A driver:

- Must be able to handle interrupts from the device.
- Is represented in file system by a character-special file.
- Is initialized and disengaged using `open(2)` and `close(2)`. `open(2)` is called when the device is first opened and for each reopen of the device. `close(2)` is only called when the last reference to the stream is closed.

Both drivers and modules can pass signals, error codes, and return values to processes using message types provided for that purpose.

## Message Components

All kernel-level input and output under STREAMS is based on messages. STREAMS messages are built in sets of three:

- A message header structure (`msgb(9S)`) that identifies the message instance.
- A data block structure (`datab(9S)`) points to the data of the message.
- The data itself

Each data block and data pair can be referenced by one or more message headers. The objects passed between STREAMS modules are pointers to messages. Messages are sent through a stream by successive calls to the `put` procedure of each module or driver in the stream. Messages can exist as independent units, or on a linked list of messages called a *message queue*. STREAMS utility routines enable developers to manipulate messages and message queues.

All STREAMS messages are assigned message types to indicate how they will be used by modules and drivers and how they will be handled by the stream head. Message types are

assigned by the stream head, driver, or module when the message is created. The stream head converts the system calls `read`, `write`, `putmsg`, and `putpmsg` into specified message types, and sends them downstream. It responds to other calls by copying the contents of certain message types that were sent upstream.

## Message Queueing Priority

Sometimes messages with urgent information, such as a break or alarm conditions, must pass through the stream quickly. To accommodate them, STREAMS uses message queueing priority, and high-priority message types. All messages have an associated priority field. Normal (ordinary) messages have a priority of zero, while priority messages have a priority band greater than zero. High-priority messages have a high priority by virtue of their message type, are not blocked by STREAMS flow control, and are processed ahead of all ordinary messages on the queue.

Nonpriority, ordinary messages are placed at the end of the queue following all other messages that can be waiting. Priority messages can be either high priority or priority band messages. High-priority messages are placed at the head of the queue but after any other high-priority messages already in the queue. Priority band messages enable support of urgent, expedited data.

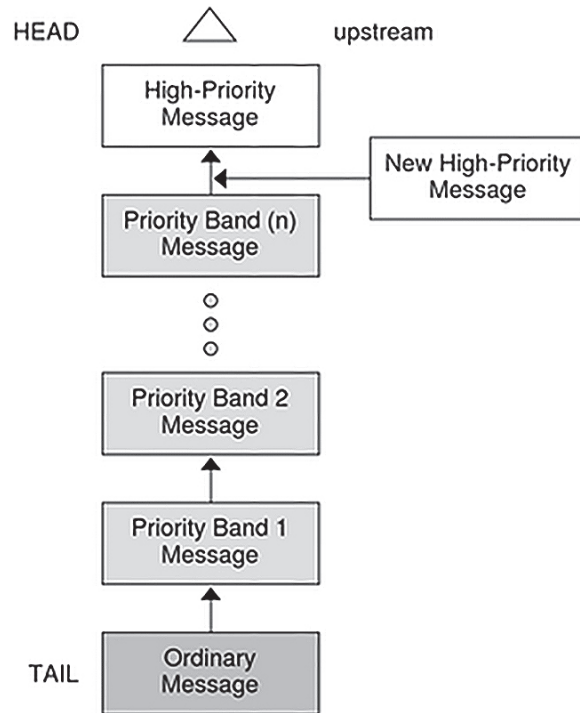
Priority band messages are placed in the queue in the following order:

- After high-priority messages but before ordinary messages.
- Below all messages that have a priority greater than or equal to their own.
- Above any messages with a lesser priority.

[Figure 5, “Message Priorities,” on page 33](#) shows the message queueing priorities.



FIGURE 5 Message Priorities



High-priority message types cannot be changed into normal or priority band message types. Certain message types come in equivalent high-priority or ordinary pairs (for example, `M_PCPROTO` and `M_PROTO`), so that a module or device driver can choose between the two priorities when sending information.

## Structure of a Message Queue

A *queue* is an interface between a STREAMS driver or module and the rest of the stream (see [queue\(9S\)](#)). The queue structure holds the messages, and points to the STREAMS processing routines that should be applied to a message as it travels through a module. STREAMS modules and drivers must explicitly place messages on a queue, for example, when flow control is used.

Each open driver or pushed module has a pair of queues allocated, one for the read side and one for the write side. Queues are always allocated in pairs. Kernel routines are available to access each queue's mate. The queue's `put` or `service` procedure can add a message to the current queue. If a module does not need to queue messages, its `put` procedure can call the neighboring queue's `put` procedure.

The queue's `service` procedure deals with messages on the queue, usually by removing successive messages from the queue, processing them, and calling the `put` procedure of the next module in the stream to pass the message to the next queue. [Chapter 7, “STREAMS Framework – Kernel Level”](#) discusses the `service` and `put` procedures in more detail.

Each queue also has a pointer to an `open` and `close` routine. The `open` routine of a driver is called when the driver is first opened and on every successive open of the stream. The `open` routine of a module is called when the module is first pushed on the stream and on every successive open of the stream. The `close` routine of the module is called when the module is popped (removed) off the stream, or at the time of the final close. The `close` routine of the driver is called when the last reference to the stream is closed and the stream is dismantled.

## Configuring Multiplexed Streams

Previously, streams were described as stacks of modules, with each module (except the head) connected to one upstream module and one downstream module. While this can be suitable for many applications, others need the ability to multiplex streams in a variety of configurations. Typical examples are terminal window facilities, and internetworking protocols (that might route data over several subnetworks).

An example of a multiplexer is a module that multiplexes data from several upper streams to a single lower stream. An upper stream is one that is upstream from the multiplexer, and a lower stream is one that is downstream from the multiplexer. A terminal windowing facility might be implemented in this fashion, where each upper stream is associated with a separate window.

A second type of multiplexer might route data from a single upper stream to one of several lower streams. An internetworking protocol could take this form, where each lower stream links the protocol to a different physical network.

A third type of multiplexer might route data from one of many upper streams to one of many lower streams.

The STREAMS mechanism supports the multiplexing of streams through special pseudo-device drivers. A user can activate a linking facility mechanism within the STREAMS framework to dynamically build, maintain, and dismantle multiplexed stream configurations. Simple

configurations like those shown previously can be combined to form complex, multilevel multiplexed stream configurations.

STREAMS multiplexing configurations are created in the kernel by interconnecting multiple streams. Conceptually, a multiplexer can be divided into two components—the upper multiplexer and the lower multiplexer. The lower multiplexer acts as a stream head for one or more lower streams. The upper multiplexer acts as a device for one or more upper streams. How data is passed between the upper and lower multiplexer is up to the implementation. [Chapter 13, “STREAMS Multiplex Drivers”](#) covers implementing multiplexers.

## Multithreading the Kernel

The Oracle Solaris operating environment kernel is multithreaded to make effective use of symmetric shared-memory multiprocessor computers. All parts of the kernel, including STREAMS modules and drivers, must ensure data integrity in a multiprocessing environment. For the most part, developers must ensure that concurrently running kernel threads do not attempt to manipulate the same data at the same time. The STREAMS framework provides multithreaded (MT) STREAMS perimeters, which provides the developer with control over the level of concurrency allowed in a module. The DDI/DKI provides several advisory locks for protecting data. See [Chapter 12, “Multithreaded STREAMS”](#) for more information.

## Service Interfaces

Using STREAMS, you can create modules that present a service interface to any neighboring module or device driver, or between the top module and a user application. A service interface is defined in the boundary between two neighbors.

In STREAMS, a service interface is a set of messages and the rules that allow these messages to pass across the boundary. A module using a service interface, for example, receives a message from a neighbor and responds with an appropriate action (perhaps sending back a request to retransmit) depending on the circumstances.

You can stack a module anywhere in a stream, but connecting sequences of modules with compatible protocol service interfaces is better. For example, a module that implements an X.25 protocol layer, as shown in [Figure 6, “Protocol Module Portability,”](#) on page 37, presents a protocol service interface at its input and output sides. In this case, other modules should be connected to the input and output side if they have the compatible X.25 service interface only.

## Manipulating Modules

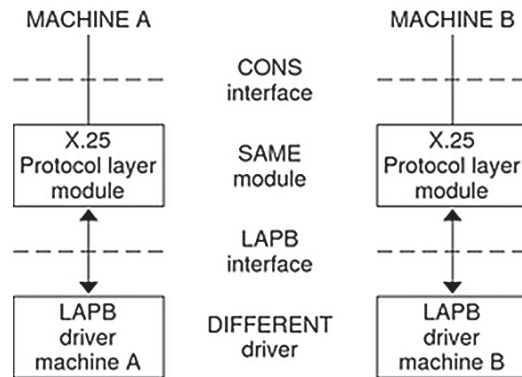
With STREAMS, you can manipulate modules from the user application level, interchange modules with common service interfaces, and change the service interface to a STREAMS user process. These capabilities yield further benefits when working with networking services and protocols:

- User-level programs can be independent of underlying protocols and physical communication media.
- Network architectures and higher-level protocols can be independent of underlying protocols, drivers, and physical communication media.
- Higher-level services can be created by selecting and connecting lower-level services and protocols.

The following examples show the benefits of STREAMS capabilities for creating service interfaces and manipulating modules. These examples are only illustrations and do not necessarily reflect real situations.

## Protocol Portability

[Figure 6, “Protocol Module Portability,” on page 37](#) shows how an X.25 protocol module can work with different drivers on different systems by using compatible service interfaces. The X.25 protocol module interfaces are Connection Oriented Network Service (CONS) and Link Access Protocol – Balanced (LAPB).

**FIGURE 6** Protocol Module Portability

## Protocol Substitution

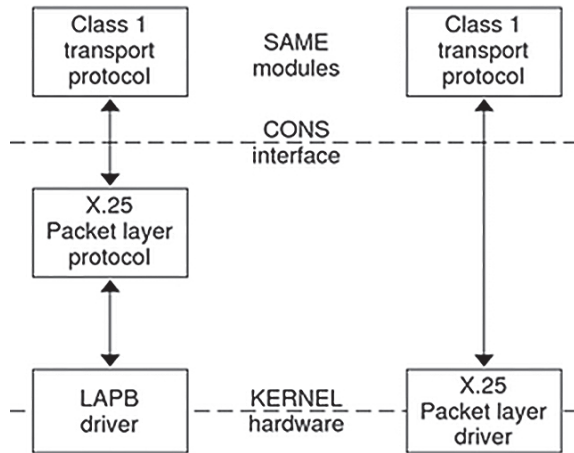
You can alternate protocol modules and device drivers on a system if the alternates are implemented to an equivalent service interface.

## Protocol Migration

Figure 7, “Protocol Migration,” on page 38 shows how STREAMS can move functions between kernel software and front-end firmware. A common downstream service interface lets the transport protocol module be independent of the number or type of modules below it. The same transport module will connect without modification to either an X.25 module or X.25 driver that has the same service interface.

By shifting functions between software and firmware, you can produce cost-effective, functionally equivalent systems over a wide range of configurations. This means you can swiftly incorporate technological advances. The same transport protocol module can be used on a lower-capacity system, where economics preclude the use of front-end hardware, and also on a larger scale system where a front-end is economically justified.

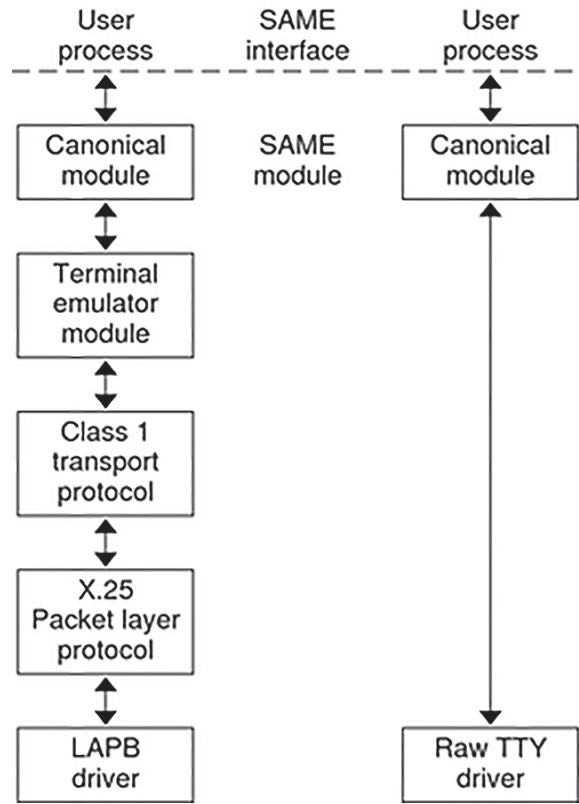
**FIGURE 7** Protocol Migration



## Module Reusability

Figure 8, “Module Reusability,” on page 39 shows the same canonical module (for example, one that provides delete and kill processing on character strings) reused in two different streams. This module would typically be implemented as a filter, with no service interface. In both cases, a TTY interface is presented to the stream's user process because the module is nearest the stream head.

FIGURE 8 Module Reusability







## STREAMS Application-Level Components

---

This chapter shows how to construct, use, and dismantle a stream using STREAMS-related system calls. It provides a general discussion of the relationship between STREAMS components in a simple streams example.

- [“STREAMS Interfaces” on page 41](#)
- [“Opening a STREAMS Device File” on page 42](#)
- [“Queue Allocation” on page 44](#)
- [“Adding and Removing Modules” on page 44](#)
- [“Closing the Stream” on page 44](#)
- [“Stream Construction Example” on page 45](#)

### STREAMS Interfaces

The stream head provides the interface between the stream and an application program. After a stream is opened, STREAMS-related system calls enable a user process to insert and delete (push and pop) modules. The user process can then communicate with and control the operation of the stream head, modules, and drivers. The stream head handles most of the system calls so that the related processing need not be incorporated in a module or driver.

### STREAMS System Calls

Table 2-1 lists some of the basic STREAMS-related system calls.

**TABLE 1** Summary of Basic STREAMS-related System Calls

Function	Description
<a href="#">open(2)</a>	Opens a stream
<a href="#">close(2)</a>	Closes a stream

Function	Description
<a href="#">read(2)</a>	Reads data from a stream
<a href="#">write(2)</a>	Writes data to a stream
<a href="#">ioctl(2)</a>	Controls a stream
<a href="#">getmsg(2)</a>	Receives a message at the stream head
<a href="#">getpmsg(2)</a>	Receives a priority message at the stream head
<a href="#">putmsg(2)</a>	Sends a message downstream
<a href="#">putpmsg(2)</a>	Sends a priority message downstream
<a href="#">poll(2)</a>	Identifies files on which a user can send or receive messages, or on which certain events have occurred (not restricted to STREAMS, although historically it was)
<a href="#">pipe(2)</a>	Creates a bidirectional channel that provides a communication path between multiple processes

---

**Note** - Sections 1, 2, 3, 7, and 9 of the online manual pages (man pages) contain all the STREAMS information.

---

## Action Summary

The [open\(2\)](#) system call recognizes a STREAMS special file and creates a stream to the specified driver. A user process can receive and send data on STREAMS files using [read\(2\)](#) and [write\(2\)](#) in the same way as with traditional character files. [ioctl\(2\)](#) lets users perform functions specific to a particular device. STREAMS [ioctl\(2\)](#) commands (see the [streamio\(7I\)](#) man page) support a variety of functions to access and control streams. The final [close\(2\)](#) on a stream dismantles it.

The [poll\(2\)](#) system call provides a mechanism for multiplexing input/output over a set of file descriptors that reference open files. [putmsg\(2\)](#) and [getmsg\(2\)](#) and the [putpmsg\(2\)](#) and [getpmsg\(2\)](#) send and receive STREAMS messages, and can act on STREAMS modules and drivers through a service interface.

## Opening a STREAMS Device File

You can open a STREAMS device file by calling `open()` or by letting the driver open itself as a clone device.

To construct a stream, call `open()` and open a STREAMS special file. If the `open()` call is the initial file open, a stream is created. There is one stream for each major or minor device pair.

If this `open()` is not the initial open of this stream, the open procedures of the driver and all pushable modules on the stream are called.

Sometimes a user process needs to connect a new stream to a driver regardless of the minor device is used to access the driver. Instead of the user process polling for an available minor device node, STREAMS provides a facility called *clone open*. If a STREAMS driver is implemented as a clone device, a single node in the file system may be opened to access any unused device that the driver controls. This special node guarantees that the user is allocated a separate stream to the driver for every `open()` call. Each stream is associated with an unused major or minor device, so the total number of streams that can connect to a particular clone driver is limited to the number of minor devices configured for the driver.

Clone devices are used in a networking environment where a protocol pseudo-device driver requires each user to open a separate stream to establish communication.

You can open a clone device in two ways. The first is to create a node with the major number of the clone device (--) and a minor number corresponding to the major number of the device to be cloned. For example `/dev/ps0` might have a major number of 50 and a minor number of 0 for normal opens. The clone device may have a major number of 40. By creating a node `/dev/ps` with a major number of 40 and a minor number of 50, a clonable device is created. In this case, the driver is passed a special flag (`CLONEOPEN`) that tells it to return a unique minor device number.

The second way is to have the driver open itself as a clone device, that is, the driver returns a unique minor number.

When a stream is already open, further opens of the same device call the `open()` routines of all modules and the driver on that stream. In this case, a driver is opened and a module is pushed on a stream. When a push occurs, the module `open()` routine is called. If another open of the same device is made, the `open()` routine of the module is called, followed by the `open()` routine of the driver. This is opposite to the initial order of opens when the stream is created.

STREAMS also offers *autopush*. On an `open()` system call, a preconfigured list is checked for modules to be pushed. All modules in this list are pushed before the `open()` returns. For more information, see the [autopush\(1M\)](#), [open\(2\)](#) and [sad\(7D\)](#) man pages.

## Initializing Details

There is one stream head per stream. The stream head, which is initiated by the first `open()` call, is created from a data structure and a pair of queue structures. The content of the stream head and queues is initialized with predetermined values, including the stream head processing procedures.

## Queue Allocation

STREAMS queues are allocated in pairs. One queue is always the upstream or read-side; the other is the downstream or write-side. These queues hold the messages, and tell the kernel which processing routines apply to each message passing through a module. The queue structure type is `queue_t`. For more information about the fields in the queue data structure, see the [queue\(9S\)](#) man page.

## Adding and Removing Modules

As part of constructing a stream, a module can be added (pushed) with an `I_PUSH open()` call. The push inserts a module beneath the stream head. Because of the similarity of STREAMS components, the push operation is similar to the driver `open`.

Each push of a module is independent, even in the same stream. If the same module is pushed more than once on a stream, there are multiple occurrences of the module in the stream. The total number of pushable modules that may be contained on any one stream is limited by the kernel parameter `nstrpush`.

An `I_POP ioctl()` system call removes (pops) the module immediately below the stream head. The pop calls the module close procedure. On return from the module close, any messages left on the module's message queues are freed (deallocated). The stream head then connects to the component previously below the popped module and releases the module's queue pair. For more information, see the [ioctl\(2\)](#) and [streamio\(7I\)](#) man pages.

`I_PUSH` and `I_POP` enable a user process to dynamically alter the configuration of a stream by pushing and popping modules as required. For example, a module may be removed and a new one inserted below the stream head. Then the original module can be pushed back after the new module has been pushed.

You can also restrict which modules can be popped with `I_POP` calls by placing an anchor in the stream at any module you want to "lock down." The `I_ANCHOR ioctl` prevents a module from being popped except by a privileged process. For more information about working with anchors, see "[STREAMS Anchors](#)" on page 258.

## Closing the Stream

The last close to a STREAMS device dismantles the stream. Dismantling consists of popping any modules on the stream and closing the driver. Before a module is popped, the `close` may

delay to allow any messages on the write message queue of the module to be drained by the module processing. Similarly, before the driver is closed, the `close` may delay to allow any messages on the write message queue of the driver to be drained by the driver processing. If `O_NDELAY` or `O_NONBLOCK` is clear, `close` waits up to 15 seconds for each module to drain and up to 15 seconds for the driver to drain. The default close delay is 15 seconds. The close delay can be changed on a per-stream basis with the `I_SETCLTIME` `ioctl`. For more information, see the `close(2)`, `open(2)`, `fcntl(2)`, and `ioctl(2)` man pages.

The close delay is independent of any delay that the module or driver's `close()` routine itself chooses to impose. If `O_NDELAY` or `O_NONBLOCK` is set, the pop is performed immediately and the driver is closed without delay.

Messages can remain queued, if the flow control is inhibiting execution of the write queue service procedure. When all modules are popped and any wait for the driver to drain is completed, the driver `close()` routine is called. On return from the driver `close()`, any messages left on the driver's queues are freed, and the queue and stream head structures are released.

## Stream Construction Example

This example extends the communications device-echoing example shown in “[Simple Stream Example](#)” on page 27. The module in this example converts (change case, delete, duplicate) selected alphabetic characters.

---

**Note** - The complete listing of the module is on the CD.

---

## Inserting Modules

An application can insert various modules into a stream to process and manipulate data that pass between a user process and the driver. In the example, the character conversion module receives a command and a corresponding string of characters from the user. All data passing through the module is inspected for occurrences of characters in this string. Whatever operation the command requires is performed on all characters that match the string.

**EXAMPLE 2**    Module Header File Definition

```
#include <string.h>
```

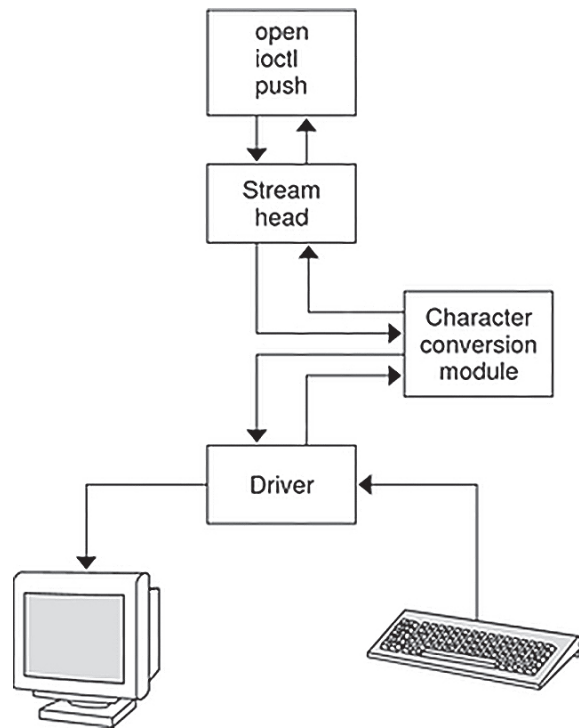
```
#include <fcntl.h>
#include <stropts.h>
#define BUFLLEN 1024
/*
 * These definitions would typically be
 * found in a header file for the module
 */
#define XCASE 1 /* change alphabetic case of char */
#define DELETE 2 /* delete char */
#define DUPLICATE 3 /* duplicate char */
main()
{
    char buf[BUFLLEN];
    int fd, count;
    struct strioctl strioctl;
```

The first step is to establish a stream to the communications driver and insert the character conversion module. This is accomplished by first opening (`fd = open`) then calling `ioctl()` to push the `chconv` module, as shown in the sequence of system calls in [Example 3, “Pushing a Module,” on page 46](#).

**EXAMPLE 3** Pushing a Module

```
if ((fd = open("/dev/term/a", O_RDWR)) < 0) {
    perror("open failed");
    exit(1);
}
if (ioctl(fd, I_PUSH, "chconv") < 0) {
    perror("ioctl I_PUSH failed");
    exit(2);
}
```

The `I_PUSH ioctl(2)` call directs the stream head to insert the character conversion module between the driver and the stream head. The example illustrates an important difference between STREAMS drivers and modules. Drivers are accessed through a node or nodes in the file system (in this case `/dev/term/a`) and are opened just like other devices. Modules, on the other hand, are not devices. Identify modules through a separate naming convention, and insert them into a stream using `I_PUSH` or `autopush`. [Figure 9, “Pushing the Character Conversion Module,” on page 47](#) shows creation of the stream.

**FIGURE 9** Pushing the Character Conversion Module

Modules are stacked onto a stream and removed from a stream in last-in, first-out (LIFO) order. Therefore, if a second module is pushed onto this stream, it is inserted between the stream head and the character conversion module.

## Module and Driver Control

The next step in this example is to pass the commands and corresponding strings to the character conversion module. Call `ioctl()` to invoke the character conversion module.

[Example 4, “Processing `ioctl2`,” on page 48](#) uses the conventional `I_STR ioctl`, an indirect way of passing commands and data pointers. [Example 5, “`strioc` Structure,” on page 48](#) shows the data structure for `I_STR`.

Some systems support transparent `ioctl`s in which calls can be made directly. For example, a module calls `I_PUSH`. Both modules and drivers can process `ioctl`s without requiring user programs to first encapsulate them with `I_STR` (that is, the `ioctl`s in the examples would look like `ioctl(fd,DELETE,"AEIOU");`). This style of call works only for modules and drivers that have been converted to use the new facilities that also accept the `I_STR` form.

**EXAMPLE 4** Processing `ioctl2`

```
/* change all uppercase vowels to lowercase */
striocctl.ic_cmd = XCASE;
striocctl.ic_timeout = 0; /* default timeout (15 sec) */
striocctl.ic_dp = "AEIOU";
striocctl.ic_len = strlen(striocctl.ic_dp);
if (ioctl(fd, I_STR, &striocctl) < 0) {
    perror("ioctl I_STR failed");
    exit(3);
}
/* delete all occurrences of the chars 'x' and 'X' */
striocctl.ic_cmd = DELETE;
striocctl.ic_dp = "xX";
striocctl.ic_len = strlen(striocctl.ic_dp);
if (ioctl(fd, I_STR, &striocctl) < 0) {
    perror("ioctl I_STR failed");
    exit(4);
}
```

In [Example 4, “Processing `ioctl2`,” on page 48](#), the module changes all uppercase vowels to lowercase, and deletes all occurrences of either uppercase or lowercase "x". `ioctl(2)` requests are issued indirectly, using `I_STR` `ioctl(2)` (see [streamio\(7I\)](#)). The argument to `I_STR` must be a pointer to a `striocctl` structure, which specifies the request to be made to a module or driver. For more information about the structure, see [streamio\(7I\)](#).

**EXAMPLE 5** `striocctl` Structure

```
struct striocctl {
    int      ic_cmd;          /* ioctl request */
    int      ic_timeout;     /* ACK/NAK timeout */
    int      ic_len;         /* length of data argument */
    char     *ic_dp;         /* ptr to data argument */
};
```

where:

`ic_cmd`                      Identifies the command intended for a module or driver.



<code>ic_timeout</code>	Specifies the number of seconds an <code>I_STR</code> request should wait for an acknowledgement before timing out.
<code>ic_len</code>	The number of bytes of data to accompany the request.
<code>ic_dp</code>	Points to the data. In the example, two separate commands are sent to the character-conversion module: <ul style="list-style-type: none"> <li>▪ The first command sets <code>ic_cmd</code> to the command <code>XCASE</code> and sends as data the string "AEIOU." It converts all uppercase vowels in data passing through the module to lowercase.</li> <li>▪ The second command sets <code>ic_cmd</code> to the command <code>DELETE</code> and sends as data the string "xX." It deletes all occurrences of the characters "x" and "X" from data passing through the module.</li> </ul>

For each command, the value of `ic_timeout` is set to zero, which specifies the system default timeout value of 15 seconds. `ic_dp` points to the beginning of the data for each command; `ic_len` is set to the length of the data.

`I_STR` is intercepted by the stream head, which packages it into a message using information contained in the `strioc_t` structure, then sends the message downstream. Any module that cannot process the command in `ic_cmd` passes the message further downstream. The request is processed by the module or driver closest to the stream head that understands the command specified by `ic_cmd`. `ioctl(2)` blocks up to `ic_timeout` seconds, waiting for the target module or driver to respond with either a positive or negative acknowledgement message. If an acknowledgement is not received in `ic_timeout` seconds, `ioctl(2)` fails.

---

**Note** - Only one `ioctl(2)` can be active on a stream at one time, regardless of whether it is issued with `I_STR`. Further requests will block until the active `ioctl(2)` is acknowledged and the system call concludes.

---

The `strioc_t` structure is also used to retrieve the results, if any, of an `I_STR` request. If data is returned by the target module or driver, `ic_dp` must point to a buffer large enough to hold that data, and `ic_len` is set on return to indicate the amount of data returned. The remainder of this example is identical to [Example 1, “Simple Stream,” on page 27 in Chapter 1, “Overview of STREAMS”](#).

#### EXAMPLE 6 Process Input

```
while ((count = read(fd, buf, BUFLen)) > 0) {
    if (write(fd, buf, count) != count) {
        perror("write failed");
    }
}
```

```
        break;
    }
}
exit(0);
}
```

Notice that the character-conversion processing was realized with no change to the communications driver.

`exit` dismantles the stream before terminating the process. The character conversion module is removed from the stream automatically when it is closed. Alternatively, remove modules from a stream using `I_POP ioctl(2)` which is described in [streamio\(7I\)](#). This call removes the topmost module on the stream, and enables a user process to alter the configuration of a stream dynamically by popping modules as needed.

Several other `ioctl(2)` requests support STREAMS operations, such as determining if a given module is on a stream, or flushing the data on a stream. [streamio\(7I\)](#) describes these requests.

## STREAMS Application-Level Mechanisms

---

This chapter explains how components of a stream work together. It shows how the kernel interprets system calls being passed from an application, so that driver and module developers can know what structures are being passed.

This chapter discusses the following topics:

- “Message Handling” on page 51
- “Message Queueing and Priorities” on page 53
- “Input and Output Polling” on page 61
- “Stream as a Controlling Terminal” on page 67

### Message Handling

Messages are the communication medium between the user application process and the various components of the stream. This section describes the path in which the message travel and the changes that occur to them. For information about the underlying mechanics of the kernel, see [Chapter 8, “STREAMS Kernel-Level Mechanisms”](#).

### Modifying Messages

The `put()` and `srv()` interfaces process messages as they pass through the queue. Messages are generally processed by type, resulting in a modified message, one or more new messages, or no message at all. The message usually continues in the same direction it was passing through the queue, but can be sent in either direction. A `put()` procedure can place messages on its queue as they arrive, for later processing by the `srv()` procedure. For a more detailed explanation of `put(9E)` and `srv(9E)`, see [Chapter 8, “STREAMS Kernel-Level Mechanisms”](#).

Some kernel operations are explained here to show you how to manipulate the driver or module appropriately.

## Message Types

STREAMS messages differ according to their intended purpose and their queueing priority. The contents of certain message types can be transferred between a process and a stream using system calls. For more information about message types, see [Appendix A, “Message Types”](#).

## Control of Stream Head Processing

The stream head responds to a message by altering the processing associated with certain system calls. Six stream head characteristics can be modified. Four characteristics correspond to fields contained in queue (packet sizes – minimum and maximum, and watermarks – high and low). Packet sizes are discussed in this chapter. For more information about watermarks, see “[Flush Handling](#)” on page 81 in Chapter 4, “[Application Access to the STREAMS Driver and Module Interfaces](#)”.

## Read Options

The read options (`so_readopt`) specify two sets of three modes that can be set by the `I_SRDOPT` `ioctl`. Byte-stream mode approximately models pipe data transfer. Message nondiscard mode is similar to a TTY in canonical mode. For more information, see the [`ioctl\(2\)`](#) and [`streamio\(7I\)`](#) man pages.

The first set of bits, `RMODEMASK`, deals with data and message boundaries:

Byte-stream ( <code>RNORM</code> )	The <a href="#"><code>read(2)</code></a> call finishes when the byte count is satisfied, the stream head read queue becomes empty, or a zero length message is encountered. A zero length message is put back in the queue. A subsequent read returns 0 bytes.
Message non-discard ( <code>RMSGN</code> )	The <a href="#"><code>read(2)</code></a> call finishes when the byte count is satisfied or a message boundary is found, whichever comes first. Any data remaining in the message is put back on the stream head read queue.
Message discard ( <code>RMSGD</code> )	The <code>read()</code> call finishes when the byte count is satisfied or a message boundary is found. Any data remaining in the message is discarded up to the message boundary.

The second set of bits, `RPROTMASK`, specifies the treatment of protocol messages by the `read()` system call.

Normal protocol (RPROTNORM)	The <code>read()</code> call fails with <code>EBADMSG</code> if an <code>M_PROTO</code> or <code>M_PCPROTO</code> message is at the front of the stream head read queue. This is the default operation protocol.
Protocol discard (RPROTDIS)	The <code>read()</code> call discards any <code>M_PROTO</code> or <code>M_PCPROTO</code> blocks in a message, delivering the <code>M_DATA</code> blocks to the user.
Protocol data (RPROTDAT)	The <code>read()</code> call converts the <code>M_PROTO</code> and <code>M_PCPROTO</code> message blocks to <code>M_DATA</code> blocks, treating the entire message as data.

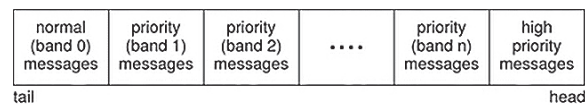
## Write Options

Send zero (I_SWROPT)	The <code>write(2)</code> mode is set using the value of the argument <code>arg</code> . Legal bit settings for <code>arg</code> are: <code>SNDZERO</code> – Send a zero-length message downstream when the write of 0 bytes occurs. To avoid sending a zero-length message when a write of 0 bytes occurs, this bit must not be set in <code>arg</code> . On failure, <code>errno</code> can be set to <code>EINVAL-arg</code> is above the legal value.
-------------------------	---

# Message Queueing and Priorities

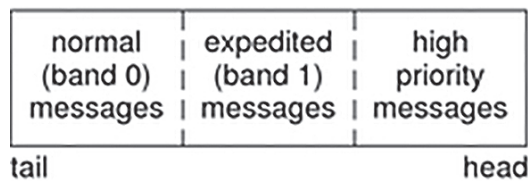
Any delay in processing messages causes message queues to grow. Queued messages are handled in a first-in, first-out (FIFO) manner. However, certain conditions require that associated messages reach their stream destination rapidly. For example, an error message. Therefore messages are assigned priorities using a priority band associated with each message. Ordinary messages have a priority of zero. High-priority messages are high priority by nature of their message type. Their priority band is ignored. By convention, they are not affected by flow control. [Figure 10, “Message Ordering in a Queue,” on page 53](#) shows how messages are ordered in a queue according to priority.

**FIGURE 10** Message Ordering in a Queue



When a message is queued, it is placed after the messages of the same priority already in the queue. In other words, FIFO within their order of queueing). This affects the flow-control parameters associated with the band of the same priority. Message priorities range from 0 (normal) to 255 (highest). This provides up to 256 bands of message flow within a stream. Expedited data can be implemented with one extra band of flow (priority band 1) of data. This is shown in [Figure 11, “Message Ordering With One Priority Band,” on page 54.](#)

**FIGURE 11** Message Ordering With One Priority Band



## Controlling Data Flow and Priorities

The `I_FLUSHBAND`, `I_CKBAND`, `I_GETBAND`, `I_CANPUT`, and `I_ATMARK` [ioctl\(2\)](#)s support multiple bands of data flow. The `I_FLUSHBAND` [ioctl\(2\)](#) allows a user to flush a particular band of messages. [“Flush Handling” on page 81](#) discusses it in more detail.

The `I_CKBAND` [ioctl\(2\)](#) checks if a message of a given priority exists on the stream head read queue. Its interface is:

```
ioctl (fd, I_CKBAND, pri);
```

The call returns 1 if a message of priority `pri` exists on the stream head read queue and 0 if no message of priority `pri` exists. If an error occurs, -1 is returned. Note that `pri` should be of type `int`.

The `I_GETBAND` [ioctl\(2\)](#) checks the priority of the first message on the stream head read queue. The interface is:

```
ioctl (fd, I_GETBAND, prip);
```

The call results in the integer referenced by `prip` being set to the priority band of the message on the front of the stream head read queue.

The `I_CANPUT ioctl()` checks if a certain band is writable. Its interface is:

```
ioctl (fd, I_CANPUT, pri);
```

The return value is 0 if the priority band `pri` is flow controlled, 1 if the band is writable, and -1 on error.

A module or driver can mark a message. This supports the ability of the Transmission Control Protocol (TCP) to indicate to the user the last byte of out-of-band data. Once marked, a message sent to the stream head causes the stream head to remember the message. A user can check whether the message on the front of its stream head read queue is marked with the `I_ATMARK ioctl(2)`. If a user is reading data from the stream head, there are multiple messages on the read queue, and one of those messages is marked, the `read(2)` terminates when it reaches the marked message and returns the data only up to the marked message. Successive reads can return the rest of the data. [Chapter 4, “Application Access to the STREAMS Driver and Module Interfaces”](#) discusses this in more detail.

The `I_ATMARK ioctl(2)` has the format:

```
ioctl (fd, I_ATMARK, flag);
```

where `flag` can be either `ANYMARK` or `LASTMARK`. `ANYMARK` indicates that the user wants to check whether any message is marked. `LASTMARK` indicates that the user wants to see whether the message is the one and only one marked in the queue. If the test succeeds, 1 is returned. On failure, 0 is returned. If an error occurs, -1 is returned.

## Accessing the Service Provider

The first routine presented, `inter_open`, opens the protocol driver device file specified by `path` and binds the protocol address contained in `addr` so that it can receive data. On success, the routine returns the file descriptor associated with the open stream; on failure, it returns -1 and sets `errno` to indicate the appropriate UNIX system error value. [Example 7, “inter\\_open Routine,” on page 55](#) shows the `inter_open` routine.

### EXAMPLE 7 `inter_open` Routine

```
inter_open (char *path, oflags, addr)
{
    int fd;
    struct bind_req bind_req;
    struct strbuf ctlbuf;
```

```
union primitives rcvbuf;
struct error_ack *error_ack;
int flags;

if ((fd = open(path, oflags)) < 0)
    return(-1);

/* send bind request msg down stream */

bind_req.PRIM_type = BIND_REQ;
bind_req.BIND_addr = addr;
ctlbuf.len = sizeof(struct bind_req);
ctlbuf.buf = (char *)&bind_req;

if (putmsg(fd, &ctlbuf, NULL, 0) < 0) {
    close(fd);
    return(-1);
}
}
```

After opening the protocol driver, `inter_open` packages a bind request message to send downstream. `putmsg()` is called to send the request to the service provider. The bind request message contains a control part that holds a `bind_req` structure, but it has no data part. `ctlbuf` is a structure of type `strbuf`, and is initialized with the primitive type and address. The `maxlen` field of `ctlbuf` is not set before calling `putmsg()`. That is because `putmsg()` ignores this field. The `dataptr` argument to `putmsg()` is set to `NULL` to indicate that the message contains no data part. The `flags` argument is 0, which specifies that the message is not a high-priority message.

After `inter_open` sends the bind request, it must wait for an acknowledgement from the service provider, as [Example 8, “Service Provider,” on page 56](#) shows.

**EXAMPLE 8** Service Provider

```
/* wait for ack of request */

ctlbuf.maxlen = sizeof(union primitives);
ctlbuf.len = 0;
ctlbuf.buf = (char *)&rcvbuf;
flags = RS_HIPRI;

if (getmsg(fd, &ctlbuf, NULL, &flags) < 0) {
    close(fd);
    return(-1);
}

/* did we get enough to determine type? */
```



```

if (ctlbuf.len < sizeof(long)) {
    close(fd);
    errno = EPROTO;
    return(-1);
}

/* switch on type (first long in rcvbuf) */
switch(rcvbuf.type) {
default:
    close(fd);
    errno = EPROTO;
    return(-1);

case OK_ACK:
    return(fd);

case ERROR_ACK:
    if (ctlbuf.len < sizeof(struct error_ack)) {
        close(fd);
        errno = EPROTO;
        return(-1);
    }
    error_ack = (struct error_ack *)&rcvbuf;
    close(fd);
    errno = error_ack->UNIX_error;
    return(-1);
}
}

```

`getmsg()` is called to retrieve the acknowledgement of the bind request. The acknowledgement message consists of a control part that contains either an `OK_ACK` or an `error_ack` structure, and no data part.

The acknowledgement primitives are defined as high-priority messages. Messages are queued in a first-in, first-out (FIFO) manner within their priority at the stream head. The STREAMS mechanism allows only one high-priority message per stream at the stream head at one time. Any additional high-priority messages are discarded on reaching the stream head. (There can be only one high-priority message present on the stream head read queue at any time.) High-priority messages are particularly suitable for acknowledging service requests when the acknowledgement must be placed ahead of any other messages at the stream head.

Before calling `getmsg()`, this routine must initialize the `strbuf` structure for the control part. `buf` must point to a buffer large enough to hold the expected control part, and `maxlen` must be set to indicate the maximum number of bytes this buffer can hold.

Because neither acknowledgement primitive contains a data part, the `dataptr` argument to `getmsg()` is set to `NULL`. The `flagsp` argument points to an integer containing the value

`RS_HIPRI`. This flag indicates that `getmsg()` must wait for a STREAMS high-priority message before returning. This catches the acknowledgement primitives that are priority messages. Otherwise, if the flag is zero, the first message is taken. With `RS_HIPRI` set, even if a normal message is available, `getmsg()` blocks until a high-priority message arrives.

On return from `getmsg()`, check the `len` field to ensure that the control part of the retrieved message is an appropriate size. The example then checks the primitive type and takes appropriate actions. An `OK_ACK` indicates a successful bind operation, and `inter_open` returns the file descriptor of the open stream. An `error_ack` indicates a bind failure, and `errno` is set to identify the problem with the request.

## Closing the Service Provider

The `inter_close()` routine in the service interface library which closes the stream to the service provider.

```
inter_close(fd)
{
    close(fd);
}
```

The routine closes the given file descriptor. This causes the protocol driver to free any resources associated with that stream. For example, the driver can unbind the protocol address that had previously been bound to that stream, thereby freeing that address for use by another service user.

## Sending Data to the Service Provider

The third routine, `inter_snd`, passes data to the service provider for transmission to the user at the address specified in `addr`. The data to be transmitted is contained in the buffer pointed to by `buf` and contains `len` bytes. On successful completion, this routine returns the number of bytes of data passed to the service provider; on failure, it returns `-1`.

### EXAMPLE 9 Using the `inter_snd` Routine

```
inter_snd(int fd, char *buf, int len, long *addr)
{
    struct strbuf ctlbuf;
    struct strbuf databuf;
```

```

struct unitdata_req unitdata_req;

unitdata_req.PRIM_type = UNITDATA_REQ;
unitdata_req.DEST_addr = addr;

ctlbuf.len = sizeof(struct unitdata_req);
ctlbuf.buf = (char *)&unitdata_req;
databuf.len = len;
databuf.buf = buf;

if (putmsg(fd, &ctlbuf, &databuf, 0) < 0)
    return(-1);
    return(len);
}

```

In this example, the data request primitive is packaged with both a control part and a data part. The control part contains a `unitdata_req` structure that identifies the primitive type and the destination address of the data. The data to be transmitted is placed in the data part of the request message.

Unlike the bind request, the data request primitive requires no acknowledgment from the service provider. In the example, this choice was made to minimize the overhead during data transfer. If the `putmsg()` call succeeds, this routine returns the number of bytes passed to the service provider.

## Receiving Data

The final routine in [Example 10, “Receiving Data,” on page 59](#), `inter_rcv()`, retrieves the next available data. `buf` points to a buffer where the data must be stored, `len` indicates the size of that buffer, and `addr` points to a long integer where the source address of the data is placed. On successful completion, `inter_rcv()` returns the number of bytes of retrieved data; on failure, it returns -1 and an appropriate UNIX system error value.

### EXAMPLE 10 Receiving Data

```

int inter_rcv (int fd, char *buf, int len, long *addr, int *errorp)
{
    struct strbuf ctlbuf;
    struct strbuf databuf;
    struct unitdata_ind unitdata_ind;
    int retval;
    int flagsp;

```

```
ctlbuf.maxlen = sizeof(struct unitdata_ind);
ctlbuf.len = 0;
ctlbuf.buf = (char *)&unitdata_ind;
databuf.maxlen = len;
databuf.len = 0;
databuf.buf = buf;
flagsp = 0;

if((retval=getmsg(fd,&ctlbuf,&databuf,&flagsp))<0) {
    *errorp = EIO;
    return(-1);
}
if (retval) {
    *errorp = EIO;
    return(-1)
}
if (unitdata_ind.PRIM_type != UNITDATA_IND) {
    *errorp = EPROTO;
    return(-1);
}
*addr = unitdata_ind.SRC_addr;
return(databuf.len);
}
```

`getmsg()` is called to retrieve the data indication primitive, where that primitive contains both a control and data part. The control part consists of a `unitdata_ind` structure that identifies the primitive type and the source address of the data sender. The data part contains the data itself. In `ctlbuf`, `buf` points to a buffer containing the control information, and `maxlen` indicates the maximum size of the buffer. Similar initialization is done for `databuf`.

The integer pointed to by `flagsp` in the `getmsg()` call is set to zero, indicating that the next message must be retrieved from the stream head regardless of its priority. Data arrives in normal priority messages. If there is no message at the stream head, `getmsg()` blocks until a message arrives.

The user's control and data buffers must be large enough to hold any incoming data. If both buffers are large enough, `getmsg()` processes the data indication and returns 0, indicating that a full message was retrieved successfully. However, if neither buffer is large enough, `getmsg()` only returns the part of the message that fits into each user buffer. The remainder of the message is saved for subsequent retrieval (in message non-discard mode), and a positive, nonzero value is returned to the user. A return value of `MORECTL` indicates that more control information is waiting for retrieval. A return value of `MOREDATA` indicates that more data is waiting for retrieval. A return value of `MORECTL | MOREDATA` indicates that data from both parts of the message remain. In the example, if the user buffers are not large enough, that is, `getmsg()` returns a positive, nonzero value, the function sets `errno` to `EIO` and fails.

The type of the primitive returned by `getmsg()` is checked to make sure it is a data indication, `UNITDATA_IND` in the example. The source address is then set and the number of bytes of data is returned.

The example presented is a simplified service interface. It shows typical uses of `putmsg()` and `getmsg()`. The state transition rules for the interface are not presented and this example does not handle expedited data. For more information, see the [putmsg\(2\)](#) and [getmsg\(2\)](#) man pages.

## Input and Output Polling

This section describes the synchronous polling mechanism and asynchronous event notification in STREAMS.

User processes can efficiently monitor and control multiple streams with two system calls: [poll\(2\)](#) and the `I_SETSIG` [ioctl\(2\)](#) command. These calls enable a user process to detect events that occur at the stream head on one or more streams, including receipt of data or messages on the read queue and cessation of flow control on the write queue. Note that [poll\(2\)](#) is usable on any character device file descriptor, not just STREAMS.

To monitor streams with [poll\(2\)](#), a user process issues that system call and specifies the streams and other files to be monitored, the events to check, and the amount of time to wait for an event. [poll\(2\)](#) blocks the process until the time expires or until an event occurs. If an event occurs, it returns the type of event and the descriptor on which the event occurred.

Instead of waiting for an event to occur, a user process can monitor one or more streams while processing other data. To do so, issue the `I_SETSIG` [ioctl\(2\)](#), specifying a stream and events (as with [poll\(2\)](#)). This [ioctl\(2\)](#) does not block the process and force the user process to wait for the event, but returns immediately and issues a signal when an event occurs. The process calls one of [sigaction\(2\)](#), `signal(3c)`, or `sigset(3C)` to catch the resulting SIGPOLL signal.

If any selected event occurs on any of the selected streams, STREAMS sends SIGPOLL to all associated requesting processes. The processes have no information on what event occurred on what stream. A signaled process can get more information by calling `poll()`.

For more information, see the [poll\(2\)](#), [ioctl\(2\)](#), and [sigaction\(2\)](#) man pages.

## Synchronous Input and Output

[poll\(2\)](#) provides a mechanism to identify the streams over which a user can send or receive data. For each stream of interest, users can specify one or more events about which they should

be notified. The types of events that can be polled are POLLIN, POLLRDNORM, POLLRDBAND, POLLPRI, POLLOUT, POLLWRNORM, POLLWRBAND, which are detailed in [Table 2, “Events That Can Be Polled,” on page 62.](#)

**TABLE 2** Events That Can Be Polled

Event	Description
POLLIN	A message other than high-priority data can be read without blocking. This event is maintained for compatibility with the previous releases of the Oracle Solaris operating environment.
POLLRDNORM	A normal (nonpriority) message is at the front of the stream head read queue.
POLLRDBAND	A priority message (band > 0) is at the front of the stream head queue.
POLLPRI	A high-priority message is at the front of the stream head read queue.
POLLOUT	The normal priority band of the queue is writable (not flow controlled).
POLLWRNORM	The same as POLLOUT.
POLLWRBAND	A priority band greater than 0 of a queue downstream.

Some of the events may not be applicable to all file types. For example, the POLLPRI event usually is not generated when polling a non-STREAMS character device. POLLIN, POLLRDNORM, POLLRDBAND, and POLLPRI are set even if the message is of zero length.

`poll(2)` checks each file descriptor for the requested events and, on return, indicates which events have occurred for each file descriptor. If no event has occurred on any polled file descriptor, `poll(2)` blocks until a requested event or timeout occurs. `poll(2)` takes the following arguments:

- An array of file descriptors and events to be polled.
- The number of file descriptors to be polled.
- The number of milliseconds `poll` must wait for an event if no events are pending (-1 specifies wait forever).

[Example 11, “Polling an Event,” on page 62](#) shows the use of `poll(2)`. Two separate minor devices of the communications driver are opened, thereby establishing two separate streams to the driver. The `pollfd` entry is initialized for each device. Each stream is polled for incoming data. If data arrive on either stream, data is read and then written back to the other stream.

**EXAMPLE 11** Polling an Event

```
#include <sys/stropts.h>
#include <fcntl.h>
#include <poll.h>
```

```

#define NPOLL 2 /* number of file descriptors to poll */
int
main()
{
    struct pollfd pollfds[NPOLL];
    char buf[1024];
    int count, i;

    if ((pollfds[0].fd = open("/dev/ttya", O_RDWR|O_NONBLOCK)) < 0) {
        perror("open failed for /dev/ttya");
        exit(1);
    }
    if ((pollfds[1].fd = open("/dev/ttyb", O_RDWR|O_NONBLOCK)) < 0) {
        perror("open failed for /dev/ttyb");
        exit(2);
    }
}

```

The variable `pollfds` is declared as an array of the `pollfd` structure, defined in `<poll.h>`, and has the format:

```

struct pollfd {
    int fd;          /* file descriptor */
    short events;    /* requested events */
    short revents;   /* returned events */
}

```

For each entry in the array, `fd` specifies the file descriptor to be polled and `events` is a bitmask that contains the bitwise inclusive OR of events to be polled on that file descriptor. On return, the `revents` bitmask indicates which of the requested events has occurred.

The example continues to process incoming data, as shown below:

```

pollfds[0].events = POLLIN; /* set events to poll */
pollfds[1].events = POLLIN; /* for incoming data */
while (1) {
    /* poll and use -1 timeout (infinite) */
    if (poll(pollfds, NPOLL, -1) < 0) {
        perror("poll failed");
        exit(3);
    }
    for (i = 0; i < NPOLL; i++) {
        switch (pollfds[i].revents) {
            default: /* default error case */
                fprintf(stderr, "error event\n");
                exit(4);

            case 0: /* no events */
                break;

```

```

case POLLIN:
    /*echo incoming data on "other" Stream*/
    while ((count = read(pollfds[i].fd, buf, 1024)) > 0)
        /*
         * write loses data if flow control
         * prevents the transmit at this time
         */
        if (write(pollfds[(i+1) % NPOLL].fd buf,
                count) != count)
            fprintf(stderr, "writer lost data");
            break;
        }
    }
}

```

The user specifies the polled events by setting the `events` field of the `pollfd` structure to `POLLIN`. This request tells `poll(2)` to notify the user of any incoming data on each stream. The bulk of the example is an infinite loop, where each iteration polls both streams for incoming data.

The second argument of `poll(2)` specifies the number of entries in the `pollfds` array (2 in this example). The third argument indicates the number of milliseconds `poll(2)` waits for an event if none has occurred. On a system where millisecond accuracy is not available, `timeout` is rounded up to the nearest value available on that system. If the value of `timeout` is 0, `poll(2)` returns immediately. Here, `timeout` is set to -1, specifying that `poll(2)` blocks until a requested event occurs or until the call is interrupted.

If `poll(2)` succeeds, the program checks each entry in the `pollfds` array. If `revents` is set to 0, no event has occurred on that file descriptor. If `revents` is set to `POLLIN`, incoming data is available, so all available data is read from the polled minor device and written to the other minor device.

If `revents` is set to a value other than 0 or `POLLIN`, an error event must have occurred on that stream because `POLLIN` was the only requested event. Table 3, “[poll Error Events](#),” on page 64 shows `poll` error events.

**TABLE 3** poll Error Events

Error	Description
POLLERR	A fatal error has occurred in a module or driver on the stream associated with the specified file descriptor. Further system calls fail.
POLLHUP	A hangup condition exists on the stream associated with the specified file descriptor. This event and <code>POLLOUT</code> are mutually exclusive; a stream is not writable if a hangup has occurred.
POLLNVAL	The specified file descriptor is not associated with an open stream.



These events cannot be polled for by the user but are reported in `revents` when they occur. They are only valid in the `revents` bitmask.

The example attempts to process incoming data as quickly as possible. However, when writing data to a stream, `write(2)` can block if the stream is exerting flow control. To prevent the process from blocking, the minor devices of the communications driver are opened with the `O_NDELAY` (or `O_NONBLOCK`) flag set, see note. `write(2)` cannot send all the data if flow control is on and `O_NDELAY` (`O_NONBLOCK`) is set. This can happen if the communications driver processes characters slower than the user transmits. If the stream becomes full, the number of bytes `write(2)` sends is less than the requested count. For simplicity, the example ignores the data if the stream becomes full, and a warning is printed to `stderr`.

---

**Note** - To conform with the IEEE operating system interface standard, POSIX, new applications should use the `O_NONBLOCK` flag. Its behavior is the same as that of `O_NDELAY` unless otherwise noted.

---

This program continues until an error occurs on a stream, or until the process is interrupted.

## Asynchronous Input and Output

`poll()` enables a user to monitor multiple streams synchronously. `poll()` blocks until an event occurs on any of the polled file descriptors. In some applications, you will have to process incoming data asynchronously. For example, an application can attempt to do some local processing and be interrupted when a pending event occurs. Some time-critical applications must not block, and must have immediate success or failure indication.

The `I_SETSIG` `ioctl` is used to request that a `SIGPOLL` signal be sent to a user process when a specific event occurs. Table 4, “`I_SETSIG` `ioctl(2)` Events,” on page 65 lists events for `I_SETSIG`. For more information, see the `streamio(7I)`, `poll(2)`, and `ioctl(2)` man page.

**TABLE 4** `I_SETSIG` `ioctl(2)` Events

Event	Description
<code>S_INPUT</code>	A message other than a high-priority message has arrived on a stream head read queue. This event is maintained for compatibility with the previous releases of the Oracle Solaris operating environment.
<code>S_RDNORM</code>	A normal (nonpriority) message has arrived on the stream head read queue.
<code>S_RDBAND</code>	A priority message (band > 0) has arrived on the stream head read queue.
<code>S_HIPRI</code>	A high-priority message has arrived on the stream head read queue.

Event	Description
S_OUTPUT	A write queue for normal data (priority band = 0) is no longer full (not flow controlled). This notifies a user that there is space on the queue for sending or writing normal data downstream.
S_WRNORM	The same as S_OUTPUT.
S_WRBAND	A priority band greater than 0 of a queue downstream exists and is writable. This notifies a user that there is space on the queue for sending or writing priority data downstream.
S_MSG	A signal message sent from a module or driver has arrived on the stream head read queue.
S_ERROR	An error message reaches the stream head.
S_HANGUP	A hangup message sent from a module or driver has arrived at the stream head.
S_BANDURG	When used with S_RDBAND, SIGURG is generated instead of SIGPOLL when a priority message reaches the front of the stream head read queue.

S\_INPUT, S\_RDNORM, S\_RDBAND, and S\_HIPRI are set even if the message is of zero length. A user process can handle only high-priority messages by setting the arg to S\_HIPRI.

## signal Message

STREAMS enables modules and drivers to send a signal to user processes through a special signal message. If the signal specified by the module or driver is not SIGPOLL, the signal is sent to the process group associated with the stream. If the signal is SIGPOLL, the signal is only sent to processes that have registered for the signal by using the I\_SETSIG ioctl. For more information, see the [signal\(3C\)](#) and [ioctl\(2\)](#) man pages.

## Extended Signals

So that a process can obtain the band and event associated with SIGPOLL more readily, STREAMS supports extended signals. For the given events, a special code is defined in `<sys/siginfo.h>` that describes the reason SIGPOLL was generated. [Table 5, “Data in siginfo\\_t Structure,” on page 66](#) describes the data available in the `siginfo_t` structure passed to the signal handler.

**TABLE 5** Data in siginfo\_t Structure

Event	si_signo	si_code	si_band	si_errno
S_INPUT	SIGPOLL	POLL_IN	Band readable	Unused
S_OUTPUT	SIGPOLL	POLL_OUT	Band writable	Unused

Event	si_signo	si_code	si_band	si_errno
S_MSG	SIGPOLL	POLL_MSG	Band signaled	Unused
S_ERROR	SIGPOLL	POLL_ERR	Unused	stream error
S_HANGUP	SIGPOLL	POLL_HUP	Unused	Unused
S_HIPRI	SIGPOLL	POLL_PRI	Unused	Unused

## Stream as a Controlling Terminal

The controlling terminal can receive signals and send signals. If a foreground process group has the stream as a controlling terminal stream, drivers and modules can use `M_SIG` messages to send signals to processes.

## Job Control

Job Control interacts with the STREAMS-based terminal subsystem. For more information on Job Control, see the [exit\(2\)](#), [getpgid\(2\)](#), [getpgrp\(2\)](#), [getsid\(2\)](#), [kill\(2\)](#), [setpgid\(2\)](#), [setpgrp\(2\)](#), [setsid\(2\)](#), [sigaction\(2\)](#), [signal\(3C\)](#), [sigsend\(2\)](#), [termios\(3C\)](#), [waitid\(2\)](#), and [termio\(7I\)](#) man pages.

Job Control breaks a login session into smaller units called jobs. Each job consists of one or more related and cooperating processes. The *foreground* job, is given complete access to the controlling terminal. The other *background* jobs are denied read access to the controlling terminal and given conditional write and `ioctl()` access to it. The user can stop the executing job and resume the stopped job either in the foreground or in the background.

Under Job Control, background jobs do not receive events generated by the terminal and are not informed with a hangup indication when the controlling process exits. Background jobs that linger after the login session has been dissolved are prevented from further access to the controlling terminal, and do not interfere with the creation of new login sessions.

The following list defines terms associated with Job Control:

Background process group	A process group that is a member of a session that established a connection with a controlling terminal and is not the foreground process group.
Controlling process	A session leader that established a connection to a controlling terminal.
Controlling terminal	A terminal that is associated with a session. Each session can have at most one controlling terminal associated with it, and a controlling

	terminal can be associated with at most one session. Certain input sequences from the controlling terminal cause signals to be sent to the process groups in the session associated with the controlling terminal.
Foreground process group	Each session that establishes a connection with a controlling terminal distinguishes one process group of the session as a foreground process group. The foreground process group has certain privileges that are denied to background process groups when accessing its controlling terminal.
Orphaned process group	A process group in which the parent of every member in the group is either a member of the group, or is not a member of the process group's session.
Process group	Each process in the system is a member of a process group that is identified by a process group ID. Any process that is not a process group leader can create a new process group and become its leader. Any process that is not a process group leader can join an existing process group that shares the same session as the process. A newly created process joins the process group of its creator.
Process group leader	A process whose process ID is the same as its process group ID.
Process group lifetime	A time period that begins when a process group is created by its process group leader and ends when the last process that is a member in the group leaves the group.
Process ID	A positive integer that uniquely identifies each process in the system. A process ID cannot be reused by the system until the process lifetime, process group lifetime, and session lifetime end for any process ID, process group ID, and session ID sharing that value.
Process lifetime	A period that begins when the process is forked and ends after the process exits, when its termination has been acknowledged by its parent process.
Session	Each process group is a member of a session that is identified by a session ID.
Session ID	A positive integer that uniquely identifies each session in the system. It is the same as the process ID of its session leader (POSIX).
Session leader	A process whose session ID is the same as its process and process group ID.

Session lifetime      A period that begins when the session is created by its session leader and ends when the lifetime of the last process group that is a member of the session ends.

The following signals manage Job Control: (see also [signal\(3C\)](#)):

SIGCONT	Sent to a stopped process to continue it.
SIGSTOP	Sent to a process to stop it. This signal cannot be caught or ignored.
SIGTSTP	Sent to a process to stop it. It is typically used when a user requests to stop the foreground process.
SIGTTIN	Sent to a background process to stop it when it attempts to read from the controlling terminal.
SIGTTOU	Sent to a background process to stop it when a user attempts to write to or modify the controlling terminal.

A session can be allocated to a controlling terminal. For every allocated controlling terminal, Job Control elevates one process group in the controlling process's session to the status of foreground process group. The remaining process groups in the controlling process's session are background process groups. A controlling terminal gives a user the ability to control execution of jobs within the session. Controlling terminals are critical in Job Control. A user can stop the foreground job by typing a predefined key on the controlling terminal. A user can inhibit access to the controlling terminal by background jobs. Background jobs that attempt to access a terminal that has been so restricted is sent a signal that typically causes the job to stop. (See [“Accessing the Controlling Terminal” on page 70.](#))

Job Control requires support from a line-discipline module on the controlling terminal's stream. The `termio` commands `TCSETA`, `TCSETAW`, and `TCSETAF` allow a process to set the following line discipline values relevant to Job Control:

SUSP character	A user-defined character that, when typed, causes the line discipline module to request that the stream head send a SIGTSTP signal to the foreground process, which by default stops the members of that group. If the value of SUSP is zero, the SIGTSTP signal is not sent, and the SUSP character is disabled.
TOSTOP flag	If TOSTOP is set, background processes are inhibited from writing to their controlling terminal. A line discipline module must record the SUSP suspend character and notify the stream head when the user has typed it, and record the state of the TOSTOP bit and notify the stream head when the user has changed it.

For more information, see the [termio\(7I\)](#) man page.

## Allocation and Deallocation of Streams

A stream is allocated as a controlling terminal for a session if it:

- Is acting as a terminal.
- Is not already allocated as a controlling terminal.
- Is opened by a session leader that does not have a controlling terminal.

Controlling terminals are allocated with `open()`. The device must inform the stream head that it is acting as a terminal. For more information, see the [open\(2\)](#) man page.

## Hungup Streams

When a stream head receives a hangup message from a device or module, it is marked as hung up. A stream that is marked as hung up is allowed to be reopened by its session leader if it is allocated as a controlling terminal, and by any process if it is not allocated as a controlling terminal. This way, the hangup error can be cleared without forcing all file descriptors to be closed first.

If the reopen is successful, the hangup condition is cleared.

## Hangup Signals

When the `SIGHUP` signal is generated by a hangup message instead of a signal message, the signal is sent to the controlling process instead of the foreground process group. The allocation and deallocation of controlling terminals to a session is the responsibility of that process group.

## Accessing the Controlling Terminal

If a process attempts to access its controlling terminal after it has been deallocated, access is denied. If the process is not holding or ignoring `SIGHUP`, it is sent a `SIGHUP` signal. Otherwise, the access fails with an `EIO` error.

Members of background process groups have limited access to their controlling terminals:

- If the background process is ignoring or holding the SIGTTIN signal or is a member of an orphaned process group, an attempt to read from the controlling terminal fails with an EIO error. Otherwise, the process is sent a SIGTTIN signal, which by default stops the process.
- If the process is attempting to write to the terminal and if the terminal's TOSTOP flag is clear, the process is allowed access.
- If the terminal's TOSTOP flag is set and a background process is attempting to write to the terminal, the write succeeds if the process is ignoring or holding SIGTTOU. Otherwise, the process stops except when it is a member of an orphaned process group, in which case it is denied access to the terminal and it is returned an EIO error.

If a background process is attempting to perform a destructive `ioctl()` (one that modifies terminal parameters), the `ioctl()` call succeeds if the process is ignoring or holding SIGTTOU. Otherwise, the process stops except when the process is a member of the orphaned process group. In that case the access to the terminal is denied and an EIO error is returned. For more information, see the [ioctl\(2\)](#) man page.





## Application Access to the STREAMS Driver and Module Interfaces

---

This chapter describes getting messages into and out of the driver from an application level. It shows the relationship between messages overall and the specific `ioctl(2)` calls that pertain to application-level operations.

- “System Calls Used” on page 73
- “Module and Driver `ioctl` Calls” on page 74
- “Flush Handling” on page 81

### System Calls Used

Table 6, “System Calls Used,” on page 73 summarizes the system calls commonly used in controlling and transferring data and messages within a stream.

**TABLE 6** System Calls Used

System Call	Description
<code>read(2)</code>	Reads data from a stream
<code>write(2)</code>	Writes data to a stream
<code>ioctl(2)</code>	Controls a stream
<code>getmsg(2)</code>	Receives a message at the stream head
<code>getpmsg(2)</code>	Receives a priority message at the stream head
<code>putmsg(2)</code>	Sends a message downstream
<code>putpmsg(2)</code>	Sends a priority message downstream
<code>poll(2)</code>	Identifies files on which a user can send or receive messages, or on which certain events have occurred (historically, it was unnecessarily restricted to streams)
<code>pipe(2)</code>	Creates a bidirectional channel that provides a communication path between multiple processes

## Module and Driver `ioctl` Calls

STREAMS is a special type of character device driver that is different from the historical character input/output (I/O) mechanism. In this section, the phrases *character I/O mechanism* and *I/O mechanism* refer only to that part of the mechanism that existed before STREAMS.

The character I/O mechanism handles all `ioctl(2)` calls transparently. That is, the kernel expects all `ioctl(2)` to be handled by the device driver associated with the character special file on which the call is sent. All `ioctl(2)` calls are sent to the driver, which is expected to perform all validation and processing other than file descriptor validity checking. The operation of any specific `ioctl(2)` is dependent on the device driver. If the driver requires data to be transferred in from user space, it will use the kernel `ddi_copyin` function. It may also use `ddi_copyout` to transfer any data results to user space.

With STREAMS, there are a number of differences from the character I/O mechanism that impart `ioctl(2)` processing.

First, there is a set of generic STREAMS `ioctl(2)` command values recognized and processed by the stream head. This is described in `streamio(7I)`. The operation of the generic STREAMS `ioctl(2)` is generally independent of the presence of any specific module or driver on the stream.

The second difference is the absence of user context in a module and driver when the information associated with the `ioctl(2)` is received. This prevents use of `ddi_copyin(9F)` or `ddi_copyout(9F)` by the module. This also prevents the module and driver from associating any kernel data with the currently running process. (By the time the module or driver receives the `ioctl(2)`, the process generating it probably will no longer be running.)

A third difference is that for the character I/O mechanism, all `ioctl(2)` are handled by the single driver associated with the file. In STREAMS, there can be multiple modules on a stream and each one can have its own set of `ioctl(2)` calls. That is, the `ioctl(2)` that can be used on a stream can change as modules are pushed and popped.

STREAMS provides the capability for user processes to perform control functions on specific modules and drivers in a stream with `ioctl(2)` calls. Most `streamio(7I)` `ioctl(2)` commands go no further than the stream head. They are fully processed there and no related messages are sent downstream. However, certain commands and all unrecognized commands cause the stream head to create an `M_IOCTL` message, which includes the `ioctl(2)` arguments, and send the message downstream to be received and processed by a specific module or driver. The `M_IOCTL` message is the initial message type that carries `ioctl(2)` information to modules. Other message types are used to complete the `ioctl(2)` processing in the stream. In general, each module must uniquely recognize and act on specific `M_IOCTL` messages.

STREAMS `ioctl(2)` handling is equivalent to the transparent processing of the character I/O mechanism. STREAMS modules and drivers can process `ioctl(2)` generated by applications that are implemented for a non-STREAMS environment.

## General `ioctl` Processing

STREAMS blocks a user process that issues an `ioctl(2)` and causes the stream head to generate an `M_IOCTL` `</function>` message. The process remains blocked until one of the following occurs:

- A module or a driver responds with an `M_IOCACK` (ack, positive acknowledgement) message or an `M_IOCNAK` (nak, negative acknowledgement) message.
- No message is received and the request times out.
- The `ioctl(2)` is interrupted by the user process.
- An error condition occurs. For the `I_STR ioctl(2)`, the timeout period can be a user-specified interval or a default. For the other `ioctl(2)` calls, the default value (infinite) is used.

For an `I_STR`, the STREAMS module or driver that generates a positive acknowledgement message can also return data to the process in the message. An alternate means to return data is provided with transparent `ioctl(2)`. If the stream head does not receive a positive or negative acknowledgement message in the specified time, the `ioctl(2)` call fails.

A module that receives an unrecognized `M_IOCTL` message must pass it on unchanged. A driver that receives an unrecognized `M_IOCTL` must produce a negative acknowledgement.

The two STREAMS `ioctl(2)` mechanisms, `I_STR` and transparent, are described next. (Here, `I_STR` means the `streamio(7I)` `I_STR` command and implies the related STREAMS processing unless noted otherwise.) `I_STR` has a restricted format and restricted addressing for transferring `ioctl(2)`-related data between user and kernel space. It requires only a single pair of messages to complete `ioctl(2)` processing. The transparent mechanism is more general and has almost no restrictions on `ioctl(2)` data format and addressing. The transparent mechanism generally requires that multiple pairs of messages be exchanged between the stream head and module to complete the processing.

This is a rather simplistic view. Nothing prevents a given `ioctl(2)` from being issued either directly (transparent) or by means of `I_STR`. Furthermore, `ioctl(2)` calls issued through `I_STR` potentially can require further processing of the form typically associated with transparent `ioctl(2)`.

## I\_STR `ioctl` Processing

The I\_STR `ioctl(2)` provides a capability for user applications to perform module and driver control functions on STREAMS files. I\_STR allows an application to specify the `ioctl(2)` timeout. It encourages that all user `ioctl(2)` data (to be received by the destination module) be placed in a single block that is pointed to from the user `strioc` structure. The module can also return data to this block.

## Transparent `ioctl` Processing

The transparent STREAMS `ioctl(2)` mechanism enables application programs to perform module and driver control functions with `ioctl(2)` calls other than I\_STR. It transparently supports applications developed prior to the introduction of STREAMS. It alleviates the need to recode and recompile the user-level software to run over STREAMS files. More importantly, applications do not have to package their `ioctl(2)` requests into the form demanded by I\_STR.

The mechanism extends the data transfer capability for STREAMS `ioctl(2)` calls beyond those provided in the I\_STR form. Modules and drivers can transfer data between their kernel space and user space in any `ioctl(2)` that has a value of the command argument not defined in `streamio(7)`. These `ioctl(2)` are known as transparent `ioctl(2)` to differentiate them from the I\_STR form. Existing applications that use non-STREAMS character devices require transparent processing for `ioctl(2)` if the device driver is converted to STREAMS. The `ioctl(2)` data can be in any format mutually understood by the user application and module.

The transparent mechanism also supports STREAMS applications that send `ioctl(2)` data to a driver or module in a single call, where the data may not be in a form readily embedded in a single user block. For example, the data may be contained in nested structures and different user space buffers.

## I\_LIST `ioctl`

The I\_LIST `ioctl(2)` supports the `strconf(1)` and `strchg(1)` commands that are used to query or change the configuration of a stream. Only the root user or an owner of a STREAMS device can alter the configuration of that stream.

`strchg(1)` does the following:

- Pushes one or more modules on the stream.

- Pops the topmost module off the stream.
- Pops all the modules off the stream.
- Pops all modules up to but not including a specified module.

`strconf(1)` does the following:

- Checks if the specified module is present on the stream.
- Prints the topmost module of the stream.
- Prints a list of all modules and the topmost driver on the stream. If the stream contains a multiplexing driver, the `strchg` and `strconf` commands will not recognize any modules below that driver.

The `I_LIST ioctl(2)`, illustrated in [Example 12, “I\\_LIST ioctl,” on page 78](#), performs two functions. When the third argument of the `ioctl(2)` call is `NULL`,

```
if ((mods = ioctl(s, I_LIST, 0)) < 0) {
```

the return value of the call indicates the number of modules, plus the driver, present on the stream. For example, if there are two modules above the driver, 3 is returned. On failure, `errno` may be set to a value specified in [streamio\(7I\)](#). The second function of the `I_LIST ioctl(2)` is to copy the module names found on the stream to the user-supplied buffer. The address of the buffer in user space and the size of the buffer are passed to the `ioctl(2)` through a structure `str_mlist` that is defined as:

```
struct str_mlist {
    char l_name[FMNAMESZ+1]; /* space for holding a module name*/
};

struct str_list {
    int sl_nmods; /* #of modules for which space is allocated */
    struct str_mlist *sl_modlist; /*addr of buf for names*/
};
```

Here `sl_nmods` is the number of modules in the `sl_modlist` array that the user has allocated. Each element in the array must be at least `FMNAMESZ+1` bytes long. The array is `FMNAMESZ+1` so the extra byte can hold the `NULL` character at the end of the string. `FMNAMESZ` is defined by `<sys/conf.h>`.

The amount of space to allocate for module names is indicated by the number of modules in the `STREAM`. This is not completely reliable because another module might be pushed onto the stream after the application invokes the `I_LIST ioctl(2)` with the `NULL` argument and before it invokes the `I_LIST ioctl(2)` with the structure argument.

The `I_LIST` call with `arg` pointing to the `str_list` structure returns the number of entries that have been filled into the `sl_modlist` array (the number represents the number of modules

including the driver). If there is not enough space in the `sl_modlist` array or `sl_nmods` is less than 1, the `I_LIST` call fails and `errno` is set to `EINVAL`. If `arg` or the `sl_modlist` array points outside the allocated address space, `EFAULT` is returned.

**EXAMPLE 12** `I_LIST` ioctl

```
#include <stdio.h>
#include <string.h>
#include <stropts.h>
#include <sys/types.h>
#include <sys/socket.h>
#include <sys/types.h>
#include <sys/socket.h>

main(int argc, const char **argv)
{
    int s, i;
    unsigned int mods;
    struct str_list mod_list; struct str_mlist *mlist;
    /* Get a socket... */

    if ((s = socket(AF_INET, SOCK_STREAM, 0)) <= 0) {
        perror("socket: ");
        exit(1);
    }

    /* Determine the number of modules in the stream */
    if ((mods = ioctl(s, I_LIST, 0)) < 0) {
        perror("I_LIST ioctl");
    }
    if (mods == 0) {
        printf("No modules\n");
        exit(1);
    } else {
        printf("%d modules\n", mods);
    }

    /* Allocate memory for all of the module names */
    mlist = (struct str_mlist *)
        calloc(mods, sizeof (struct str_mlist));
    if (mlist == 0) {
        perror("malloc failure");
        exit(1);
    }
    mod_list.sl_modlist = mlist;
    mod_list.sl_nmods = mods;
}
```

```

/* Do the ioctl and get the module names... */
if (ioctl(s, I_LIST, &mod_list) < 0) {
    exit(1);
}

/* Print out the name of the modules... */
for (i = 0; i < mods; i++) {
    printf("s: %s\n", mod_list.sl_modlist[i].l_name);
}

/* Free the calloc'd structures... */
free(mlist);
return(0);
}

```

## Other `ioctl` Commands

[streamio\(7I\)](#) details the `ioctl(2)` commands shown in [Table 7, “Other `ioctl` Commands,”](#) on [page 79](#).

**TABLE 7** Other `ioctl` Commands

<code>ioctl</code> Calls	Description
<code>I_ANCHOR</code>	Prevents the removal of a STREAMS module with an <code>I_POP</code> call. Any process can place an anchor on a stream, but once placed, an anchor can only be removed by a privileged process.
<code>I_LOOK</code>	Retrieves the name of the module just below the stream head
<code>I_FLUSH</code>	Flushes all input or output queues
<code>I_FLUSHBAND</code>	Flushes a band of messages
<code>I_FIND</code>	Compares the names of all modules present in the stream to a specific name
<code>I_PEEK</code>	Enables the user to look at information in the first message on the stream head read queue without taking the message off the queue
<code>I_SRDOPT</code>	Sets the read mode using a series of flag options in the argument
<code>I_GRDOPT</code>	Indicates the read mode in an <code>int</code>
<code>I_NREAD</code>	Counts the data bytes in data blocks in the first message on the stream head read queue
<code>I_FDINSERT</code>	Creates a message from a user buffer, adds information about another stream, and sends the message downstream
<code>I_SWROPT</code>	Sets the write mode using the value of the argument
<code>I_GWROPT</code>	Returns the current write mode setting
<code>I_SENDFD</code>	Requests that the stream send a message with file pointer to the stream head at the other end of a STREAMS pipe

<code>ioctl</code> Calls	Description
<code>I_RECVFD</code>	Retrieves the file descriptor of the message sent by an <code>I_SENDFD</code> <code>ioctl(2)</code> over a STREAMS pipe
<code>I_ATMARK</code>	Lets the application see if the current message on the stream head read queue is marked by a module downstream
<code>I_CKBAND</code>	Checks if the message of a given priority band exists on the stream head read queue
<code>I_GETBAND</code>	Returns the priority band of the first message on the stream head read queue
<code>I_CANPUT</code>	Checks if a certain band is writable
<code>I_SETCLTIME</code>	Enables the user to set the time the stream head will delay when a stream is closing if data exists on the write queues
<code>I_GETCLTIME</code>	Returns the close time delay
<code>I_LINK</code>	Connects two streams
<code>I_UNLINK</code>	Disconnects two streams
<code>I_PLINK</code>	Connects two streams with a persistent link below a multiplexing driver
<code>I_PUNLINK</code>	Disconnects two streams that have been connected with a persistent link

## Message Direction

Various system calls let the user create messages and send them downstream and prioritize the messages.

- `putmsg(2)` – Creates a message from the caller supplied control and data buffers and sends the message downstream
- `putpmsg(2)` – Does the same as `putmsg(2)` and enables the caller to specify a priority band for the message
- `getmsg(2)` – Retrieves `M_DATA`, `M_PROTO`, or `M_PCPROTO` or high priority messages from the stream head, and places the contents into two user buffers
- `getpmsg(2)` – Does the same as `getmsg(2)` and enables the caller to specify a priority band for the message

The stream head guarantees that the control part of a message generated by `putmsg(2)` is at least 64 bytes long. This promotes reusability of the buffer. When the buffer is a reasonable size, modules and drivers may reuse the buffer for other headers.

`stropts.h` contains the specification of `strbuf`, which describes the control and data buffers.



## Flush Handling

All modules and drivers are expected to handle the flushing of messages. The user may cause data to be flushed of queued messages from a stream by the submission of an `I_FLUSH ioctl(2)`. Data may be flushed from the read side, write side, or both sides of a stream.

```
ioctl (fd, I_FLUSH, arg);
```

[Table 8, “M\\_FLUSH Arguments and bi\\_flag values,” on page 81](#) describes the arguments that may be passed to `M_FLUSH`.

**TABLE 8** M\_FLUSH Arguments and bi\_flag values

Flag	Description
FLUSHR	Flushes read side of stream
FLUSHW	Flushes write queue
FLUSHRW	Flushes both read and write queues

In addition to being able to flush all the data from a queue, a specific band may be flushed using the `I_FLUSHBAND ioctl(2)`.

```
ioctl (fd, I_FLUSHBAND, bandp);
```

The `ioctl(2)` is passed a pointer to a `bandinfo` structure. The `bi_pri` field indicates the band priority to be flushed (values from 0 to 255). The `bi_flag` field indicates the type of flush to do. The legal values for `bi_flag` are defined in [Table 8, “M\\_FLUSH Arguments and bi\\_flag values,” on page 81](#). `bandinfo` has the following format:

```
struct bandinfo {
    unsigned char    bi_pri;
    int             bi_flag;
};
```

See [“Flushing Priority Band” on page 175](#), which describes `M_FLUSHBAND` processing, for details on how modules and drivers should handle flush band requests.



# ◆◆◆ CHAPTER 5

## STREAMS Administration

---

This chapter describes the tools available to administer STREAMS. It shows how to keep track of names, where to find modules, and how to monitor statistics. Kernel debugging is covered in [Chapter 14, “Debugging STREAMS-based Applications”](#).

- [“Administration Tools” on page 83](#)
- [“Autopush Facility” on page 84](#)
- [“Administration Tool Description” on page 86](#)

### Administration Tools

Table 5-1 identifies some common tools available for monitoring, logging, and administering STREAMS.

**TABLE 9** Tools Available for STREAMS Administration

Tool	Description
<a href="#">autopush(1M)</a>	Configures list of modules to be automatically pushed
<a href="#">fdetach(1M)</a>	Detaches a name from a file descriptor
<a href="#">strchg(1)</a>	Prints STREAMS trace messages
<a href="#">strchg(1), strconf(1)</a>	Changes or queries a stream configuration
<a href="#">strerr(1M)</a>	Logs STREAMS errors
<a href="#">modload(1M)</a>	Loads a kernel module
<a href="#">modunload(1M)</a>	Unloads a kernel module
<a href="#">modinfo(1M)</a>	Displays information about loaded kernel modules

## Autopush Facility

The autopush facility (see [autopush\(1M\)](#)) enables administrators to specify a list of modules to be automatically pushed onto the stream whenever a STREAMS device is opened. A prespecified list (`/etc/iu.ap`) of modules can be pushed onto the stream if the STREAMS device is not already open.

The STREAMS Administrative Driver (SAD) provides an interface to the autopush mechanism. System administrators can open the SAD and set or get autopush information on other drivers. The SAD caches the list of modules to push for each driver. When the driver is opened, if not already open, the stream head checks the SAD's cache to determine if the device is configured to have modules automatically pushed. If an entry is found, the modules are pushed. If the device is open, another open does not cause the list of the prespecified modules to be pushed again.

The autopush `SAD_SAP` command `ap_cmd` field specifies the configuration options:

<code>SAP_ONE</code>	Configure each minor device (that is, a specific major and minor device number).
<code>SAP_RANGE</code>	Configure a range of minor devices within a major device.
<code>SAP_ALL</code>	Configure all minor devices within a major device.
<code>SAP_CLEAR</code>	Undo configuration information for a driver.

In addition, when configuring the module list, an optional anchor can be placed within the list. For more information, see [“STREAMS Anchors” on page 258](#).

When the configuration list is cleared, a range of minor devices has to be cleared as a range and not in parts.

## Application Interface

The SAD is accessed through `/dev/sad/admin` or `/dev/sad/user`. After the device is initialized, a program can be run to perform any needed autopush configuration. The program should open the SAD, read a configuration file to find out what modules must be configured for which devices, format the information into `strpush` structures, and perform the necessary `SAD_SAP ioctl()` functions. For more information, see [sad\(7D\)](#).

All autopush operations are performed through an `ioctl()` command to set or get autopush information. Only the root user can set autopush information, but any user can get the autopush information for a device.

In the `ioctl()` call, the parameters are the file descriptor of the SAD, either `SAD_SAP` (set autopush information) or `SAD_GAP` (get autopush information), and a pointer to a `strpush` structure.

`strpush` is defined as:

```

/*
 * maximum number of modules that can be pushed on a
 * Stream using the autopush feature should be no greater
 * than nstrpush
 */
#define MAXAPUSH 8

/* autopush information common to user and kernel */

struct apcommon {
    uint apc_cmd;          /* command - see below */
    major_t apc_major;     /* major device number */
    minor_t apc_minor;    /* minor device number */
    minor_t apc_lastminor; /* last minor dev # for range */
    uint apc_npush;       /* number of modules to push */
};

/* ap_cmd - various options of autopush */
#define SAP_CLEAR    0    /* remove configuration list */
#define SAP_ONE     1    /* configure one minor device*/
#define SAP_RANGE   2    /* config range of minor devices */
#define SAP_ALL     3    /* configure all minor devices */

/* format of autopush ioctls */
struct strpush {
    struct apcommon sap_common;
    char sap_list[MAXAPUSH] [FMNAMESZ + 1]; /* module list */
};

#define sap_cmd          sap_common.apc_cmd
#define sap_major        sap_common.apc_major
#define sap_minor        sap_common.apc_minor
#define sap_lastminor    sap_common.apc_lastminor
#define sap_npush        sap_common.apc_npush

```

A device is identified by its major device number, `sap_major`. A `SAD_CMD` `ioctl()` is one of the following commands:

SAP_CLEAR	Clears the previous settings by removing the entry with the matching <code>sap_major</code> and <code>sap_minor</code> fields
SAP_ONE	Configures a single minor device, <code>sap_minor</code> , of a driver
SAP_RANGE	Configures a range of minor devices from <code>sap_minor</code> to <code>sap_lastminor</code> , inclusive
SAP_ALL	Configures all minor devices of a device

The list of modules is specified as a list of module names in `sap_list`. The maximum number of modules to push automatically is defined by `MAXAPUSH`.

A user can query the current configuration status of a given major or minor device by issuing the `SAD_GAP ioctl(2)` with `sap_major` and `sap_minor` values of the device set. On successful return from this system call, the `strapush` structure will be filled in with the corresponding information for that device. The maximum number of entries the SAD driver can cache is determined by the tunable parameter `NAUTOPUSH` found in the SAD driver's master file.

The following is an example of an autopush configuration file in `/etc/iu.ap`:

```
# major  minor  lastminor  modules
wc       0       0          ldterm ttcompat
zs       0       1          ldterm ttcompat
ptsl     0       15         ldterm ttcompat
```

The first line is the configuration of a single minor device whose major name is `wc` and minor numbers start at 0 and end at 0, creating only one minor number. The modules automatically pushed are `ldterm` and `ttcompat`. The second line represents the configuration of the `zs` driver. The minor device numbers are 0 and 1. The last line allows minor device numbers from 0 to 15 for the `ptsl` driver.

## Administration Tool Description

STREAMS error and trace loggers are provided for debugging and for administering STREAMS modules and drivers. This facility consists of `log(7D)`, `strace(1M)`, `strclean(1M)`, `strerr(1M)`, and the `strlog(9F)` function.

## strace Command

[strace\(1M\)](#) is a utility that displays the messages in a specified STREAMS log. The log to display is identified by STREAMS module ID number, a sub-ID number, and the priority level.

## strlog Command

[strlog\(9F\)](#) sends formatted text to [log\(7D\)](#) driver. Required definitions are contained in `<sys/strlog.h>` and `<sys/log.h>`. The call specifies the STREAMS module ID number, a sub-ID number, and the priority level. A flag parameter can specify any combination of:

SL_ERROR	The message is for the error logger
SL_TRACE	The message is for the tracer
SL_FATAL	Advisory notification of a fatal error
SL_NOTIFY	Modifies the SL_ERROR flag to request that a copy of the message be mailed to the system administrator
SL_CONSOLE	Log the message to the console
SL_WARN	Warning message
SL_NOTE	Notice the message

The flags are followed by a [printf\(3C\)](#)-style format string, but `%s`, `%e`, `%E`, `%g`, and `%G` conversion specifications are not recognized. Up to NLOGARGS of numeric or character arguments can be specified.

For more information, see the [printf\(3C\)](#), [log\(3M\)](#), and [strlog\(9F\)](#) man page.

## strqget Command

[strqget\(9F\)](#) gets information about a queue or band of a queue. The information is returned in a `long`. The stream must be frozen by the caller when calling `strqget`.

## strqset Command

[strqset\(9F\)](#) changes information about a queue or band of the queue. The updated information is provided in an `int`. If the field is read-only, `EPERM` is returned and the field is left unchanged. See `<sys/stream.h>` for valid values. The stream must be frozen by the caller when calling [strqset\(9F\)](#).

## strerr Daemon

[strerr\(1M\)](#) is the STREAMS error logger daemon.



## Pipes and Queues

---

This chapter covers communication between processes using STREAMS-based pipes and named pipes. Discussion is limited to communications between applications.

- “Overview of Pipes and FIFOs” on page 89
- “Creating and Opening Pipes and FIFOs” on page 90

### Overview of Pipes and FIFOs

A pipe in the Oracle Solaris system provides a communication path between multiple processes. In the SunOS 4 releases, Solaris had *standard* pipes and *named* pipes (also called FIFOs). With standard pipes, one end was opened for reading and the other end for writing, so data flow was unidirectional. FIFOs had only one end and typically one process opened the file for reading and another process opened the file for writing. Data written into the FIFO by the writer could then be read by the reader.

To provide greater support and development flexibility for networked applications, pipes and FIFOs are STREAMS-based in the Oracle Solaris software. The interface is unchanged but the underlying implementation is changed. When a pipe is created through the `pipe(2)` interface, two streams are opened and connected. Data flow is serial.

The remainder of this chapter uses the terms *pipe* and *STREAMS-based pipe* interchangeably to mean a STREAMS-based pipe.

---

**Note** - After both ends of a FIFO have been opened, there is no guarantee that further calls to `open O_RDONLY (O_WRONLY)` will synchronize with later calls to `open O_WRONLY (O_RDONLY)` until both ends of the FIFO have been closed by all readers and writers. Any data written into a FIFO will be lost if both ends of the FIFO are closed before the data is read.

---

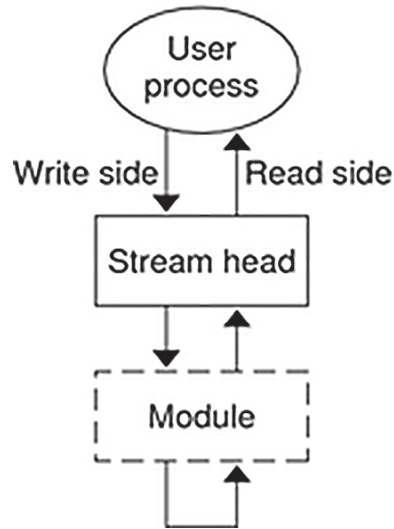
## Creating and Opening Pipes and FIFOs

A named pipe, also called a FIFO, is a pipe identified by an entry in a file system's name space. FIFOs are created using `mknod(2)`, `mkfifo(1M)`, or the `mknod(1M)` command. They are removed using `unlink(2)` or the `rm(1)` command.

FIFOs look like regular file system nodes, but are distinguished from them by a `p` in the first column when the `ls -l` command is run.

```
/usr/sbin/mknod xxx pls -l xxx
prw-r--r-- 1 guest other 0 Aug 26 10:55 xxx
echoput> hello.world>xxx &put>
[1] 8733
cat xxx
hello world
[1] + Done
rm xxx
```

FIFOs are unidirectional: that is, one end of the FIFO is used for writing data, the other for reading data. FIFOs allow simple one-way interprocess communication between unrelated processes. Modules may be pushed onto a FIFO. Data written to the FIFO is passed down the write side of the module and back up the read side as shown in [Figure 12, “Pushing Modules on a STREAMS-based FIFO,”](#) on page 91.

**FIGURE 12** Pushing Modules on a STREAMS-based FIFO

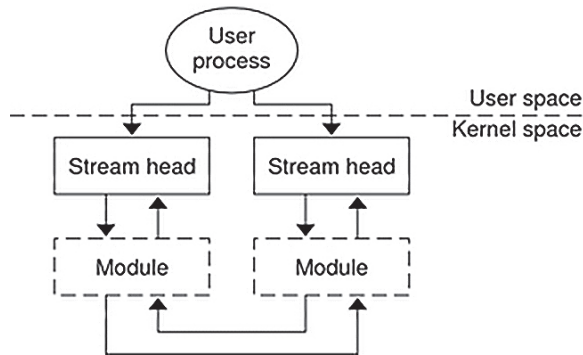
FIFOs are opened in the same manner as other file system nodes with `open(2)`. Any data written to the FIFO can be read from the same file descriptor in the first-in, first-out manner (serial, sequentially). Modules can also be pushed on the FIFO. See `open(2)` for the restrictions that apply when opening a FIFO. If `O_NDELAY` or `O_NONBLOCK` is not specified, an `open` on a FIFO blocks until both a reader and a writer are present.

Named or mounted streams provide a more powerful interface for interprocess communications than does a FIFO. See “Named Streams” on page 95 for details.

A STREAMS-based pipe, also referred to as an anonymous pipe, is created using `pipe(2)`, which returns two file descriptors, `fd[0]` and `fd[1]`, each with its own stream head. The ends of the pipe are constructed so that data written to either end of a pipe may be read from the opposite end.

STREAMS modules can be added to a pipe with `I_PUSH ioctl(2)`. A module can be pushed onto one or both ends of the pipe (see Figure 13, “Pushing Modules on a STREAMS-based Pipe,” on page 92 ). However, if a module is pushed onto one end of the pipe, that module cannot be popped from the other end.

**FIGURE 13** Pushing Modules on a STREAMS-based Pipe



## Using Pipes and FIFOs

Pipes and FIFOs can be accessed through the operating system routines [read\(2\)](#), [write\(2\)](#), [ioctl\(2\)](#), [close\(2\)](#), [putmsg\(2\)](#), [putpmsg\(2\)](#), [getmsg\(2\)](#), [getpmsg\(2\)](#), and [poll\(2\)](#). For FIFOs, [open\(2\)](#) is also used.

## Reading From a Pipe or FIFO

[read\(2\)](#) or [getmsg\(2\)](#) are used to read from a pipe or FIFO. Data can be read from either end of a pipe. On success, the [read\(2\)](#) returns the number of bytes read and buffered. When the end of the data is reached, [read\(2\)](#) returns 0.

When a user process attempts to read from an empty pipe (or FIFO), the following happens:

- If one end of the pipe is closed, 0 is returned, indicating the end of the file.
- If the write side of the FIFO has closed, [read\(2\)](#) returns 0 to indicate the end of the file.
- If some process has the FIFO open for writing, or both ends of the pipe are open, and `O_NDELAY` is set, [read\(2\)](#) returns 0.
- If some process has the FIFO open for writing, or both ends of the pipe are open, and `O_NONBLOCK` is set, [read\(2\)](#) returns -1 and sets `errno` to `EAGAIN`.
- If `O_NDELAY` and `O_NONBLOCK` are not set, the read call blocks until data is written to the pipe, until one end of the pipe is closed, or the FIFO is no longer open for writing.

---

## Writing to a Pipe or FIFO

When a user process calls `write(2)`, data is sent down the associated stream. If the pipe or FIFO is empty (no modules pushed), the data that is written is placed on the read queue of the other stream for pipes, and on the read queue of the same stream for FIFOs. Since the size of a pipe is the number of unread data bytes, the written data is reflected in the size of the other end of the pipe.

### Zero-Length Writes

If a user process issues `write(2)` with 0 as the number of bytes to send a pipe or FIFO, 0 is returned, and, by default, no message is sent down the stream. However, if a user must send a zero-length message downstream, `SNDZERO` `ioctl(2)` can be used to change this default behavior. If `SNDZERO` is set in the stream head, `write(2)` requests of 0 bytes generate a zero-length message and send the message down the stream. If `SNDZERO` is not set, no message is generated and 0 is returned to the user.

The `SNDZERO` bit may be changed by the `I_SWROPT` `ioctl(2)`. If the `arg` in the `ioctl(2)` has `SNDZERO` set, the bit is turned on. If the `arg` is set to 0, the `SNDZERO` bit is turned off.

The `I_GWROPT` `ioctl(2)` is used to get the current write settings.

### Atomic Writes

If multiple processes simultaneously write to the same pipe, data from one process can be interleaved with data from another process, if modules are pushed on the pipe or the write is greater than `PIPE_BUF`. The order of data that is written is not necessarily the order of data that is read. To ensure that writes of less than `PIPE_BUF` bytes are not interleaved with data written by other processes, any modules pushed on the pipe should have a maximum packet size of at least `PIPE_BUF`.

---

**Note** - `PIPE_BUF` is an implementation-specific constant that specifies the maximum number of bytes that are atomic when writing to a pipe. When writing to a pipe, write requests of `PIPE_BUF` or fewer bytes are not interleaved with data from other processes doing writes to the same pipe. However, write requests of more than `PIPE_BUF` bytes may have data interleaved on arbitrary byte boundaries with writes by other processes whether or not the `O_NONBLOCK` or `O_NDELAY` flag is set.

---

If the module packet size is at least the size of `PIPE_BUF`, the stream head packages the data in such a way that the first message is at least `PIPE_BUF` bytes. The remaining data may be packaged into smaller or equal-sized blocks depending on buffer availability. If the first module on the stream cannot support a packet of `PIPE_BUF`, atomic writes on the pipe cannot be guaranteed.

## Closing a Pipe or FIFO

`close(2)` closes a pipe or FIFO and dismantles its associated streams. On the last close of one end of a pipe, an `M_HANGUP` message is sent to the other end of the pipe. Subsequent `read(2)` or `getmsg(2)` calls on that stream head return the number of bytes read and zero when there are no more data. Subsequent `write(2)` or `putmsg(2)` requests fail with `errno` set to `EPIPE`. If the other end of the pipe is mounted, the last close of the pipe forces it to be unmounted.

## Flushing Pipes and FIFOs

When the flush request is initiated from an `ioctl(2)` or from `flushq(9F)`, the `FLUSHR` or the `FLUSHW` bits of an `M_FLUSH` message must be switched. Bits are switched at the point where the `M_FLUSH` message is passed from a write queue to a read queue. This point is also known as the *midpoint* of the pipe.

The midpoint of a pipe is not always easily detectable, especially if there are numerous modules pushed on either end of the pipe. In that case, some mechanism needs to intercept all messages passing through the stream. If the message is an `M_FLUSH` message and it is at the stream midpoint, the flush bits need to be switched.

This bit switching is handled by the `pipemod` module. `pipemod` should be pushed onto a pipe or FIFO where flushing of any kind will take place. The `pipemod(7M)` module can be pushed on either end of the pipe. The only requirement is that it is pushed onto an end that previously did not have modules on it. That is, `pipemod(7M)` must be the first module pushed onto a pipe so that it is at the midpoint of the pipe itself.

The `pipemod(7M)` module handles only `M_FLUSH` messages. All other messages are passed to the next module using the `putnext(9F)` utility routine. If an `M_FLUSH` message is passed to `pipemod(7M)` and the `FLUSHR` and `FLUSHW` bits are set, the message is not processed but is passed to the next module using `putnext(9F)`. If only the `FLUSHR` bit is set, it is turned off and the `FLUSHW` bit is set. The message is then passed to the next module, using `putnext(9F)`. Similarly, if the `FLUSHW` bit was the only bit set in the `M_FLUSH` message, it is turned off and the `FLUSHR` bit is turned on. The message is then passed to the next module on the stream.

The [pipemod\(7M\)](#) module can be pushed on any stream if it requires the bit switching.

## Named Streams

The name of a stream or STREAMS-based pipe often associates the stream with an existing node in the file system name space. This allows unrelated processes to open the pipe and exchange data with the application. The following interfaces support naming a stream or STREAMS-based pipe.

[fattach\(3C\)](#) Attaches a stream file descriptor to a node in the file system name space, thus naming the stream.

[fdetach\(3C\)](#) Detaches a named stream file descriptor from its node in the file system name space, thus unaming the stream.

[isastream\(3C\)](#) Tests whether a file descriptor is associated with a stream.

Named streams are useful for passing file descriptors between unrelated processes on the same system. A user process can send a file descriptor to another process by invoking the [I\\_SENDFD ioctl\(2\)](#) on one end of a named stream. This sends a message containing a file pointer to the stream head at the other end of the pipe. Another process can retrieve the message containing the file pointer by an [I\\_RECVFD ioctl\(2\)](#) call on the other end of the pipe.

## Unique Connections

With named pipes, client processes may communicate with a server process using the [connld](#) module which lets a client process get a unique, non-multiplexed connection to a server. [connld\(7M\)](#) is a STREAMS-based module that has `open`, `close`, and `put` procedures.

When the named stream is opened, the `open` routine of [connld\(7M\)](#) is called. The `open` fails if:

- The pipe ends cannot be created.
- A file pointer and file descriptor cannot be allocated.
- The stream head cannot stream the two pipe ends.

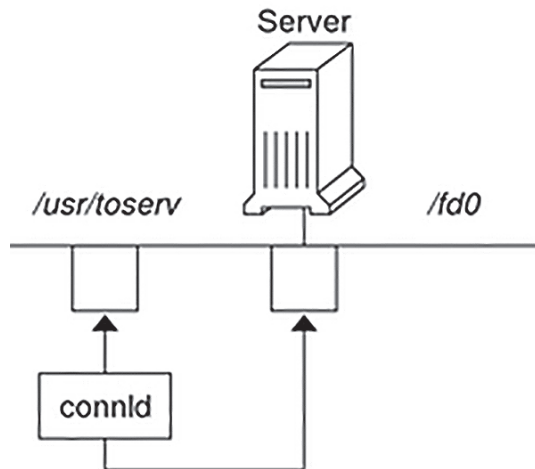
The `open` is not complete and will block until the server process has received the file descriptor using the [I\\_RECVFD ioctl](#). The setting of the `O_NDELAY` or `O_NONBLOCK` flag has no impact on the `open` routine.

`connld(7M)` does not process messages. All messages are passed to the next object in the stream. The read, write, and put routines call `putnext(9F)` to send the message up or down the stream.

The `connld(7M)` module can be pushed onto the named end of the pipe. If the named end of the pipe is then opened by a client, a new pipe is created. One file descriptor for the new pipe is passed back to a client (named stream) as the file descriptor from `open(2)` and the other file descriptor is passed to the server using `I_RECUFD ioctl(2)`. The server and the client may then communicate through a new pipe.

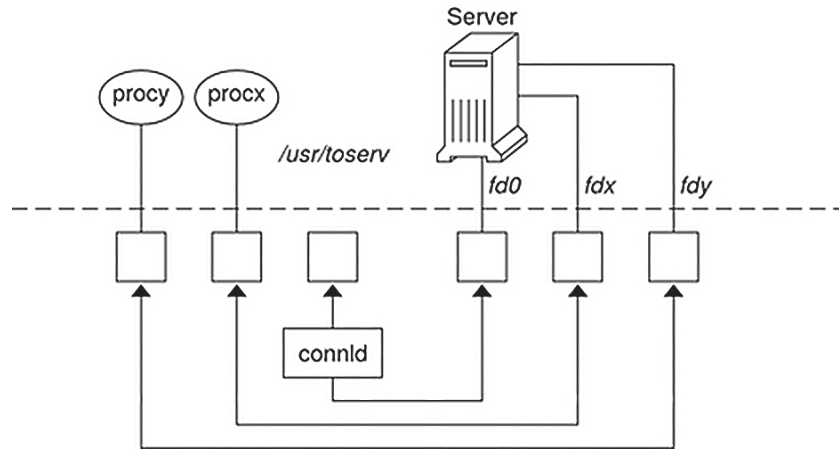
Figure 14, “Server Sets Up a Pipe,” on page 96 shows a server process that has created a pipe and pushed the `connld` module on the other end. The server then invokes the `fattach(3C)` routine to name the other end `/usr/toserv`.

**FIGURE 14** Server Sets Up a Pipe





**FIGURE 15** Processes X and Y Open /usr/toserv



When process X (procx) opens /usr/toserv, it gains a unique connection to the server process that was at one end of the original STREAMS-based pipe. When process Y (procy) does the same, it also gains a unique connection to the server. As shown in [Figure 15, “Processes X and Y Open /usr/toserv,” on page 97](#), the server process has access to three separate pipes through three file descriptors.



## PART II

# STREAMS Kernel Interface

Part II of this guide contains:

[Chapter 7, “STREAMS Framework – Kernel Level”](#) describes the STREAMS components from the kernel developer's perspective.

[Chapter 8, “STREAMS Kernel-Level Mechanisms”](#) describes the structure and use of each STREAMS message type.

[Chapter 9, “STREAMS Drivers”](#) discusses several topics specific to STREAMS device drivers.

[Chapter 10, “STREAMS Modules”](#) provides specific examples of how modules work.

[Chapter 11, “Configuring STREAMS Drivers and Modules”](#) describes how to configure STREAMS drivers and modules into the Oracle Solaris operating environment.

[Chapter 12, “Multithreaded STREAMS”](#) describes how to multithread a STREAMS driver or module.

[Chapter 13, “STREAMS Multiplex Drivers”](#) describes how STREAMS multiplexing configurations are created and also discusses multiplexing drivers.



## STREAMS Framework – Kernel Level

---

Because the STREAMS subsystem of UNIX provides a framework on which communications services can be built, it is often called the STREAMS *framework*. This framework consists of the stream head and a series of utilities (`put`, `putnext`), kernel structures (`mblk`, `dblk`), and linkages (queues) that facilitate the interconnections between modules, drivers, and basic system calls.

This chapter describes the STREAMS components from the kernel developer's perspective.

- [“Overview of Streams in Kernel Space” on page 101](#)
- [“Stream Head” on page 102](#)
- [“Kernel-Level Messages” on page 102](#)
- [“Message Queues” on page 112](#)
- [“Entry Points” on page 116](#)
- [“Flow Control in Service Procedures” on page 132](#)

### Overview of Streams in Kernel Space

[Chapter 1, “Overview of STREAMS”](#) describes a stream as a full-duplex processing and data transfer path between a STREAMS driver in kernel space and a process in user space. In the kernel, a stream consists of a stream head, a driver, and zero or more modules between the driver and the stream head.

The stream head is the end of the stream nearest the user process. All system calls made by user-level applications on a stream are processed by the stream head.

Messages are the containers in which data and control information is passed between the stream head, modules, and drivers. The stream head is responsible for translating the appropriate messages between the user application and the kernel. Messages are simply pointers to structures (`mblk`, `dblk`) that describe the data contained in them. Messages are categorized by type according to the purpose and priority of the message.

Queues are the basic elements by which the stream head, modules, and drivers are connected. Queues identify the `open`, `close`, `put`, and `service` entry points. Additionally, queues specify parameters and private data for use by modules and drivers, and are the repository for messages destined for deferred processing.

In the rest of this chapter, the word "modules" refers to modules, drivers, or multiplexers, except where noted.

## Stream Head

The stream head interacts between applications in the user space and the rest of the stream in kernel space. The stream head is responsible for configuring the plumbing of the stream through `open`, `close`, `push`, `pop`, `link`, and `unlink` operations. It also translates user data into messages to be passed down the stream, and translates messages that arrive at the stream head into user data. Any characteristics of the stream that can be modified by the user application or the underlying stream are controlled by the stream head, which also informs users of data arrival and events such as error conditions.

If an application makes a system call with a STREAMS file descriptor, the stream head routines are invoked, resulting in data copying, message generation, or control operations. Only the stream head can copy data between the user space and kernel space. All other parts of the stream pass data by way of messages and are thus isolated from direct interaction with users of the stream.

## Kernel-Level Messages

[Chapter 3, “STREAMS Application-Level Mechanisms”](#) discusses messages from the application perspective. The following sections discuss message types, message structure and linkage; how messages are sent and received; and message queues and priority from the kernel perspective.

## Message Types

Several STREAMS messages differ in their purpose and queueing priority. The message types are briefly described and classified, according to their queueing priority, in [Table 10, “Ordinary Messages, Description of Communication Flow,”](#) on page 103 and [Table 11, “High-Priority](#)

[Messages, Description of Communication Flow,” on page 103](#). A detailed discussion of message types is in [Chapter 8, “STREAMS Kernel-Level Mechanisms”](#).

Some message types are defined as high-priority types. Ordinary or normal messages can have a normal priority of 0, or a priority (also called a *band*) from 1 to 255.

**TABLE 10** Ordinary Messages, Description of Communication Flow

Ordinary Messages	Description	Direction
M_BREAK	Request to a stream driver to send a "break"	Upstream
M_CTL	Control or status request used for intermodule communication	Bidirectional
M_DATA	User data message for I/O system calls	Bidirectional
M_DELAY	Request for a real-time delay on output	Downstream
M_IOCTL	Control/status request generated by a stream head	Downstream
M_PASSFP	File pointer-passing message	Bidirectional
M_PROTO	Protocol control information	Bidirectional
M_SETOPTS	Sets options at the stream head; sends upstream	Upstream
M_SIG	Signal sent from a module or driver	Upstream

**TABLE 11** High-Priority Messages, Description of Communication Flow

High-Priority Messages	Description	Direction
M_COPYIN	Copies in data for transparent <code>ioctl</code> s	Upstream
M_COPYOUT	Copies out data for transparent <code>ioctl</code> s	Upstream
M_ERROR	Reports downstream error condition	Upstream
M_FLUSH	Flushes module queue	Bidirectional
M_HANGUP	Sets a stream head hangup condition	Upstream
M_UNHANGUP	Reconnects line, sends upstream when hangup reverses	Upstream
M_IOCACK	Positive <code>ioctl</code> acknowledgement	Upstream
M_IOCADATA	Data for transparent <code>ioctl</code> s, sent downstream	Downstream
M_IOCNAK	Negative <code>ioctl</code> acknowledgement	Upstream
M_PCPROTO	Protocol control information	Bidirectional
M_PCSIG	Sends signal from a module or driver	Upstream
M_READ	Read notification; sends downstream	Downstream
M_START	Restarts stopped device output	Downstream
M_STARTI	Restarts stopped device input	Downstream
M_STOP	Suspends output	Downstream
M_STOPI	Suspends input	Downstream

## Message Structure

A STREAMS message in its simplest form contains three elements – a message block, a data block, and a data buffer. The data buffer is the location in memory where the actual data of the message is stored. The data block ([datab\(9S\)](#)) describes the data buffer – where it starts, where it ends, the message types, and how many message blocks reference it. The message block ([msgb\(9S\)](#)) describes the data block and how the data is used.

The data block has a typedef of `dbl_t` and has the following public elements:

```
struct datab {
    unsigned char    *db_base;        /* first byte of buffer */
    unsigned char    *db_lim;        /* last byte+1 of buffer */
    unsigned char    db_ref;        /* msg count ptg to this blk */
    unsigned char    db_type;        /* msg type */
};

typedef struct datab dbl_t;
```

The `datab` structure specifies the data buffers' fixed limits (`db_base` and `db_lim`), a reference count field (`db_ref`), and the message type field (`db_type`). `db_base` points to the address where the data buffer starts, `db_lim` points one byte beyond where the data buffer ends, and `db_ref` maintains a count of the number of message blocks sharing the data buffer.



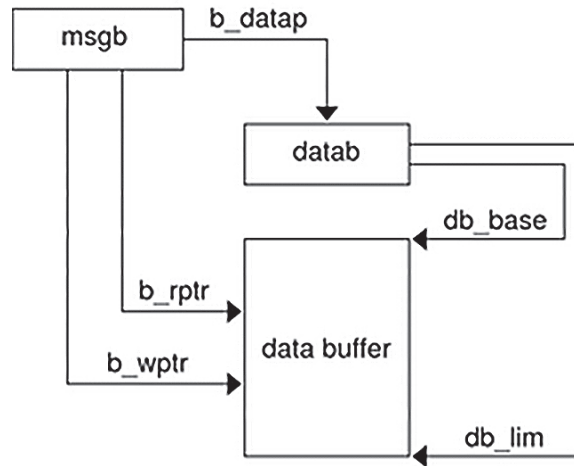
**Caution** - `db_base`, `db_lim`, and `db_ref` should not be modified directly. `db_type` is modified under carefully monitored conditions, such as changing the message type to reuse the message block.

---

In a simple message, the message block references the data block, identifying for each message the address where the message data begins and ends. Each simple message block refers to the data block to identify these addresses, which must be within the confines of the buffer such that `db_base ≥ b_rptr ≥ b_wptr ≥ db_lim`. For ordinary messages, a priority band can be indicated, and this band is used if the message is queued.

[Figure 16, “Simple Message Referencing the Data Block,” on page 105](#) shows the linkages between `msgb`, `datab`, and the data buffer in a simple message.



**FIGURE 16** Simple Message Referencing the Data Block

The message block (see [msgb\(9S\)](#)) has a typedef of `mbk_t` and has the following public elements:

```

struct msgb {
    struct msgb      *b_next;      /*next msg in queue*/
    struct msgb      *b_prev;      /*previous msg in queue*/
    struct msgb      *b_cont;      /*next msg block of message*/
    unsigned char    *b_rptr;      /*1st unread byte in bufr*/
    unsigned char    *b_wptr;      /*1st unwritten byte in bufr*/
    struct datab     *b_datap;     /*data block*/
    unsigned char    b_band;       /*message priority*/
    unsigned short   b_flag;       /*message flags*/
};
  
```

The STREAMS framework uses the `b_next` and `b_prev` fields to link messages into queues. `b_rptr` and `b_wptr` specify the current read and write pointers respectively, in the data buffer pointed to by `b_datap`. The fields `b_rptr` and `b_wptr` are maintained by drivers and modules.

The field `b_band` specifies a priority band where the message is placed when it is queued using the STREAMS utility routines. This field has no meaning for high-priority messages and is set to zero for these messages. When a message is allocated using [allocb\(9F\)](#), the `b_band` field is initially set to zero. Modules and drivers can set this field to a value from 0 to 255 depending on the number of priority bands needed. Lower numbers represent lower priority. The kernel incurs overhead in maintaining bands if nonzero numbers are used.



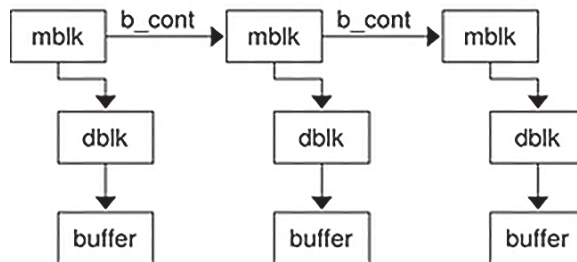
**Caution** - Message block data elements must not modify `b_next`, `b_prev`, or `b_datap`. The first two fields are modified by utility routines such as `putq(9F)` and `getq(9F)`. Message block data elements can modify `b_cont`, `b_rptr`, `b_wptr`, `b_band` (for ordinary messages types), and `b_flag`.

The Oracle Solaris environment places `b_band` in the `msgb` structure. Some other STREAMS implementations place `b_band` in the `datap` structure. The Oracle Solaris implementation is more flexible because each message is independent. For shared data blocks, the `b_band` can differ in the Oracle Solaris implementation, but not in other implementations.

## Message Linkage

A complex message can consist of several linked message blocks. If buffer size is limited or if processing expands the message, multiple message blocks are formed in the message, as shown in [Figure 17, “Linked Message Blocks,” on page 106](#). When a message is composed of multiple message blocks, the type associated with the first message block determines the overall message type, regardless of the types of the attached message blocks.

**FIGURE 17** Linked Message Blocks



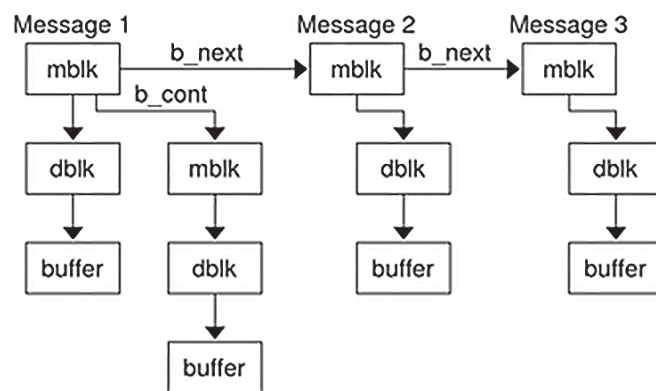
## Queued Messages

A put procedure processes single messages immediately and can pass the message to the next module's put procedure using `put` or `putnext`. Alternatively, the message is linked on

the message queue for later processing, to be processed by a module's service procedure ([putq\(9F\)](#)). Note that only the first module of a set of linked modules is linked to the next message in the queue.

Think of linked message blocks as a concatenation of messages. Queued messages are a linked list of individual messages that can also be linked message blocks.

**FIGURE 18** Queued Messages



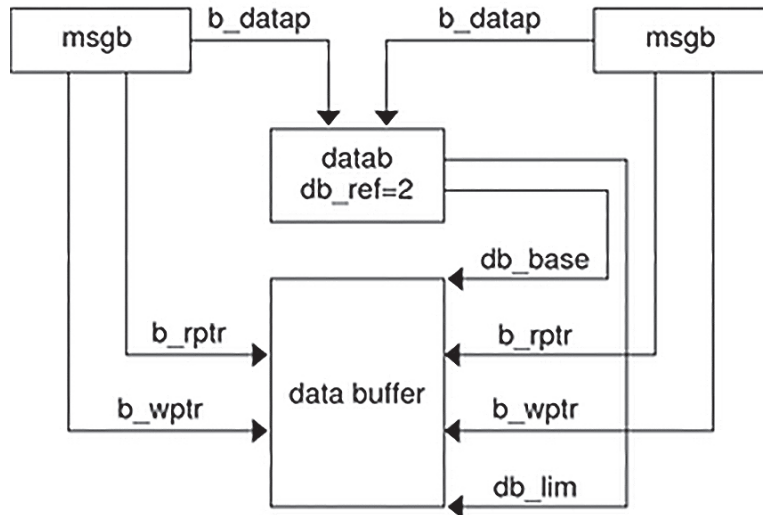
In [Figure 18, “Queued Messages,” on page 107](#) messages are queued: Message 1 being the first message on the queue, followed by Message 2 and Message 3. Notice that Message 1 is a linked message consisting of more than one mblk.



**Caution** - Modules or drivers must not modify `b_next` and `b_prev`. These fields are modified by utility routines such as [putq\(9F\)](#) and [getq\(9F\)](#).

## Shared Data

In [Figure 19, “Shared Data Block,” on page 108](#), two message blocks are shown pointing to one data block. `db_ref` indicates that there are two references (mbkls) to the data block. `db_base` and `db_lim` point to an address range in the data buffer. The `b_rptr` and `b_wptr` of both message blocks must fall within the assigned range specified by the data block.

**FIGURE 19** Shared Data Block

Data blocks are shared using utility routines (see [dupmsg\(9F\)](#) or [dupb\(9F\)](#)). STREAMS maintains a count of the message blocks sharing a data block in the `db_ref` field.

These two `mb`ks share the same data and datablock. If a module changes the contents of the data or message type, it is visible to the owner of the message block.

When modifying data contained in the `db`lk or data buffer, if the reference count of the message is greater than one, the module should copy the message using [copymsg\(9F\)](#), free the duplicated message, and then change the appropriate data.

---

**Note - Hardening Information.** It is assumed that a message with a `db_ref > 1` is a "read-only" message and can be read but not modified. If the module wishes to modify the data, it should first copy the message, and free the original:

```
if ( dbp->db_ref > 1 ) {
    dblk_t *newdbp;

    /* Get a copy of the message */
    newdbp = copymsg(dbp);

    /* Free the original */
    freemsg(dbp);

    /* make sure that we are now using the new dbp */
    dbp = newdbp;
}
```

---

STREAMS provides utility routines and macros (identified in [Appendix B, “Kernel Utility Interface Summary”](#)) to assist in managing messages and message queues, and in other areas of module and driver development. Always use utility routines to operate on a message queue or to free or allocate messages. If messages are manipulated in the queue without using the STREAMS utilities, the message ordering can become confused and cause inconsistent results.




---

**Caution** - Not adhering to the DDI/DKI can result in panics and system crashes.

---

## Sending and Receiving Messages

Among the message types, the most commonly used messages are `M_DATA`, `M_PROTO`, and `M_PCPROTO`. These messages can be passed between a process and the topmost module in a stream, with the same message boundary alignment maintained between user and kernel space. This allows a user process to function, to some degree, as a module above the stream and maintain a service interface. `M_PROTO` and `M_PCPROTO` messages carry service interface information among modules, drivers, and user processes.

Modules and drivers do not interact directly with any interfaces except `open(2)` and `close(2)`. The stream head translates and passes all messages between user processes and the uppermost STREAMS module. Message transfers between a process and the stream head can occur in different forms. For example, `M_DATA` and `M_PROTO` messages can be transferred in their direct form by `getmsg(2)` and `putmsg(2)`. Alternatively, `write(2)` creates one or more `M_DATA`

messages from the data buffer supplied in the call. `M_DATA` messages received at the stream head are consumed by `read(2)` and copied into the user buffer.

Any module or driver can send any message in either direction on a stream. However, based on their intended use in STREAMS and their treatment by the stream head, certain messages can be categorized as upstream, downstream, or bidirectional. For example, `M_DATA`, `M_PROTO`, or `M_PCPROTO` messages can be sent in both directions. Other message types such as `M_IOACK` are sent upstream to be processed only by the stream head. Messages to be sent downstream are silently discarded if received by the stream head. [Table 10, “Ordinary Messages, Description of Communication Flow,” on page 103](#) and [Table 11, “High-Priority Messages, Description of Communication Flow,” on page 103](#) indicate the intended direction of message types.

STREAMS enables modules to create messages and pass them to neighboring modules. `read(2)` and `write(2)` are not enough to enable a user process to generate and receive all messages. In the first place, `read(2)` and `write(2)` are byte-stream oriented with no concept of message boundaries. The message boundary of each service primitive must be preserved so that the start and end of each primitive can be located in order to support service interfaces. Furthermore, `read(2)` and `write(2)` offer only one buffer to the user for transmitting and receiving STREAMS messages. If control information and data is placed in a single buffer, the user has to parse the contents of the buffer to separate the data from the control information. Furthermore, `read(2)` and `write(2)` offer only one buffer to the user for transmitting and receiving STREAMS messages. If control information and data is placed in a single buffer, the user has to parse the contents of the buffer to separate the data from the control information.

`getmsg(2)` and `putmsg(2)` enable a user process and the stream to pass data and control information between one another while maintaining distinct message boundaries.

## Data Alignment

---

**Note - Hardening Information.** There is no guarantee in STREAMS that a `b_rptr` or `b_wptr` will fall on a proper bit alignment. Most modules that pass data structures with pointers try to retain the desired bit alignment. If the module is in a stream where this is reasonably guaranteed, it does not need to check data alignment. However, for the purpose of hardening, modules that are concerned about data alignment should verify that pointers are properly aligned, or copy data in `mb_tks` to local structures that are properly aligned (see `bcopy(3C)`).

---

---

**Note - Hardening Information.** Ensure that the changing of pointers is uniform (`b_rptr <= b_rptr`). Keep pointers inside `db_base` and `db_lim`. It is easier to recover from an error if `b_rptr` and `b_wptr` are inside `db_base` and `db_lim`.

When a module changes the `b_rptr` and/or the `b_wptr`, it should verify the following relationship:

```
db_base <= b_rptr <= b_wptr <= db_lim
```

and

```
db_base < db_lim
```

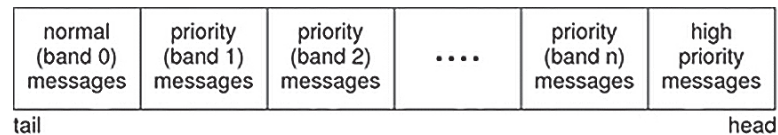
---

## Message Queues and Message Priority

Message queues grow when the STREAMS scheduler is delayed from calling a service procedure by system activity, or when the procedure is blocked by flow control. When called by the scheduler, a module's service procedure processes queued messages in a FIFO manner (`getq(9F)`). However, some messages associated with certain conditions, such as `M_ERROR`, must reach their stream destination as rapidly as possible. This is accomplished by associating priorities with the messages. These priorities imply a certain ordering of messages in the queue, as shown in [Figure 20, "Message Ordering in a Queue,"](#) on page 111.

Each message has a priority band associated with it. Ordinary messages have a priority band of zero. The priority band of high-priority messages is ignored since they are high priority and thus not affected by flow control. `putq(9F)` places high-priority messages at the head of the message queue, followed by priority band messages (expedited data) and ordinary messages.

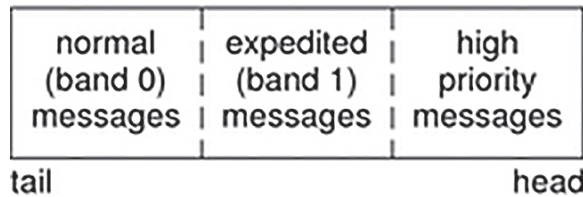
**FIGURE 20** Message Ordering in a Queue



When a message is queued, it is placed after the messages of the same priority already in the queue (in other words, FIFO within their order of queueing). This affects the flow-control

parameters associated with the band of the same priority. Message priorities range from 0 (normal) to 255 (highest). This provides up to 256 bands of message flow within a stream. An example of how to implement expedited data would be with one extra band of data flow (priority band 1), is shown in the following figure. Queues are explained in detail in the next section.

**FIGURE 21** Message Ordering with One Priority Band



High-priority messages are not subject to flow control. When they are queued by `putq(9F)`, the associated queue is always scheduled, even if the queue has been disabled (`noenable(9F)`). When the service procedure is called by the stream's scheduler, the procedure uses `getq(9F)` to retrieve the first message on queue, which is a high-priority message. Service procedures must be implemented to act on high-priority messages immediately. The mechanisms just mentioned – priority message queueing, absence of flow control, and immediate processing by a procedure – result in rapid transport of high-priority messages between the originating and destination components in the stream.

In general, high-priority messages should be processed immediately by the module's `put` procedure and not placed on the `service` queue.




---

**Caution** - A service procedure must never queue a high-priority message on its own queue because an infinite loop results. The enqueueing triggers the queue to be immediately scheduled again.

---

## Message Queues

The queue is the fundamental component of a stream. It is the interface between a STREAMS module and the rest of the stream, and is the repository for deferred message processing. For

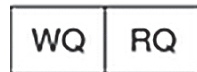


each instance of an open driver or pushed module or stream head, a pair of queues is allocated, one for the read side of the stream and one for the write side.

The `RD(9F)`, `WR(9F)`, and `OTHERQ(9F)` routines allow reference of one queue from the other. Given a queue, `RD(9F)` returns a pointer to the read queue, `WR(9F)` returns a pointer to the write queue and `OTHERQ(9F)` returns a pointer to the opposite queue of the pair (see `queue(9S)`).

By convention, queue pairs are depicted graphically as side- by- side blocks, with the write queue on the left and the read queue on the right (see following figure).

**FIGURE 22** Queue Pair Allocation



## queue() Structure

As previously discussed, messages are ordered in message queues. Message queues, message priority, service procedures, and basic flow control all combine in STREAMS. A service procedure processes the messages in its queue. If there is no service procedure for a queue, `putq(9F)` does not schedule the queue to be run. The module developer must ensure that the messages in the queue are processed. Message priority and flow control are associated with message queues.

The queue structure is defined in `stream.h` as a typedef `queue_t`, and has the following public elements:

```
struct qinit  *q_qinfo; /* procs and limits for queue */
struct msgb  *q_first; /* first data block */
struct msgb  *q_last; /* last data block */
struct queue *q_next; /* Q of next stream */
struct queue *q_link; /* to next Q for scheduling */
void         *q_ptr; /* to private data structure */
size_t       q_count; /* number of bytes on Q */
uint         q_flag; /* queue state */
ssize_t      q_minpsz; /* min packet size accepted by this module */
ssize_t      q_maxpsz; /* max packet size accepted by this module */
size_t       q_hiwat; /* queue high-water mark */
```

```
size_t          q_lowat; /* queue low-water mark */
```

`q_first` points to the first message on the queue, and `q_last` points to the last message on the queue. `q_count` is used in flow control and contains the total number of bytes contained in normal and high-priority messages in band 0 of this queue. Each band is flow controlled individually and has its own count. For more details, see [“qband Structure” on page 128](#). [`qsize\(9F\)`](#) can be used to determine the total number of messages on the queue. `q_flag` indicates the state of the queue. See [Table 12, “Queue Flags,” on page 114](#) for the definitions of these flags.

`q_minpsz` contains the minimum packet size accepted by the queue, and `q_maxpsz` contains the maximum packet size accepted by the queue. These are suggested limits, and some implementations of STREAMS may not enforce them. The Oracle Solaris stream head enforces these values but they are voluntary at the module level. You should design modules to handle messages of any size.

`q_hiwat` indicates the limiting maximum number of bytes that can be put on a queue before flow control occurs. `q_lowat` indicates the lower limit where STREAMS flow control is released.

`q_ptr` is the element of the queue structure where modules can put values or pointers to data structures that are private to the module. This data can include any information required by the module for processing messages passed through the module, such as state information, module IDs, routing tables, and so on. Effectively, this element can be used any way the module or driver writer chooses. `q_ptr` can be accessed or changed directly by the driver, and is typically initialized in the [`open\(9E\)`](#) routine.

When a queue pair is allocated, `streamtab` initializes `q_qinfo`, and `module_info` initializes `q_minpsz`, `q_maxpsz`, `q_hiwat`, and `q_lowat`. Copying values from the `module_info` structure enables them to be changed in the queue without modifying the `streamtab` and `module_info` values.

The following table lists the [`queue\(9S\)`](#) flags.

**TABLE 12** Queue Flags

Flag	Description
QENAB	The queue is enabled to run the service procedure
QWANTR	Someone wants to read queue
QWANTW	Someone wants to write to queue
QFULL	The queue is full
QREADR	Set for all read queues

Flag	Description
QUSE	This queue in use (allocation)
QNOENB	Do not enable the queue when data is placed on it

## Using Queue Information

The `q_first`, `q_last`, `q_count`, and `q_flags` components must not be modified by the module, and should be accessed using `strqget(9F)`. The values of `q_minpsz`, `q_maxpsz`, `q_hiwat`, and `q_lowat` are accessed through `strqget(9F)`, and are modified by `strqset(9F)`. `q_ptr` can be accessed and modified by the module and contains data private to the module.

All other accesses to fields in the `queue(9S)` structure should be made through STREAMS utility routines (see Appendix B, "STREAMS Utilities"). Modules and drivers should not change any fields not explicitly listed previously.

`strqget(9F)` enables modules and drivers to get information about a queue or particular band of the queue. This insulates the STREAMS data structures from the modules and drivers. The prototype for the `strqget(9F)` routine is:

```
int
strqget(queue_t *q, qfields_t what, unsigned char pri, void *valp)
```

`q` specifies from which queue the information is to be retrieved; `what` defines the `queue_t` field value to obtain (see the following structure fields). `pri` identifies a specific priority band. The value of the field is returned in `valp`. The fields that can be obtained are defined in `<sys/stream.h>` and shown here as:

```
QHIWAT          /* high-water mark */
QLOWAT          /* low-water mark */
QMAXPSZ         /* largest packet accepted */
QMINPSZ         /* smallest packet accepted */
QCOUNT        /* approx. size (in bytes) of data */
QFIRST          /* first message */
QLAST           /* last message */
QFLAG           /* status */
```

`strqset(9F)` enables modules and drivers to change information about a queue or a band of the queue. This also insulates the STREAMS data structures from the modules and drivers. Its prototype is:

```
int
strqset(queue_t *q, qfields_t what, unsigned char pri, intptr_t val)
```

The *q*, *what*, and *pri* fields are the same as in [strqget\(9F\)](#), but the information to be updated is provided in *val* instead of through a pointer. If the field is read-only, EPERM is returned and the field is left unchanged. The following fields are read-only: QCOUNT, QFIRST, QLAST, and QFLAG.

---

**Note - Hardening Information.** Access queue structure information, through `strqget()` and `strqset()` only. Do not access the queue structure directly.

---

## Entry Points

The `q_qinfo` component points to a `qinit` structure. This structure defines the module's entry point procedures for each queue, which include the following:

```
int      (*qi_putp)();      /* put procedure */
int      (*qi_srvp)();      /* service procedure */
int      (*qi_qopen)();     /* open procedure */
int      (*qi_qclose)();    /* close procedure */
struct module_info *qi_minfo; /* module information structure */
```

There is generally a unique `q_init` structure associated with the read queue and the write queue. `qi_putp` identifies the put procedure for the module. `qi_srvp` identifies the optional service procedure for the module.

The open and close entry points are required for the read-side queue. The put procedure is generally required on both queues and the service procedure is optional.

---

**Note - Hardening Information.** If the put procedure is not defined and a subsequent put is done to the module, a panic occurs. As a precaution, `putnext` should be declared as the module's put procedure.

If a module only requires a service procedure, [putq\(9F\)](#) can be used as the module's put procedure. If the service procedure is not defined, the module's put procedure must not queue data (`putq`).

---

The `qi_qopen` member of the read-side `qinit` structure identifies the [open\(9E\)](#) entry point of the module. The `qi_qclose` member of the read-side `qinit` structure identifies the [close\(9E\)](#) entry point of the module.

The `qi_minfo` member points to the [module\\_info\(9S\)](#) structure.

```
struct module_info {
    ushort    mi_idnum;          /* module id number */
```

```

char    *mi_idname;        /* module name */
ssize_t mi_minpsz;        /* min packet size accepted */
ssize_t mi_maxpsz;        /* max packet size accepted */
size_t  mi_hiwat;         /* hi-water mark */
size_t  mi_lowat;         /* lo-water mark */
};

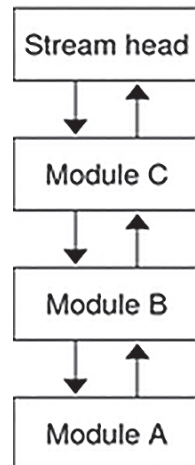
```

`mi_idnum` is the module's unique identifier defined by the developer and used in `strlog(9F)`. `mi_idname` is an ASCII string containing the name of the module. `mi_minpsz` is the initial minimum packet size of the queue. `mi_maxpsz` is the initial maximum packet size of the queue. `mi_hiwat` is the initial high-water mark of the queue. `mi_lowat` is the initial low-water mark of the queue.

## open Routine

The `open(9E)` routine of a device is called once for the initial open of the device, then is called again on subsequent reopens of the stream. Module open routines are called once for the initial push onto the stream and again on subsequent reopens of the stream.

**FIGURE 23** Order of a Module's open Procedure



The stream is analogous to a stack. Initially the driver is opened and as modules are pushed onto the stream, their open routines are invoked. Once the stream is built, this order reverses if a reopen of the stream occurs. For example, while building the stream shown in [Figure 23](#), “Order

of a Module's open Procedure,” on page 117, device A's open routine is called, followed by B's and C's when they are pushed onto the stream. If the stream is reopened, Module C's open routine is called first, followed by B's, and finally by A's.

Usually the module or driver does not check this, but the issue is raised so that dependencies on the order of open routines are not introduced by the programmer. Note that although an open can happen more than once, `close` is only called once. See the next section on the close routine for more details. If a file is duplicated (`dup(2)`) the stream is not reopened.

The prototype for the open entry point is:

```
int prefix_open(queue_t *q, dev_t *devp, int oflag, int sflag,
                cred_t *cred_p)
```

<i>q</i>	Pointer to the read queue of this module.
<i>devp</i>	Pointer to a device number that is always associated with the device at the end of the stream. Modules cannot modify this value, but drivers can, as described in <a href="#">Chapter 9, “STREAMS Drivers”</a> .
<i>oflag</i>	For devices, <i>oflag</i> can contain the following bit mask values: FEXCL, FNDELAY, FREAD, and FWRITE. See <a href="#">Chapter 9, “STREAMS Drivers”</a> for more information on drivers.
<i>sflag</i>	When the open is associated with a driver, <i>sflag</i> is set to 0 or CLONEOPEN, see <a href="#">Chapter 9, “STREAMS Drivers”, “Cloning STREAMS Drivers” on page 212</a> for more details. If the open is associated with a module, <i>sflag</i> contains the value MODOPEN.
<i>cred_p</i>	Pointer to the user credentials structure.

The open routines to devices are serialized . If more than one process attempts to open the device, only one proceeds and the others wait until the first finishes. Interrupts are not blocked during an open. The driver's interrupt routine must continue to handle interrupts when multiple processes are opening the same device. See [Chapter 9, “STREAMS Drivers”](#) for more information.

The open routines for both drivers and modules have user context. For example, they can do blocking operations, but the blocking routine should return in the event of a signal. In other words, `q_wait_sig` is allowed, but `q_wait` is not.

If the module or driver is to allocate a controlling terminal, it should send an `M_SETOPTS` message with `SO_ISTTY` set to the stream head.

The open routine usually initializes the `q_ptr` member of the queue. `q_ptr` is generally initialized to some private data structure that contains various state information private to the

module or driver. The module's `close` routine is responsible for freeing resources allocated by the module including `q_ptr`. The following example shows a simple `open` routine.

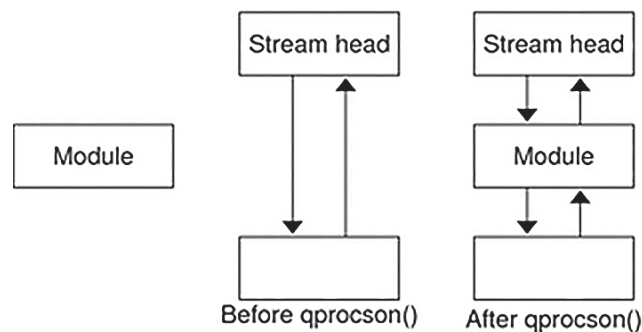
**EXAMPLE 13** A Simple `open` Routine

```
/* example of a module open */
int xx_open(queue_t *q, dev_t *devp, int oflag, int sflag, cred_t *crp)
{
    struct xxstr *xx_ptr;

    xx_ptr = kmemzalloc(sizeof(struct xxstr), KM_SLEEP);
    xx_ptr->xx_foo = 1;
    q->q_ptr = WR(q)->q_ptr = xx_ptr;
    qprocson(q);
    return (0);
}
```

In a multithreaded environment, data can flow up the stream during the `open`. A module receiving this data before its `open` routine finishes initialization can panic. To eliminate this problem, modules and drivers are not linked into the stream until `qprocson(9F)` is called (messages flow around the module). The following figure illustrates this process. See [Chapter 12, “Multithreaded STREAMS”](#) for more information on the multithreaded environment and the use of perimeters.

**FIGURE 24** Messages Flowing Around the Module Before `qprocson`



The module or driver instance is guaranteed to be single-threaded before `qprocson(9F)` is called, except for interrupts or callbacks that must be handled separately.

---

**Note - Hardening Information.** `qprocson` must be called before calling `qbufcall(9F)`, `qtimeout(9F)`, `qwait(9F)`, or `qwait_sig(9F)`.

Before a module calls `qprocson`, it must be ready to accept data via the module's `put` procedure so all data structures must be fully initialized (see “[put Procedure](#)” on page 122). The most common method for calling `qprocson` is to call this function just before returning from a successful `open` (see [Example 13, “A Simple open Routine,”](#) on page 119).

---

**Note -** For a multithreaded environment, verify you are using the correct perimeter before accessing data. See [Chapter 12, “Multithreaded STREAMS”](#) for more information on the multithreaded environment and the use of perimeters.

---

## close Routine

The `close` routine of devices is called only during the last `close` of the device. Module `close` routines are called during the last `close` or if the module is popped.

The prototype for the `close` entry point is:

```
int prefix_close (queue *q, int flag, cred_t * cred_p)
```

`q` is a pointer to the read queue of the module.

`flag` is analogous to the `oflag` parameter of the `open` entry point. If `FNBLOCK` or `FNDELAY` is set, then the module should attempt to avoid blocking during the `close`.

`cred_p` is a pointer to the user credential structure.

Like `open`, the `close` entry point has user context and can block. The blocking routines should return in the event of a signal. Device drivers must take into consideration that interrupts are not blocked during `close`.

`close` might be called in a context where a thread cannot receive signals, such as calling `close` during `exit` closure of open file descriptors. The system does not reawaken the thread when a user-level process attempts to send a signal, including `SIGKILL`, to the process.

Use `ddi_can_receive_sig` to determine whether a thread can receive user-level signals. `ddi_can_receive_sig` returns `B_TRUE` if the current thread can receive user-level signals, and `B_FALSE` if the thread cannot. In this case, `qwait_sig` behaves exactly like `qwait`. Use



qtimeout or other facilities to prevent close from blocking indefinitely when a thread cannot receive signals.

In particular, asynchronous serial drivers should use caution when draining output data after calling close. Under most conditions, the driver must attempt to wait as long as possible to drain all output data and to discard the data only when a signal is received. However, if ddi\_can\_receive\_sig returns B\_FALSE and output flow control is asserted indefinitely by the peer, the driver must abort the drain operation after a reasonable time period has elapsed. Otherwise, the device could remain unusable until the next system boot.

The close routine must cancel all pending and qbufcall callbacks, and process any remaining messages on its service queue. In [Example 14, “Example of a Module Close,” on page 121](#), the open and close procedures are only used on the read side of the queue and can be set to NULL in the write-side qinit structure initialization.

**EXAMPLE 14** Example of a Module Close

```

/* example of a module close */
static int
xx_close(queue_t *, *rq, int flag, cred_t *credp)
{
    struct xxstr    *xsp;

    /*
     * Disable xxput() and xsrv() procedures on this queue.
     */
    qprocsoff(rq);
    xsp = (struct xxstr *) rq->q_ptr;

    /*
     * Cancel any pending timeout.
     * This example assumes that the timeout was issued
     * against the write queue.
     */

    if (xsp->xx_timeoutid != 0) {
        (void) quntimeout(WR(rq), xsp->xx_timeoutid);
        xsp->xx_timeoutid=0;
    }
    /*
     * Cancel any pending bufcalls.
     * This example assumes that the bufcall was issued
     * against the write queue.
     */
    if (xsp->xx_bufcallid !=0) {

```

```
(void) qunbufcall(WR(rq), xxp->xx_bufcallid);
xxp->xx_bufcallid = 0;
}
rq->q_ptr = WR(rq)->q_ptr = NULL;

/*
 * Free resources allocated during open
 */
kmem_free (xxp, sizeof (struct xxstr));
return (0);
}
```

qprocsoff does the inverse operation shown in [Figure 24, “Messages Flowing Around the Module Before qprocson,” on page 119](#). This supports the need for cancelling callbacks before a qprocsoff.

qprocsoff is typically called at the beginning of the close routine. The module can no longer receive messages from adjoining modules. The queue, however, still has pointers to its adjoining modules and can putnext. However, as the queue is no longer inserted into the stream, these messages may be out of order from other messages in the stream, so it is best to process these messages before qprocsoff.

qwait is used because a module needs to get some response from another module or driver in the STREAM (i.e. a DLPI disconnect message sent downstream). qwait and qwait\_sig must also be called before qprocsoff because once the queue is removed from the stream, there will be no way for the reply message to reach the queue.

## put Procedure

The put procedure is the mechanism that other modules use to pass messages into this module. This procedure is called via the putor putnext routines on behalf of other modules. The queue's put procedure is invoked by the preceding module to process a message immediately (see [put\(9F\)](#) and [putnext\(9F\)](#)). Most modules will have a put routine. The common exception is on the read-side of drivers because there will not typically be a module downstream to the driver.

---

**Note - Hardening Information.** putnext is used by adjoining modules to ensure that the next module's queue is intact. Use of put cannot guarantee that the queue being called is currently valid and inserted into a stream; you must ensure that the queue is valid when using put.

---

A driver's put procedure must do one of the following:

- Process and free the message.
- Process and route the message back upstream.

- Queue the message to be processed by the driver's service procedure.

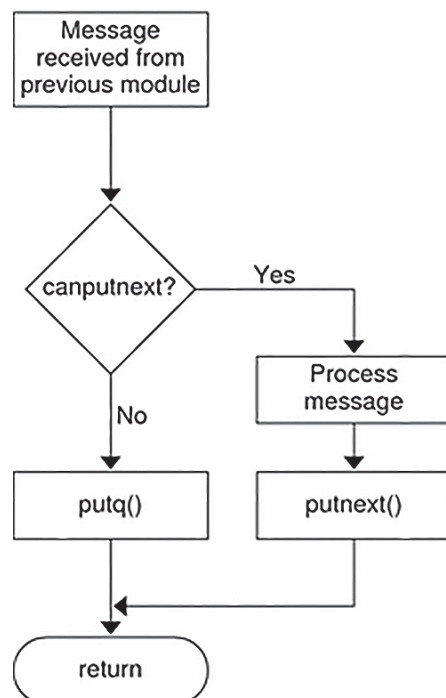
All `M_IOCTL` type messages must be acknowledged through `M_IOACK` or rejected through `M_IOCNAK`. `M_IOCTL` messages should not be freed. Drivers must free any unrecognized message.

A module's `put` procedure must do one of the following as shown in [Figure 25, “Flow of put Procedure,” on page 123](#):

- Process and free the message.
- Process the message and pass it to the next module or driver.
- Queue the message to be processed later by the module's service procedure.

Unrecognized messages are passed to the next module or driver. The stream operates more efficiently when messages are processed in the `put` procedure. Processing a message with the service procedure imposes some latency on the message.

**FIGURE 25** Flow of `put` Procedure



If the next module is flow controlled (see [canput\(9F\)](#) and [canputnext\(9F\)](#)), the put procedure can queue the message for processing by the next service procedure (see [putq\(9F\)](#)). The put routine is always called before the component's corresponding [srv\(9E\)](#) service routine, so always use put for immediate message processing.

---

**Note - Hardening Information.** `canput` and `canputnext` operate similar to `put` and `putnext`; that is the *next* functions verify the integrity of the next queue. Not using the next functions can cause panics as the queue being referenced might have already been closed.

---

The preferred naming convention for a put procedure reflects the direction of the message flow. The read put procedure is suffixed by `r` (`rput`), and the write procedure by `w` (`wput`). For example, the read-side put procedure for module `xx` is declared as `int xxrput(queue_t *q, mblk_t *mp)`. The write-side put procedure is declared as `int xxwput(queue_t *q, mblk_t *mp)`, where `q` points to the corresponding read or write queue and `mp` points to the message to be processed.

Although high-priority messages can be placed on the service queue, processing them immediately in the put procedure is better. (See the stub code in [Example 15, “Example of a Module put Procedure,”](#) on page 124.) Place ordinary or priority-band messages on the service queue ([putq\(9F\)](#)) if:

- The stream has been flow controlled; that is, `canput` fails.
- There are already messages on the service queue, that is, `q_first` is not NULL.
- Deferred processing is desired.

If other messages already exist on the queue and the put procedure does not queue new messages (provided they are not high-priority), messages are reordered. If the next module is flow controlled (see [canput\(9F\)](#) and [canputnext\(9F\)](#)), the put procedure can queue the message for processing by the service procedure (see [putq\(9F\)](#)).

**EXAMPLE 15** Example of a Module put Procedure

```
/*example of a module put procedure */
int
xxrput(queue_t *,mblk_t, *mp)
{
    /*
     * If the message is a high-priority message or
     * the next module is not flow controlled and we have not
     * already deferred processing, then:
     */
    */
```

```

if (mp->b_datap->db_type >= QPCTL ||
    (canputnext(q) && q->q_first == NULL)) {
    /*
     * Process message
     */
    .
    .
    .
    putnext(q,mp);
} else {
    /*
     * put message on service queue
     */
    putq(q,mp);
}
return (0);
}

```

Put procedures must never call `putq`, `putbq`, or `qenable` if the module does not have a service procedure.

---

**Note - Hardening Information.** Once a message is passed using a `putq`, `put`, `putnext`, as well as the perimeter function `qwriter`, it cannot be accessed again because the use of this message has been given to the new routine. If a reference needs to be retained by the module, it should copy it by using `copyb`, `copymsg`, `dupb`, or `dupmsg`.

---

A module need not process the message immediately, and can queue it for later processing by the service procedure (see [putq\(9F\)](#)).

The Oracle Solaris STREAMS framework is multithreaded. Unsafe (nonmultithreaded) modules are not supported. To make multithreading of modules easier, the Oracle Solaris STREAMS framework uses perimeters, as described in “[MT STREAMS Perimeters](#)” on page 266.




---

**Caution** - Mutex locks must not be held across a call to [put\(9F\)](#), [putnext\(9F\)](#), or [qreply\(9F\)](#).

---

Because of the asynchronous nature of STREAMS, do not assume that a module's `put` procedure has been called just because [put\(9F\)](#), [putnext\(9F\)](#), or [qreply\(9F\)](#) has returned.

## Queue service Procedure

A queue's service procedure is invoked to process messages on the queue. It removes successive messages from the queue, processes them, and calls the put procedure of the next module in the stream to give the processed message to the next queue.

The service procedure is optional. A module or driver can use a service procedure for the following reasons:

- Streams flow control is implemented by service procedures. If the next component on the stream has been flow controlled, the put procedure can queue the message. (See [“Flow Control in Service Procedures”](#) on page 132 in Chapter 7, [“STREAMS Framework – Kernel Level”](#) for more on flow control.)
- Resource allocation recovery. If a put or service procedure cannot allocate a resource, such as memory, the message is usually queued to process later.
- A device driver can queue a message and get out of interrupt context.
- To combine multiple messages into larger messages.

The service procedure is invoked by the STREAMS scheduler. A STREAMS service procedure is scheduled to run if:

- The queue is not disabled ([noenable\(9F\)](#)) and the message being queued is either the first message on the queue, or a priority band message.
- The message being queued ([putq\(9F\)](#) or [putbq\(9F\)](#)) is a high-priority message,
- The queue has been back-enabled because flow control has been relieved,
- The queue has been explicitly enabled ([qenable\(9F\)](#)).

A service procedure usually processes all messages on its queue ([getq\(9F\)](#)) or takes appropriate action to ensure it is re-enabled ([qenable\(9F\)](#)) at a later time. [Figure 26, “Flow of service Procedure,”](#) on page 127 shows the flow of a service procedure.

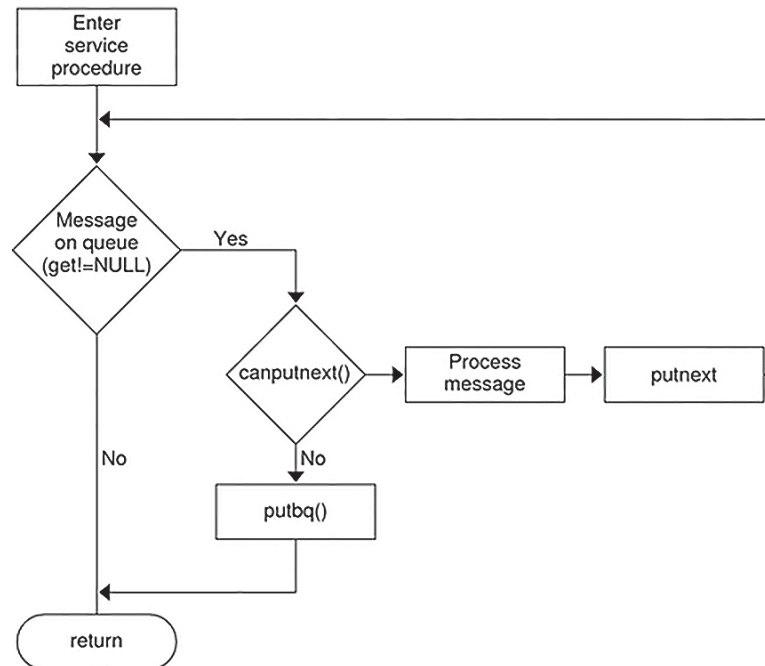


---

**Caution** - High-priority messages (`db_type` and `MSG_HIPRI`) must never be placed back on a service queue ([putbq\(9F\)](#)). Placing these messages in a service queue can cause an infinite loop.

---

Put procedures must never call `putq`, `putbq`, or `qenable` if the module does not have a service procedure.

**FIGURE 26** Flow of service Procedure

The following example shows the stub code for a module service procedure.

**EXAMPLE 16** Module service Procedure

```

/*example of a module service procedure */
int
xxrsrv(queue_t *q)
{
    mblk_t *mp;
    /*
     * While there are still messages on our service queue
     */
    while ((mp = getq(q)) != NULL) {
        /*
         * We check for high priority messages, but
         * none is ever seen since the put procedure
        */
    }
}
  
```

```
    * never queues them.
    * If the next module is not flow controlled, then
    */
    if (mp->b_datap->db_type >= QPCTL || (canputnext (q)) {
/*
    * process message
    */
    .
    .
    .
    putnext (q, mp);
} else {
/*
    * put message back on service queue
    */
    putbq(q,mp);
    break;
}
}
return (0);
}
```

## qband Structure

The queue flow information for each band, other than band 0, is contained in a [qband\(9S\)](#) structure. This structure is not visible to other modules. For accessible information see [strqget\(9F\)](#) and [strqset\(9F\)](#). qband is defined as follows:

```
typedef struct qband {
    struct qband  *qb_next;  /* next band's info */
    size_t  qb_count;        /* number of bytes in band */
    struct msgb  *qb_first;  /* beginning of band's data */
    struct msgb  *qb_last;  /* end of band's data */
    size_t  qb_hiwat;        /* high-water mark for band */
    size_t  qb_lowat;        /* low-water mark for band */
    uint  qb_flag;          /* see below */
} qband_t;
```

The structure contains pointers to the linked list of messages in the queue. These pointers, `qb_first` and `qb_last`, denote the beginning and end of messages for the particular band. The `qb_count` field is analogous to the queue's `q_count` field. However, `qb_count` only applies to the messages in the queue in the band of data flow represented by the corresponding `qband` structure. In contrast, `q_count` only contains information regarding normal and high-priority messages.



Each band has a separate high and low watermark, `qb_hiwat` and `qb_lowat`. These are initially set to the queue's `q_hiwat` and `q_lowat` respectively. Modules and drivers can change these values through the `strqset(9F)` function. The `QB_FULL` flag for `qb_flag` denotes that the particular band is full.

The `qband(9S)` structures are not preallocated per queue. Rather, they are allocated when a message with a priority greater than zero is placed in the queue using `putq(9F)`, `putbq(9F)`, or `insq(9F)`. Since band allocation can fail, these routines return 0 on failure and 1 on success. Once a `qband(9S)` structure is allocated, it remains associated with the queue until the queue is freed. `strqset(9F)` and `strqget(9F)` cause `qband(9S)` allocation. Sending a message to a band causes all bands up to and including that one to be created.

## Using `qband` Information

The STREAMS utility routines should be used when manipulating the fields in the queue and `qband(9S)` structures. `strqget(9F)` and `strqset(9F)` are used to access band information.

Drivers and modules can change the `qb_hiwat` and `qb_lowat` fields of the `qband` structure. Drivers and modules can only read the `qb_count`, `qb_first`, `qb_last`, and `qb_flag` fields of the `qband` structure. Only the fields listed previously can be referenced.

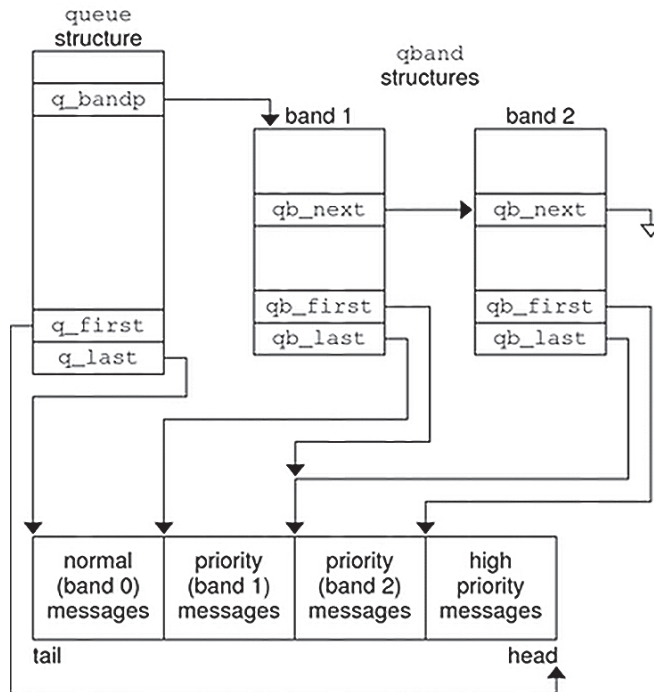


---

**Caution** - There are fields in the `qband` structure that are reserved and are not documented. These fields are subject to undocumented, unnotified change at any time.

---

The following figure shows a queue with two extra bands of flow.

**FIGURE 27** Data Structure Linkage

Several routines are provided to aid you in controlling each priority band of data flow. These routines are:

- [flushband\(9F\)](#)
- [bcanputnext\(9F\)](#)
- [strqget\(9F\)](#)
- [strqset\(9F\)](#)

[flushband\(9F\)](#) is discussed in “Flushing Priority Band” on page 175. [bcanputnext\(9F\)](#) is discussed in “Flow Control in Service Procedures” on page 132, and the other two routines are described in the following section. Appendix B, “Kernel Utility Interface Summary” also has a description of these routines.

## Message Processing Procedures

Typically, put procedures are required in pushable modules, but service procedures are optional. If the put routine queues messages, a corresponding service routine must be present to handle the queued messages. If the put routine does not queue messages, the service routine is not required.

Figure 25, “Flow of put Procedure,” on page 123 shows typical processing flow for a put procedure which works as follows:

- A message is received by the put procedure associated with the queue, where some processing can be performed on the message.
- The put procedure determines if the message can be sent to the next module by the use of `canput(9F)` or `canputnext(9F)`.
- If the next module is flow controlled, the put procedure queues the message using `putq(9F)`.
- `putq(9F)` places the message in the queue based on its priority.
- Then, `putq(9F)` makes the queue ready for execution by the STREAMS scheduler, following all other queues currently scheduled.
- If the next module is not flow controlled, the put procedure does any processing needed on the message and sends it to the next module using `putnext(9F)`. Note that if the module does not have a service procedure it cannot queue the message, and must process and send the message to the next module.

Figure 26, “Flow of service Procedure,” on page 127 shows typical processing flow for a service procedure that works as follows:

- When the system goes from kernel mode to user mode, the STREAMS scheduler calls the service procedure.
- The service procedure gets the first message (`q_first`) from the message queue using the `getq(9F)` utility.
- The put procedure determines if the message can be sent to the next module using `canput(9F)` or `canputnext(9F)`.
- If the next module is flow controlled, the put procedure requeues the message with `putbq(9F)`, and then returns.
- If the next module is not flow controlled, the service procedure processes the message and passes it to the put procedure of the next queue with `putnext(9F)`.
- The service procedure gets the next message and processes it. This processing continues until the queue is empty or flow control blocks further processing. The service procedure returns to the caller.



---

**Caution** - A service or put procedure must never block since it has no user context. It must always return to its caller.

---

If no processing is required in the put procedure, the procedure does not have to be explicitly declared. Rather, `putq(9F)` can be placed in the `qinit(9S)` structure declaration for the appropriate queue side to queue the message for the service procedure. For example:

```
static struct qinit winit = { putq, modwsrv, ..... };
```

More typically, put procedures process high-priority messages to avoid queueing them.

Device drivers associated with hardware are examples of STREAMS devices that might not have a put procedure. Since there are no queues below the hardware level, another module does not call the module's put procedure. Data comes into the stream from an interrupt routine, and is either processed or queued for the service procedure.

A STREAMS filter is an example of a module without a service procedure – messages passed to it are either passed or filtered. Flow control is described in [“Flow Control in Service Procedures” on page 132](#).

The key attribute of a service procedure in the STREAMS architecture is delayed processing. When a service procedure is used in a module, the module developer is implying that there are other, more time-sensitive activities to be performed elsewhere in this stream, in other streams, or in the system in general.

---

**Note** - The presence of a service procedure is mandatory if the flow control mechanism is to be utilised by the queue. If you do not implement flow control, queues can overflow and hang the system.

---

## Flow Control in Service Procedures

The STREAMS flow control mechanism is voluntary and operates between the two nearest queues in a stream containing service procedures (see [Figure 28, “Flow Control Mechanism,” on page 133](#)). Messages are held on a queue only if a service procedure is present in the associated queue.

Messages accumulate on a queue when the queue's service procedure processing does not keep pace with the message arrival rate, or when the procedure is blocked from placing its messages on the following STREAMS component by the flow control mechanism. Pushable modules

can contain independent upstream and downstream limits. The stream head contains a preset upstream limit (which can be modified by a special message sent from downstream) and a driver can contain a downstream limit. See `M_SETOPTS` for more information.

Flow control operates as follows:

- Each time a STREAMS message-handling routine (for example, `putq(9F)`) adds or removes a message from a message queue, the limits are checked. STREAMS calculates the total size of all message blocks (`bp->b_wptr - bp->b_rptr`) on the message queue.

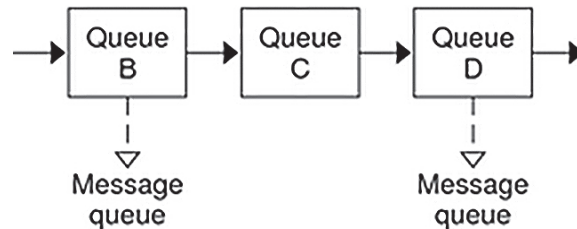
---

**Note** - `bp` is a pointer to the buffer header structure allocated by `bp_mapin()`, `b_wptr` is the first unwritten byte in the buffer, and `b_rptr` is the first unread byte in the buffer. See `msgb(9S)` STREAMS message block structure.

---

- The total is compared to the queue high and low watermark values. If the total exceeds the high watermark value, an internal full indicator is set for the queue. The operation of the service procedure in this queue is not affected if the indicator is set, and the service procedure continues to be scheduled.
- The next part of flow control processing occurs in the nearest preceding queue that contains a service procedure. In the following figure, if D is full and C has no service procedure, then B is the nearest preceding queue.

**FIGURE 28** Flow Control Mechanism



- The service procedure in B uses `canputnext(9F)` to check if a queue ahead is marked full. If messages cannot be sent, the scheduler blocks the service procedure in B from further execution. B remains blocked until the low watermark of the full queue, D, is reached.
- While B is blocked, any messages except high-priority messages arriving at B accumulate on its message queue. High-priority messages are not subject to flow control. Eventually, B can reach a full state and the full condition propagates back to the preceding module in the stream.

- When the service procedure processing on D causes the message block total to fall below the low watermark, the full indicator is turned off. STREAMS then schedules the nearest preceding blocked queue (B in this case). This automatic scheduling is called back-enabling a queue.

Modules and drivers need to observe the message priority. High-priority messages, determined by the type of the first block in the message,

```
mp->b_datap->db_type >= QPCTL
```

are not subject to flow control. They should be processed immediately and forwarded, as appropriate.

For ordinary messages, flow control must be tested before any processing is performed. [canputnext\(9F\)](#) determines if the forward path from the queue is blocked by flow control.

This is the general flow control processing of ordinary messages:

- Retrieve the message at the head of the queue with [getq\(9F\)](#).
- Determine if the message type is high priority and not to be processed here.
- If so, pass the message to the put procedure of the following queue with [putnext\(9F\)](#).
- Use [canputnext\(9F\)](#) to determine if messages can be sent onward.
- If messages cannot be forwarded, put the message back in the queue with [putbq\(9F\)](#) and return from the procedure.



---

**Caution** - High-priority messages must be processed and not placed back on the queue.

---

- Otherwise, process the message.

The canonical representation of this processing within a service procedure is:

```
while (getq() != NULL)
  if (high priority message || no flow control) {
    process message
    putnext()
  } else {
    putbq()
    return
  }
```

Expedited data has its own flow control with the same processing method as that of ordinary messages. [bcanputnext\(9F\)](#) provides modules and drivers with a test of flow control in a priority band. It returns 1 if a message of the given priority can be placed in the queue. It returns 0 if the priority band is flow controlled. If the band does not exist in the queue in question, the routine returns 1.

If the band is flow controlled, the higher bands are not affected. However, lower bands are also stopped from sending messages. Without this, lower priority messages can be passed along ahead of the flow-controlled higher priority messages.

The call `bcanputnext(q, 0)`; is equivalent to the call `canputnext(q)`;

---

**Note** - A service procedure must process all messages in its queue unless flow control prevents this.

---

A service procedure must continue processing messages from its queue until `getq(9F)` returns NULL. When an ordinary message is queued by `putq(9F)`, the service procedure is scheduled only if the queue was previously empty, and a previous `getq(9F)` call returns NULL (that is, the `QWANTR` flag is set). If there are messages in the queue, `putq(9F)` presumes the service procedure is blocked by flow control and the procedure is automatically rescheduled by STREAMS when the block is removed. If the service procedure cannot complete processing as a result of conditions other than flow control (for example, no buffers), it must ensure a later return (for example, by `bufcall(9F)`) or discard all messages in the queue. If this is not done, STREAMS never schedules the service procedure to be run unless the queue's put procedure queues a priority message with `putq(9F)`.

---

**Note** - High-priority messages are discarded only if there is already a high-priority message on the stream head read queue. That is, there can be only one high-priority message (`PC_PROTO`) present on the stream head read queue at any time.

---

`putbq(9F)` replaces a message at the beginning of the appropriate section of the message queue according to its priority. This might not be the same position at which the message was retrieved by the preceding `getq(9F)`. A subsequent `getq(9F)` might return a different message.

`putq(9F)` checks only the priority band in the first message. If a high-priority message is passed to `putq` with a nonzero `b_band` value, `b_band` is reset to 0 before placing the message in the queue. If the message is passed to `putq(9F)` with a `b_band` value that is greater than the number of `qband(9S)` structures associated with the queue, `putq(9F)` tries to allocate a new `qband(9S)` structure for each band, up to and including the band of the message.

`rmvq` and `insq` work similarly. If you try to insert a message out of order in a queue with `insq(9F)`, the message is not inserted and the routine fails.

`putq(9F)` does not schedule a queue if `noenable(9F)` was previously called for the queue. `noenable(9F)` forces `putq(9F)` to queue the message when called by this queue, but not to schedule the service procedure. `noenable(9F)` does not prevent the queue from being scheduled by a flow control back-enable. The inverse of `noenable(9F)` is `enableok(9F)`.

The service procedure is written using the following algorithm:

```
while ((bp = getq(q)) != NULL) {
    if (queclass (bp) == QPCTL) {
        /* Process the message */
        putnext(q, bp);
    } else if (bcanputnext(q, bp->b_band)) {
        /* Process the message */
        putnext(q, bp);
    } else {
        putbq(q, bp);
        return;
    }
}
```

If the module or driver ignores priority bands, the algorithm is the same as described in the previous paragraphs, except that `canputnext(q)` is substituted for `bcanputnex(q, bp->b_band)`.

[qenable\(9F\)](#), another flow-control utility, enables a module or driver to cause one of its queues, or another module's queues, to be scheduled. [qenable\(9F\)](#) can also be used to delay message processing. An example of this is a buffer module that gathers messages in its message queue and forwards them as a single, larger message. This module uses [noenable\(9F\)](#) to inhibit its service procedure and queues messages with its `put` procedure until a certain byte count or "in queue" time has been reached. When either of these conditions is met, the module calls [qenable\(9F\)](#) to cause its service procedure to run.

Another example is a communication line discipline module that implements end-to-end (for example, to a remote system) flow control. Outbound data is held on the write side message queue until the read side receives a transmit window from the remote end of the network.

---

**Note** - STREAMS routines are called at different priority levels. Interrupt routines are called at the interrupt priority of the interrupting device. Service routines are called with interrupts enabled (so that service routines for STREAMS drivers can be interrupted by their own interrupt routines).

---



## STREAMS Kernel-Level Mechanisms

---

This chapter describes the STREAMS kernel-level mechanisms:

- “[ioctl Processing](#)” on page 137
- “[Message Allocation and Freeing](#)” on page 138
- “[Extended STREAMS Buffers](#)” on page 144
- “[General ioctl Processing](#)” on page 147
- “[M\\_FLUSH Message Handling](#)” on page 172
- “[Driver and Module Service Interfaces](#)” on page 178
- “[Common ioctl Interfaces](#)” on page 188
- “[signal Message](#)” on page 189

### ioctl Processing

STREAMS is a special type of character device driver that is different from the historical character input/output (I/O) mechanism in several ways.

In the classical device driver, all [ioctl\(2\)](#) calls are processed by the single device driver, which is responsible for their resolution. The classical device driver has user context, that is, all data can be copied directly to and from user space.

By contrast, the stream head itself can process some [ioctl\(2\)](#) calls (defined in [streamio\(7I\)](#)). Generally, STREAMS [ioctl\(2\)](#) calls operate independently of any particular module or driver on the stream. This means the valid [ioctl\(2\)](#) calls that are processed on a stream change over time, as modules are pushed and popped on the stream. The stream modules have no user context and must rely on the stream head to perform `copyin` and `copyout` requests.

There is no user context in a module or driver when the information associated with the [ioctl\(2\)](#) call is received. This prevents use of [ddi\\_copyin\(9F\)](#) or [ddi\\_copyout\(9F\)](#) by the module. No user context also prevents the module and driver from associating any kernel data

with the currently running process. In any case, by the time the module or driver receives the `ioctl(2)` call, the process generating can have exited.

STREAMS enables user processes to control functions on specific modules and drivers in a stream using `ioctl(2)` calls. In fact, many `streamio(7I) ioctl(2)` commands go no further than the stream head. They are fully processed there and no related messages are sent downstream. For an `I_STR ioctl(2)` or an unrecognized `ioctl(2)` command, the stream head creates an `M_IOCTL` message, which includes the `ioctl(2)` argument. This is then sent downstream to be processed by the pertinent module or driver. STREAMS ensures that there is only one user-driven `M_IOCTL` operating on a stream at a time. The `M_IOCTL` message is the precursor message type carrying `ioctl(2)` information to modules. Other message types are used to complete the `ioctl` processing in the stream. Each module has its own set of `M_IOCTL` messages it must recognize.



---

**Caution - Hardening Information.** Modules and drivers should never assume that user data is correct. Users might be able to pass offsets that exceed the buffers supplied, or data that might be in kernel space. Values should always be checked against the range of data that is requested or supplied. Otherwise, panics or data corruption may occur.

---

## Message Allocation and Freeing

The `allocb(9F)` utility routine allocates a message and the space to hold the data for the message. `allocb(9F)` returns a pointer to a message block containing a data buffer of at least the size requested, providing there is enough memory available. The routine returns `NULL` on failure. `allocb(9F)` always returns a message of type `M_DATA`. The type can then be changed if required. `b_rptr` and `b_wptr` are set to `db_base` (see `msgb(9S)` and `datab(9S)`), which is the start of the memory location for the message buffer.

---

**Note** - STREAMS often provides buffers that are bit aligned, but there is no guarantee that `db_base` or `db_lim` reside on bit-aligned boundaries. If bit or page alignment is required on module-supplied buffers use `esballoc`. For more information about `esballoc` see “[Extended STREAMS Buffers](#)” on page 144.

---

`allocb(9F)` can return a buffer larger than the size requested. If `allocb(9F)` indicates that buffers are not available (`allocb(9F)` fails), the `put` or `service` procedure cannot block to wait for a buffer to become available. Instead, `bufcall(9F)` defers processing in the module or the driver until a buffer becomes available.

If message space allocation is done by the `put` procedure and `allocb(9F)` fails, the message is usually discarded. If the allocation fails in the `service` routine, the message is returned to

the queue. `bufcall(9F)` is called to set a call to the service routine when a message buffer becomes available, and the service routine returns.

`freeb(9F)` releases the message block descriptor and the corresponding data block, if the reference count (see `datab(9S)`) is equal to 1. If the reference count exceeds 1, the data block is not released.

`freemsg(9F)` releases all message blocks in a message. It uses `freeb(9F)` to free all message blocks and corresponding data blocks.

In [Example 17, “Use of `allocb`,” on page 139](#), `allocb(9F)` is used by the `bappend` subroutine that appends a character to a message block.

**EXAMPLE 17** Use of `allocb`

```

/*
 * Append a character to a message block.
 * If (*bpp) is null, it will allocate a new block
 * Returns 0 when the message block is full, 1 otherwise
 */
#define MODBLKSZ 128 /* size of message blocks */

static int bappend(mblk_t **bpp, int ch)
{
    mblk_t *bp;

    if ((bp = *bpp) != NULL) {
        if (bp->b_wptr >= bp->b_datap->db_lim)
            return (0);
    } else {
        if ((*bpp = bp = allocb(MODBLKSZ, BPRI_MED)) == NULL)
            return (1);
    }
    *bp->b_wptr++ = ch;
    return 1;
}

```

`bappend` receives a pointer to a message block and a character as arguments. If a message block is supplied (`*bpp != NULL`), `bappend` checks if there is room for more data in the block. If not, it fails. If there is no message block, a block of at least `MODBLKSZ` is allocated through `allocb(9F)`.

If `allocb(9F)` fails, `bappend` returns success and discards the character. If the original message block is not full or the `allocb(9F)` is successful, `bappend` stores the character in the block.

[Example 18, “Subroutine modwput,” on page 140](#) shows the processing of all the message blocks in any downstream data (type M\_DATA) messages. [freemsg\(9F\)](#) frees messages.

**EXAMPLE 18** Subroutine modwput

```
/* Write side put procedure */
static int modwput(queue_t *q, mblk_t *mp)
{
    switch (mp->b_datap->db_type) {
    default:
        putnext(q, mp); /* Don't do these, pass along */
        break;

    case M_DATA: {
        mblk_t *bp;
        struct mblk_t *nmp = NULL, *nbp = NULL;

        for (bp = mp; bp != NULL; bp = bp->b_cont) {
            while (bp->b_rptr < bp->b_wptr) {
                if (*bp->b_rptr == '\n')
                    if (!bappend(&nbp, '\r'))
                        goto newblk;
                if (!bappend(&nbp, *bp->b_rptr))
                    goto newblk;

                bp->b_rptr++;
                continue;

            newblk:
                if (nmp == NULL)
                    nmp = nbp;
                else { /* link msg blk to tail of nmp */
                    linkb(nmp, nbp);
                    nbp = NULL;
                }
            }
        }
        if (nmp == NULL)
            nmp = nbp;
        else
            linkb(nmp, nbp);
        freemsg(mp); /* de-allocate message */
        if (nmp)
            putnext(q, nmp);
        break;
    }
}
```

---

```

}
```

Data messages are scanned and filtered. `modwput` copies the original message into new blocks, modifying as it copies. `nbp` points to the current new message block. `nmp` points to the new message being formed as multiple `M_DATA` message blocks. The outer `for` loop goes through each message block of the original message. The inner `while` loop goes through each byte. `bappend` is used to add characters to the current or new block. If `bappend` fails, the current new block is full. If `nmp` is `NULL`, `nmp` is pointed at the new block. If `nmp` is not `NULL`, the new block is linked to the end of `nmp` by use of [linkb\(9F\)](#).

At the end of the loops, the final new block is linked to `nmp`. The original message (all message blocks) is returned to the pool by [freemsg\(9F\)](#). If a new message exists, it is sent downstream.

## Recovering From No Buffers

[bufcall\(9F\)](#) can be used to recover from an [allocb\(9F\)](#) failure. The call syntax is as follows:

```
bufcall_id_t bufcall(int size, int pri, void(*func)(), long arg);
```

---

**Note** - [qbufcall\(9F\)](#) and [qunbufcall\(9F\)](#) must be used with perimeters.

---

[bufcall\(9F\)](#) calls `(*func)(arg)` when a buffer of `size` bytes is available. When `func` is called, it has no user context and must return without blocking. Also, there is no guarantee that when `func` is called, a buffer will still be available.

On success, `bufcall` returns a nonzero identifier that can be used as a parameter to [unbufcall\(9F\)](#) to cancel the request later. On failure, 0 is returned and the requested function is never called.




---

**Caution** - Care must be taken to avoid deadlock when holding resources while waiting for `bufcall` to call `(*func)(arg)`. `bufcall` should be used sparingly.

---

## Read Device Interrupt Handler

[Example 19, “Device Interrupt Handler,” on page 142](#) is an example of a read device interrupt handler.

**EXAMPLE 19** Device Interrupt Handler

```
#include <sys/types.h>
#include <sys/param.h>
#include <sys/stream.h>
bufcall_id_t id;      /* hold id val for unbufcall */

dev_rintr(dev)
{
    /* process incoming message ... */
    /* allocate new buffer for device */
    dev_re_load(dev);
}

/*
 * Reload device with a new receive buffer
 */
dev_re_load(dev)
{
    mblk_t *bp;
    id = 0;      /* begin with no waiting for buffers */
    if ((bp = allocb(DEVBLKSZ, BPRI_MED)) == NULL) {
        cmn_err(CE_WARN, "dev:allocbfailure(size%d)\n",
            DEVBLKSZ);
        /*
         * Allocation failed. Use bufcall to
         * schedule a call to ourselves.
         */
        id = bufcall(DEVBLKSZ, BPRI_MED, dev_re_load, dev);
        return;
    }

    /* pass buffer to device ... */
}
```

See [Chapter 12, “Multithreaded STREAMS”](#) for more information on the uses of [unbufcall\(9F\)](#). These references to `unbufcall` are protected by MT locks.

Because [bufcall\(9F\)](#) can fail, there is still a chance that the device will hang. A better strategy if [bufcall\(9F\)](#) fails is to discard the current input message and resubmit that buffer to the device. Losing input data is preferable to the device hanging.

## Write Service Procedure

[Example 20, “Write Service Procedure,” on page 143](#) is an example of a write service procedure.

### EXAMPLE 20 Write Service Procedure

```
static int mod_wsrv(queue_t *q)
{
    extern int qenable();
    mblk_t *mp, *bp;
    while (mp = getq(q)) {
        /* check for priority messages and canput ... */

        /* Allocate a header to prepend to the message.
         * If the allocb fails, use bufcall to reschedule.
         */
        if ((bp = allocb(HDRSZ, BPRI_MED)) == NULL) {
            if (!(id=bufcall(HDRSZ, BPRI_MED, qenable, q))) {
                timeout(qenable, (caddr_t)q,
                    drv_usectohz());
                /*
                 * Put the msg back and exit, we will be
                 * re-enabled later
                 */
                putbq(q, mp);
                return;
            }
            /* process message .... */
        }
    }
}
```

`mod_wsrv` prefixes each output message with a header.

In this example, `mod_wsrv` illustrates a potential deadlock case. If `allocb(9F)` fails, `mod_wsrv` tends to recover without loss of data and calls `bufcall(9F)`. In this case, the routine passed to `bufcall(9F)` is `qenable(9F)`. When a buffer is available, the service procedure is automatically re-enabled. Before exiting, the current message is put back in the queue. [Example 20, “Write Service Procedure,” on page 143](#) deals with `bufcall(9F)` failure by calling `timeout(9F)`.

`timeout(9F)` schedules the given function to be run with the given argument in the given number of clock cycles. In this example, if `bufcall(9F)` fails, the system runs `qenable(9F)` after two seconds have passed.

## Releasing Callback Requests

When `allocb(9F)` fails and `bufcall(9F)` is called, a callback is pending until a buffer is actually returned. Because this callback is asynchronous, it must be released before all processing is complete. To release this queued event, use `unbufcall(9F)`.

Pass the `id` returned by `bufcall(9F)` to `unbufcall(9F)`. Then close the driver in the normal way. If this sequence of `unbufcall(9F)` and `xxclose` is not followed, the callback can occur when the driver is already closed. This is one of the most difficult types of problems to find and debug.



---

**Caution** - All `bufcall(9F)` and timeouts must be canceled in the close routine.

---

## Extended STREAMS Buffers

Some hardware using the STREAMS mechanism supports memory-mapped I/O (see `mmap(2)`) which allows the sharing of buffers between users, the kernel, and the I/O card. Modules and drivers that need bit-aligned or page-aligned buffers should use extended STREAMS buffers by calling `esballoc` (also see `ddi_umem_alloc`).

If the hardware supports memory-mapped I/O, data received from the hardware is placed in the DARAM (dual-access RAM) section of the I/O card. Since DARAM is memory that is shared between the kernel and the I/O card, coordinated data transfer between the kernel and the I/O card is eliminated. Once in kernel space, the data buffer is manipulated as if it were a kernel resident buffer. Similarly, data sent downstream is placed in the DARAM and forwarded to the network.

In a typical network arrangement, data is received from the network by the I/O card. The controller reads the block of data into the card's internal buffer. It interrupts the host computer to notify that data have arrived. The STREAMS driver gives the controller the kernel address where the data block is to go and the number of bytes to transfer. After the controller has read the data into its buffer and verified the checksum, it copies the data into main memory to the address specified by the DMA (direct memory access) memory address. Once in the kernel space, the data is packaged into message blocks and processed in the usual manner.

When data is transmitted from a user process to the network, it is copied from the user space to the kernel space, packaged as a message block, and sent to the downstream driver. The driver interrupts the I/O card, signaling that data is ready to be transmitted to the network. The controller copies the data from the kernel space to the internal buffer on the I/O card, and from there it is placed on the network.



The STREAMS buffer allocation mechanism enables the allocation of message and data blocks to point directly to a client-supplied (non-STREAMS) buffer. Message and data blocks allocated this way are indistinguishable from the normal data blocks. The client-supplied buffers are processed as if they were normal STREAMS data buffers.

Drivers can attach non-STREAMS data buffers and also free them. This is done as follows:

- Allocation - If the drivers use DARAM without using STREAMS resources and without depending on upstream modules or need to use privately allocated buffers, a data and message block can be allocated without an allocated data buffer. Use `esballoc(9F)`. This returns a message block and data block without an associated STREAMS buffer. The buffer used is the one supplied by the caller in the calling sequence.
- Freeing - Each driver using non-STREAMS resources in a STREAMS environment must manage those resources completely, including freeing them. To make this as transparent as possible, a driver-dependent routine is executed if `freeb(9F)` is called to free a message and data block with an attached non-STREAMS buffer.

`freeb(9F)` detects when a buffer is a client supplied, non-STREAMS buffer. If it is, `freeb(9F)` finds the `free_rtn(9S)` structure associated with the buffer. After calling the driver-dependent routine (defined in `free_rtn(9S)`) to free the buffer, `freeb(9F)` frees the message and data block.

The `free` routine should not reference any dynamically allocated data structures that are freed when the driver is closed, as messages can exist in a stream after the driver is closed. For example, when a stream is closed, the driver `close` routine is called and its private data structure can be deallocated. If the driver sends a message created by `esballoc` upstream, that message can still be on the stream head read queue. When the stream head read queue is flushed, the message is freed and a call is made to the driver's `free` routine after the driver has been closed.

The format of the `free_rtn(9S)` structure is as follows:

```
void (*free_func)(); /*driver dependent free routine*/
char *free_arg; /* argument for free_rtn */
```

The structure has two fields: a pointer to a function and a location for any argument passed to the function. Instead of defining a specific number of arguments, `free_arg` is defined as a `char *`. This way, drivers can pass pointers to structures if more than one argument is needed.

The method by which `free_func` is called is implementation-specific. Do not assume that `free_func` is called directly from STREAMS utility routines like `freeb(9F)`. The `free_func` function must not call another module's `put` procedure nor try to acquire a private module lock that can be held by another thread across a call to a STREAMS utility routine that could free a message block. Otherwise, lock recursion and deadlock could occur.

[esballoc\(9F\)](#), provides a common interface for allocating and initializing data blocks. It makes the allocation as transparent to the driver as possible and provides a way to modify the fields of the data block, since modification should only be performed by STREAMS. The driver calls this routine to attach its own data buffer to a newly allocated message and data block. If the routine successfully completes the allocation and assigns the buffer, it returns a pointer to the message block. The driver is responsible for supplying the arguments to [esballoc\(9F\)](#), a pointer to its data buffer, the size of the buffer, the priority of the data block, and a pointer to the `free_rtn` structure. All arguments should be non-NULL. See [Appendix B, “Kernel Utility Interface Summary”](#), for a description of [esballoc\(9F\)](#).

## esballoc(9F) Example

[Example 21, “esballoc Example,” on page 146](#) (which will not compile) shows how extended buffers are managed in the multithreaded environment. The driver maintains a pool of special memory that is allocated by [esballoc\(9F\)](#). The allocator `free` routine uses the queue struct assigned to the driver or other queue private data, so the allocator and the close routine need to coordinate to ensure that no outstanding [esballoc\(9F\)](#) memory blocks remain after the close. The special memory blocks are of type `ebm_t`, the counter is `ebm`, and the mutex `mp` and the condition variable `cvp` are used to implement the coordination.

### EXAMPLE 21 esballoc Example

```
ebm_t *
special_new()
{
    mutex_enter(&mp);
    /*
     * allocate some special memory
     */
    esballoc();
    /*
     * increment counter
     */
    ebm++;
    mutex_exit(&mp);
}

void
special_free()
{
    mutex_enter(&mp);
    /*
```

```

    * de-allocate some special memory
    */
    freeb();

    /*
    * decrement counter
    */
    ebm--;
    if (ebm == 0)
        cv_broadcast(&cvp);
    mutex_exit(&mp);
}

open_close(q, .....
....
{
    /*
    * do some stuff
    */
    /*
    * Time to decommission the special allocator. Are there
    * any outstanding allocations from it?
    */
    mutex_enter(&mp);
    while (ebm > 0)
        cv_wait(&cvp, &mp);

    mutex_exit(&mp);
}

```




---

**Caution** - The close routine must wait for all [esballoc\(9F\)](#) memory to be freed.

---

## General ioctl Processing

---

**Note** - Go to the `ioctl()` section in the [Writing Device Drivers for Oracle Solaris 11.3](#) for information about the 64-bit data structure macros.

---

When the stream head is called to process an [ioctl\(2\)](#) that it does not recognize, it creates an `M_IOCTL` message and sends it down the stream. An `M_IOCTL` message is a single `M_IOCTL` message block followed by zero or more `M_DATA` blocks. The `M_IOCTL` message block has the form of an [iocblk\(9S\)](#) structure. This structure contains the following elements.

```
int          ioc_cmd;                /* ioctl's command */
```

```
cred_t   *ioc_cr;           /* full credentials */
uint     ioc_id;           /* ioctl id */
uint     ioc_count;        /* byte cnt in data field */
int      ioc_error;        /* error code */
int      ioc_rval;         /* return value */
```

For an `I_STR` [ioctl\(2\)](#), `ioc_cmd` contains the command supplied by the user in the `ic_cmd` member of the `strioc_t` structure defined in [streamio\(7I\)](#). For others, `ioc_cmd` contains the value of the `cmd` argument in the call to [ioctl\(2\)](#). The `ioc_cr` field contains the credentials of the user process.

The `ioc_id` field is a unique identifier used by the stream head to identify the `ioctl` and its response messages.

The `ioc_count` field indicates the number of bytes of data associated with this `ioctl` request. If the value is greater than zero, there will be one or more `M_DATA` mblks linked to the `M_IOCTL` mblk's `cont` field. If the value of the `ioc_count` field is zero, there will be no `M_DATA` mblk associated with the `M_IOCTL` mblk. If the value of `ioc_count` is equal to the special value `TRANSPARENT`, then there is one `M_DATA` mblk linked to this mblk and its contents will be the value of the argument passed to `ioctl(2)`. This can be a user address or numeric value. (see [“Transparent ioctl Processing” on page 76](#)).

An `M_IOCTL` message is processed by the first module or driver that recognizes it. If a module does not recognize the command, it should pass it down. If a driver does not recognize the command, it should send a negative acknowledgement or `M_IOCNAK` message upstream. In all circumstances, a module or driver processing an `M_IOCTL` message must acknowledge it.

Modules must always pass unrecognized messages on. Drivers should negatively acknowledge unrecognized [ioctl\(2\)](#) messages and free any other unrecognized message.

If a module or driver finds an error in an `M_IOCTL` message for any reason, it must produce a negative acknowledgement message. To do this, set the message type to `M_IOCNAK` and send the message upstream. No data or return value can be sent. If `ioc_error` is set to 0, the stream head causes the [ioctl\(2\)](#) to fail with `EINVAL`. Optionally, the module can set `ioc_error` to an alternate error number.

`ioc_error` can be set to a nonzero value in both `M_IOCACK` and `M_IOCNAK`. This causes the value to be returned as an error number to the process that sent the [ioctl\(2\)](#).

If a module checks what the [ioctl\(2\)](#) of other modules below it are doing, the module should not just search for a specific `M_IOCTL` on the write side, but also look for `M_IOCACK` or `M_IOCNAK` on the read side. For example, suppose the module's write side sees `TCSETA` (see [termio\(7I\)](#)) and records what is being set. The read-side processing knows that the module is waiting for an answer for the [ioctl\(2\)](#). When the read-side processing sees an ack or nak, it checks for the

same [ioctl\(2\)](#) by checking the command (here TCSETA) and the `ioc_id`. If these match, the module can use the information previously saved.

If you have the module check, for example, the TCSETA/TCGETA group of [ioctl\(2\)](#) calls as they pass up or down a stream, you must never assume that because TCSETA comes down it actually has a data buffer attached to it. The user can form TCSETA as an `I_STR` call and accidentally give a NULL data buffer pointer. Always check `b_cont` to see if it is NULL before using it as an index to the data block that goes with `M_IOCTL` messages.

The TCGETA call, if formed as an `I_STR` call with a data buffer pointer set to a value by the user, always has a data buffer attached to `b_cont` from the main message block. Do not assume that the data block is missing and allocate a new buffer, then assign `b_cont` to point to it, because the original buffer will be lost.

## STREAMS ioctl Issues

>Regular device drivers have user context in the [ioctl\(9E\)](#) call. However, in a STREAMS driver or module, the only guarantee of user context is in the [open\(9E\)](#) and [close\(9E\)](#) routines. Some indication of the calling context where data is used is therefore necessary.

---

**Note** - The notion of data models as well as new macros for handling data structure access are discussed in *Writing Device Drivers for Oracle Solaris 11.3*. A STREAMS driver or module writer should use these flags and macros when dealing with structures that change size between data models.

---

A flag value that represents the data model of the entity invoking the operation has been added to the `ioc_flag` field of the [iocblk\(9S\)](#) structure, the `cq_flag` of the [copyreq\(9S\)](#) structure, and the `cp_flag` of the [copyresp\(9S\)](#) structure.

The data model flag is one of these possibilities:

```
IOC_ILP32
IOC_LP64
```

In addition, `IOC_NATIVE` is conditionally defined to match the data model of the kernel implementation.

By looking at the data model flag field of the relevant [iocblk\(9S\)](#), [copyreq\(9S\)](#), or [copyresp\(9S\)](#) structures, the STREAMS module can determine the best method of handling the data.




---

**Caution** - The layout of the `iocblk`, `copyreq`, and `copyresp` structures is different between the 32-bit and 64-bit kernels. Be cautious of any data structure overloading in the `cp_private`, `cq_private`, or `cq_filler` fields because alignment has changed.

---

## I\_STR ioctl Processing

The transparent and nontransparent methods implement `ioctl(2)` in the STREAMS driver or module itself, rather than in the stream head. `I_STR ioctl(2)` (also referred to as nontransparent `ioctl(2)`) is created when a user requests an `I_STR ioctl(2)` and specifies a pointer to a `striocctl` structure as the argument. For example, assuming that `fd` is an open `lp` STREAMS device and `LP_CRLF` is a valid option, the user could make a request by issuing the struct in the following example:

**EXAMPLE 22** Struct for Nontransparent `ioctl`

```
struct striocctl *str;
short lp_opt = LP_CRLF;

str.ic_cmd = SET_OPTIONS;
str.ic_timeout = -1;
str.ic_dp = (char *)&lp_opt;
str.ic_len = sizeof (lp_opt)

ioctl(fd, I_STR, &str);
```

On receipt of the `I_STR ioctl(2)` request, the stream head creates an `M_IOCTL` message. `ioc_cmd` is set to `SET_OPTIONS`, `ioc_count` is set to the value contained in `ic_len` (in this example `sizeof (short)`). An `M_DATA` mblk is linked to the `M_IOCTL` mblk and the data pointed to by `ic_dp` is copied into it (in this case `LP_CRLF`).

[Example 23, “I\\_STR ioctl\(2\) Driver,” on page 150](#) illustrates processing associated with an `I_STR ioctl(2)`. `lpdoioctl` illustrates driver `M_IOCTL` processing, which also applies to modules. `lpdoioctl` is called by `lp` write-side `put` or `service` procedure to process `M_IOCTL` messages. This example is for a driver.

**EXAMPLE 23** `I_STR ioctl(2)` Driver

```
static void
lpdoioctl (queue_t *q, mblk_t *mp)
{
```

```

struct iocblk *iocp;
struct lp *lp;

lp = (struct lp *)q->q_ptr;

/* 1st block contains iocblk structure */
iocp = (struct iocblk *)mp->b_rptr;

switch (iocp->ioc_cmd) {
case SET_OPTIONS:
/* Count should be exactly one short's worth
 * (for this example) */
if (iocp->ioc_count != sizeof(short))
goto iocnak;
if (mp->b_cont == NULL)
goto lognak; /* not shown in this example */
/* Actual data is in 2nd message block */
iocp->ioc_error = lpsetopt (lp, *(short *)mp->b_cont->b_rptr)

/* ACK the ioctl */
mp->b_datap->db_type = M_IOCACK;
iocp->ioc_count = 0;
qreply(q, mp);
break;
default:
iocnak:
/* NAK the ioctl */
mp->b_datap->db_type = M_IOCNAK;
qreply(q, mp);
}
}

```

This example recognizes only one command, SET\_OPTIONS. The `ioc_count` contains the number of user-supplied data bytes. `ioc_count` must equal the size of a short.

```

switch (iocp->ioc_cmd) {
case SET_OPTIONS:
/* Count should be exactly one short's worth
 * (for this example) */
if (iocp->ioc_count != sizeof(short))
goto iocnak;
if (mp->b_cont == NULL)
goto lognak; /* not shown in this example */

```

Once the command has been verified, `lpsetopt` is called to process the request. `lpsetopt` returns 0 if the request is satisfied, otherwise an error number is returned. If `ioc_error` is nonzero, on receipt of the acknowledgement the stream head returns -1 to the application's [ioctl\(2\)](#) request and sets `errno` to the value of `ioc_error`.

```
        /* Actual data is in 2nd message block */
        iocp->ioc_error = lpsetopt (lp, *(short *)mp->b_cont->b_rptr)
```

The `ioctl(2)` is acknowledged. This includes changing the `M_IOCTL` message type to `M_IOCACK` and setting the `ioc_count` field to zero to indicate that no data is to be returned to the user. Finally, the message is sent upstream using `qreply(9F)`.

If `ioc_count` was left nonzero, the stream head would copy that many bytes from the second through the `n`th message blocks into the user buffer. You must set `ioc_count` if you want to pass any data back to the user.

```
        /* ACK the ioctl */
        mp->b_datap->db_type = M_IOCACK;
        iocp->ioc_count = 0;
        qreply(q, mp);
        break;
```

In the default case for unrecognized commands or malformed requests, a nak is generated. This is done by changing the message type to an `M_IOCNAK` and sending it back upstream.

```
        default:
        iocnak:
        /* NAK the ioctl */
        mp->b_datap->db_type = M_IOCNAK;
        qreply(q, mp);
```

A module does not acknowledge (nak) an unrecognized command, but passes the message on. A module does not acknowledge (nak) a malformed request.

## Transparent ioctl

Transparent `ioctls` are used from within a module to tell the stream head to perform a `copyin` or `copyout` on behalf of the module. The stream head must have knowledge of the data model of the caller in order to process the `copyin` and `copyout` properly. The user should use the `ioctl` macros as described in *Writing Device Drivers for Oracle Solaris 11.3* when coding a STREAMS module that uses Transparent `ioctls`.

## Transparent ioctl Messages

The transparent STREAMS `ioctl(2)` mechanism is needed because user context does not exist in modules and drivers when an `ioctl(2)` is processed. This prevents them from using the kernel `ddi_copyin/ddi_copyout` functions.



Transparent `ioctl(2)` enables you to write an application using conventional `ioctl(2)` semantics instead of the `I_STR ioctl(2)` and an `strioc_t` structure. The difference between transparent and nontransparent `ioctl(2)` processing in a STREAMS driver and module is the way data is transferred from user to kernel space.

The transparent `ioctl(2)` mechanism allows backward compatibility for older programs. This transparency only works for modules and drivers that support transparent `ioctl(2)`. Trying to use transparent `ioctl(2)` on a stream that does not support them makes the driver send an error message upstream, causing the `ioctl` to fail.

The following example illustrates the semantic difference between a nontransparent and transparent `ioctl(2)`. A module that translates arbitrary character is pushed on the stream. The `ioctl(2)` specifies the translation to do (in this case all uppercase vowels are changed to lowercase). A transparent `ioctl(2)` uses `XCASE` instead of `I_STR` to inform the module directly.

Assume that `fd` points to a STREAMS device and that the conversion module has been pushed onto it. The semantics of a nontransparent `I_STR` command to inform the module to change the case of AEIOU are:

```
strioc_t.ic_cmd = XCASE;
strioc_t.ic_timeout = 0;
strioc_t.ic_dp = "AEIOU"
strioc_t.ic_len = strlen(strioc_t.ic_dp);
ioctl(fd, I_STR, &strioc_t);
```

When the stream head receives the `I_STR ioctl(2)` it creates an `M_IOCTL` message with the `ioc_cmd` set to `XCASE` and the data specified by `ic_dp`. AEIOU is copied into the first `mbk` following the `M_IOCTL` `mbk`.

The same `ioctl(2)` specified as a transparent `ioctl(2)` is called as follows:

```
ioctl(fd, XCASE, "AEIOU");
```

The stream head creates an `M_IOCTL` message with the `ioc_cmd` set to `XCASE`, but the data is not copied in. Instead, `ioc_count` is set to `TRANSPARENT` and the address of the user data is placed in the first `mbk` following the `M_IOCTL` `mbk`. The module then requests the stream head to copy in the data ("AEIOU") from user space.

Unlike the nontransparent `ioctl(2)`, which can specify a timeout parameter, transparent `ioctl(2)`s block until processing is complete.




---

**Caution** - Incorrectly written drivers can cause applications using transparent `ioctl(2)` to block indefinitely.

---

Even though this process is simpler in the application, transparent `ioctl` adds considerable complexity to modules and drivers, and additional overhead to the time required to process the request.

The form of the `M_IOCTL` message generated by the stream head for a transparent `ioctl(2)` is a single `M_IOCTL` message block followed by one `M_DATA` block. The form of the `iocblk(9S)` structure in the `M_IOCTL` block is the same as described under general `ioctl(2)` processing. However, `ioc_cmd` is set to the value of the command argument in `ioctl(2)` and `ioc_count` is set to the special value of `TRANSPARENT`. The value `TRANSPARENT` distinguishes when an `I_STR ioctl(2)` can specify a value of `ioc_cmd` that is equivalent to the command argument of a transparent `ioctl(2)`. The `b_cont` block of the message contains the value of the `arg` parameter in the call.



---

**Caution** - If a module processes a specific `ioc_cmd` and does not validate the `ioc_count` field of the `M_IOCTL` message, the module breaks when transparent `ioctl(2)` is performed with the same command.

---

---

**Note** - Write modules and drivers to support both transparent and `I_STR ioctl(2)`.

---

All `M_IOCTL` message types (`M_COPYIN`, `M_COPYOUT`, `M_IOCTLDATA`, `M_IOCACK` and `M_IOCNAK`) have some similar data structures and sizes. You can reuse these structures instead of reallocating them. Note the similarities in the command type, credentials, and `id`.

The `iocblk(9S)` structure is contained in `M_IOCTL`, `M_IOCACK` and `M_IOCNAK` message types. For the transparent case, `M_IOCTL` has one `M_DATA` message linked to it. This message contains a copy of the argument passed to `ioctl(2)`. Transparent processing of `M_IOCACK` and `M_IONAK` does not allow any messages to be linked to them.

The `copyreq(9S)` structure is contained in `M_COPYIN` and `M_COPYOUT` message types. The `M_COPYIN` message type must not have any other message linked to it (that is, `b_cont == NULL`). The `M_COPYOUT` message type must have one or more `M_DATA` messages linked to it. These messages contain the data to be copied into user space.

The `copyresp(9S)` structure is contained in `M_IOCTLDATA` response message types. These messages are generated by the stream head in response to an `M_COPYIN` or `M_COPYOUT` request. If the message is in response to an `M_COPYOUT` request, the message has no messages attached to it (`b_cont` is `NULL`). If the response is to an `M_COPYIN`, then zero or more `M_DATA` message types are attached to the `M_IOCTLDATA` message. These attached messages contain a copy of the user data requested by the `M_COPYIN` message.

The `iocblk(9S)`, `copyreq(9S)`, and `copyresp(9S)` structures contain a field indicating the type of `ioctl(2)` command, a pointer to the user's credentials, and a unique identifier for this `ioctl(2)`. These fields must be preserved.

The structure member `cq_private` is reserved for use by the module. `M_COPYIN` and `M_COPYOUT` request messages contain a `cq_private` field that can be set to contain state information for `ioctl(2)` processing (which identifies what the subsequent `M_IOCTLDATA` response message contains). This state is returned in `cp_private` in the `M_IOCTLDATA` message. This state information determines the next step in processing the message. Keeping the state in the message makes the message self-describing and simplifies the `ioctl(2)` processing.

For each piece of data that the module copies from user space, an `M_COPYIN` message is sent to the stream head. The `M_COPYIN` message specifies the user address (`cq_addr`) and number of bytes (`cq_size`) to copy from user space. The stream head responds to the `M_COPYIN` request with a `M_IOCTLDATA` message. The `b_cont` field of the `M_IOCTLDATA` `mbk` contains the contents pointed to by the `M_COPYIN` request. Likewise, for each piece of data that the module copies to user space, an `M_COPYOUT` message is sent to the stream head. Specify the user address (`cq_addr`) and number of bytes to copy (`cq_size`). The data to be copied is linked to the `M_COPYOUT` message as one or more `M_DATA` messages. The stream head responds to `M_COPYOUT` requests with an `M_IOCTLDATA` message, but `b_cont` is null.

After the module has finished processing the `ioctl` (that is, all `M_COPYIN` and `M_COPYOUT` requests have been processed), the `ioctl(2)` must be acknowledged with an `M_IOCACK` to indicate successful completion of the command or an `M_IOCNAK` to indicate failure.

If an error occurs when attempting to copy data to or from user address space, the stream head will set `cp_rval` in the `M_IOCTLDATA` message to the error number. In the event of such an error, the `M_IOCTLDATA` message should be freed by the module or driver. No acknowledgement of the `ioctl(2)` is sent in this case.

## Transparent `ioctl` Examples

Following are three examples of transparent `ioctl(2)` processing. [Example 24, “M\\_COPYIN: Copy the address Structure,” on page 156](#) and [Example 25, “M\\_COPYIN: Copy the Buffer Address,” on page 158](#) illustrate how to use `M_COPYIN` to copy data from user space. [Example 26, “M\\_COPYOUT Using Transparent `ioctl`,” on page 162](#) illustrates how to use `M_COPYOUT` to copy data to user space. [Example 27, “Bidirectional Data Transfer,” on page 166](#) is a more complex example showing state transitions that combine `M_COPYIN` and `M_COPYOUT`.

In these examples the message blocks are reused to avoid the overhead of allocating, copying, and releasing messages. This is standard practice.

The stream head guarantees that the size of the message block containing an `iocblk(9S)` structure is large enough to also hold the `copyreq(9S)` and `copyresp(9S)` structures.

## M\_COPYIN Example

**Note** - Please see the `copyin` section in *Writing Device Drivers for Oracle Solaris 11.3* for information on the 64-bit data structure macros.

---

Example 24, “M\_COPYIN: Copy the address Structure,” on page 156 illustrates the processing of a transparent `ioctl(2)` request only (nontransparent request processing is not shown). In this example, the contents of a user buffer are to be transferred into the kernel as part of an `ioctl` call of the form:

```
ioctl(fd, SET_ADDR, (caddr_t) &bufadd);
```

where `bufadd` is a *struct address* whose elements are:

```
struct address {
    int    ad_len;; /* buffer length in bytes */
    caddr_t ad_addr; /* buffer address */
};
```

This requires two pairs of messages (request and response) following receipt of the `M_IOCTL` message: the first `copyin(9F)`, shown in Example 24, “M\_COPYIN: Copy the address Structure,” on page 156, copies the structure (`address`), and the second `copyin(9F)`, shown in Example 25, “M\_COPYIN: Copy the Buffer Address,” on page 158, copies the buffer (`address.ad_addr`). Two states are maintained and processed in this example: `GETSTRUCT` is for copying the address structure and `GETADDR` for copying the `ad_addr` of the structure.

The transparent part of the `SET_ADDR M_IOCTL` message processing requires that the `address` structure be copied from user address space. To accomplish this, the `M_IOCTL` message processing issues an `M_COPYIN` request to the stream head.

### EXAMPLE 24 M\_COPYIN: Copy the address Structure

```
struct address { /* same members as in user space */
    int ad_len; /* length in bytes */
    caddr_t ad_addr; /* buffer address */
};

/* state values (overloaded in private field) */
#define GETSTRUCT 0 /* address structure */
#define GETADDR 1 /* byte string from ad_addr */

static void xxioc(queue_t *q, mblk_t *mp);

static int
xxwput(q, mp)
```

```

queue_t *q; /* write queue */
mblk_t *mp;
{
struct iocblk *iocbp;
struct copyreq *cq;

switch (mp->b_datap->db_type) {
.
.
.
case M_IOCTL:
/* Process ioctl commands */
iocbp = (struct iocblk *)mp->b_rptr;
switch (iocbp->ioc_cmd) {
case SET_ADDR;
if (iocbp->ioc_count != TRANSPARENT) {
/* do non-transparent processing here
* (not shown here) */
} else {
/* ioctl command is transparent
* Reuse M_IOCTL block for first M_COPYIN
* request of address structure */
cq = (struct copyreq *)mp->b_rptr;
/* Get user space structure address from linked
* M_DATA block */
cq->cq_addr = *(caddr_t *) mp->b_cont->b_rptr;
cq->cq_size = sizeof(struct address);
/* MUST free linked blks */
freemsg(mp->b_cont);
mp->b_cont = NULL;

/* identify response */
cq->cq_private = (mblk_t *)GETSTRUCT;

/* Finish describing M_COPYIN message */
cq->cq_flag = 0;
mp->b_datap->db_type = M_COPYIN;
mp->b_wptr = mp->b_rptr + sizeof(struct copyreq);
qreply(q, mp);
break;
default: /* M_IOCTL not for us */
/* if module, pass on */
/* if driver, nak ioctl */
break;
} /* switch (iocbp->ioc_cmd) */
break;
case M_IOCADATA:
/* all M_IOCADATA processing done here */

```

```
    xxioc(q, mp);
    break;
}
return (0);
}
```

`xxwput()` verifies that the `SET_ADDR` is `TRANSPARENT` to avoid confusion with an `I_STR ioctl(2)`, which uses a value of `ioc_cmd` equivalent to the command argument of a transparent `ioctl(2)`.

The `if else` statement checks whether the size count is equal to `TRANSPARENT`. If it is equal, the message was not generated from an `I_STR ioctl(2)` and the `else` clause of the `if else` executes.

```
if (iocbp->ioc_count != TRANSPARENT) {
    /* do non-transparent processing here (not shown here) */
} else {
```

The `mblock` is reused and mapped into a `copyreq(9S)` structure. The user space address of `bufadd` is contained in the `b_cont` of the `M_IOCTL mblock`. This address and its size are copied into the `copyreq(9S)` message. The `b_cont` of the copy request `mblock` is not needed, so it is freed and then filled with `NULL`.

```
cqp = (struct copyreq *)mp->b_rptr;
/* Get user space structure address from linked M_DATA block */
cqp->cq_addr = *(caddr_t *) mp->b_cont->b_rptr;
cqp->cq_size = sizeof(struct address);
/* MUST free linked blks */
freemsg(mp->b_cont);
mp->b_cont = NULL;
```



---

**Caution** - The layout of the `iocblk`, `copyreq`, and `copyresp` structures is different between 32-bit and 64-bit kernels. Be careful not to overload any data structure in the `cp_private` or the `cq_filler` fields because alignment has changed.

---

**EXAMPLE 25** `M_COPYIN`: Copy the Buffer Address

```
xxioc(queue_t *q, mblk_t *mp) /* M_IOCTLDATA processing */
{
    struct iocblk *iocbp;
    struct copyreq *cqp;
    struct copyresp *csp;
    struct address *ap;

    csp = (struct copyresp *)mp->b_rptr;
    iocbp = (struct iocblk *)mp->b_rptr;
```

```

/* validate this M_IOCTLDATA is for this module */
switch (csp->cp_cmd) {
case SET_ADDR:
    if (csp->cp_rval){ /* GETSTRUCT or GETADDR fail */
        freemsg(mp);
        return;
    }
    switch ((int)csp->cp_private){ /* determine state */
    case GETSTRUCT: /* user structure has arrived */
        /* reuse M_IOCTLDATA block */
        mp->b_datap->db_type = M_COPYIN;
        mp->b_wptr = mp->b_rptr + sizeof (struct copyreq);
        cq = (struct copyreq *)mp->b_rptr;
        /* user structure */
        ap = (struct address *)mp->b_cont->b_rptr;
        /* buffer length */
        cq->cq_size = ap->ad_len;
        /* user space buffer address */
        cq->cq_addr = ap->ad_addr;
        freemsg(mp->b_cont);
        mp->b_cont = NULL;
        cq->cq_flag = 0;
        csp->cp_private=(mblk_t *)GETADDR; /*nxt st*/
        qreply(q, mp);
        break;

    case GETADDR: /* user address is here */
        /* hypothetical routine */
        if (xx_set_addr(mp->b_cont) == FAILURE) {
            mp->b_datap->db_type = M_IOCNAK;
            iocbp->ioc_error = EIO;
        } else {
            mp->b_datap->db_type=M_IOCACK; /*success*/
            /* can have been overwritten */
            iocbp->ioc_error = 0;
            iocbp->ioc_count = 0;
            iocbp->ioc_rval = 0;
        }
        mp->b_wptr=mp->b_rptr + sizeof (struct ioclk);
        freemsg(mp->b_cont);
        mp->b_cont = NULL;
        qreply(q, mp);
        break;

    default: /* invalid state: can't happen */
        freemsg(mp->b_cont);
        mp->b_cont = NULL;
        mp->b_datap->db_type = M_IOCNAK;

```

```
    mp->b_wptr = mp->rptr + sizeof(struct iocblk);
    /* can have been overwritten */
    iocbp->ioc_error = EINVAL;
    qreply(q, mp);
    break;
}
break;    /* switch (cp_private) */

default: /* M_IOCTLDATA not for us */
    /* if module, pass message on */
    /* if driver, free message */
    break;
```

`cp_private` of the copy request is returned in `cp_private` of the copy response when the `M_IOCTLDATA` message is returned. This value is set to `GETSTRUCT` to indicate that the address structure is contained in the `b_cont` of the `M_IOCTLDATA` message `mblock`. The copy request message is then sent back to the stream head. `xxwput` then returns and is called again when the stream head responds with an `M_IOCTLDATA` message, which is processed by the `xxioc` routine.

On receipt of the `M_IOCTLDATA` message for the `SET_ADDR` command, `xxioc()` checks `cp_rval`. If an error occurred during the copyin operation, `cp_rval` is set. The `mblock` is freed and, if necessary, `xxioc()` cleans up from previous `M_IOCTL` requests, freeing memory, resetting state variables, and so on. The stream head returns the appropriate error to the user.

```
if (csp->cp_rval){ /* GETSTRUCT or GETADDR fail */
    freemsg(mp);
    return;
```

If no error occurred during the copyin operation, the switch statement determines whether to process the user structure, `GETSTRUCT`, or user address, `GETADDR`.

```
switch ((int)csp->cp_private){ /*determine state*/
```

The `cp_private` field set to `GETSTRUCT` indicates that the linked `b_cont` `mblock` contains a copy of the user's address structure. The example then copies the actual address specified in `address.ad_addr`. The program issues another `M_COPYIN` request to the stream head, but this time `cp_private` contains `GETADDR` to indicate that the `M_IOCTLDATA` response will contain a copy of `address.ad_addr`. The stream head, copies the information at the requested user address, and sends it downstream in another, final `M_IOCTLDATA` message.

```
case GETSTRUCT: /* user structure has arrived */
    /* reuse M_IOCTLDATA block */
    mp->b_datap->db_type = M_COPYIN;
    mp->b_wptr = mp->b_rptr + sizeof (struct copyreq);
    cqp = (struct copyreq *)mp->b_rptr;
    /* user structure */
    ap = (struct address *)mp->b_cont->b_rptr;
```



```

/* buffer length */
cqp->cq_size = ap->ad_len;
/* user space buffer address */
cqp->cq_addr = ap->ad_addr;
freemsg(mp->b_cont);
mp->b_cont = NULL;
cqp->cq_flag = 0;
cqp->cp_private=(mblk_t *)GETADDR; /*nxt st*/
qreply(q, mp);
break;

```

The final `M_IOCTLDATA` message arrives from the stream head. `cp_private` contains `GETADDR`. The `ad_addr` data is contained in the `b_cont` link of the `mblk`. If the address is successfully processed by `xx_set_addr()` (not shown here), the message is acknowledged with an `M_IOCTLACK` message. If `xx_set_addr()` fails, the message is rejected with an `M_IOCTLNAK` message, `xx_set_addr()` processes the user address from the [ioctl\(2\)](#).

After the final `M_IOCTLDATA` message is processed, the module acknowledges the [ioctl\(2\)](#) to let the stream head know that processing is complete. This is done by sending an `M_IOCTLACK` message upstream if the request was successfully processed. Always set `ioc_error` to zero, otherwise an error code could be passed to the user application. Set `ioc_rval` and `ioc_count` to zero to reflect that a return value of 0 and no data is to be passed upstream. If the request cannot be processed, either an `M_IOCTLNAK` or `M_IOCTLACK` can be sent upstream with an appropriate error number. When sending an `M_IOCTLNAK` or `M_IOCTLACK`, freeing the linked `M_DATA` block is not mandatory. It is more efficient to use the stream head handle to free the linked `M_DATA` block.

If `ioc_error` is set in an `M_IOCTLNAK` or `M_IOCTLACK` message, this error code will be returned to the user. If no error code is set in an `M_IOCTLNAK` message, `EINVAL` will be returned to the user.

```

        case GETADDR: /* user address is here */
/* hypothetical routine */
if (xx_set_addr(mp->b_cont) == FAILURE) {
    mp->b_datap->db_type = M_IOCTLNAK;
    iocbp->ioc_error = EIO;
} else {
    mp->b_datap->db_type=M_IOCTLACK; /*success*/
/* can have been overwritten */
    iocbp->ioc_error = 0;
    iocbp->ioc_count = 0;
    iocbp->ioc_rval = 0;
}
mp->b_wptr=mp->b_rptr + sizeof (struct ioclk);
freemsg(mp->b_cont);
mp->b_cont = NULL;
qreply(q, mp);
break;

```

## M\_COPYOUT Example

---

**Note** - Please see the copyout section in *Writing Device Drivers for Oracle Solaris 11.3* for information on the 64-bit data structure macros.

---

The following code excerpts return option values for the STREAMS device by placing them in the user's options structure. This is done by a transparent `ioctl(2)` call of the form:

```
struct options optadd;

ioctl(fd, GET_OPTIONS, (caddr_t) &optadd)
```

or by a nontransparent `I_STR` call:

```
struct strioctl opts_striocctl;
structure options optadd;

opts_striocctl.ic_cmd = GET_OPTIONS;
opts_striocctl.ic_timeout = -1
opts_striocctl.ic_len = sizeof (struct options);
opts_striocctl.ic_dp = (char *)&optadd;
ioctl(fd, I_STR, (caddr_t) &opts_striocctl)
```

In the nontransparent `I_STR` case, `opts_striocctl.ic_dp` points to the options structure `optadd`.

[Example 23, “I\\_STR ioctl\(2\) Driver,” on page 150](#) illustrates support of both the `I_STR` and transparent forms of `ioctl(2)`. The transparent form requires a single `M_COPYOUT` message following receipt of the `M_IOCTL` to copy out the contents of the structure. `xxwput()` is the write-side put procedure of module or driver `xx`.

### EXAMPLE 26 M\_COPYOUT Using Transparent ioctl

```
struct options { /* same members as in user space */
    int   op_one;
    int   op_two;
    short op_three;
    long  op_four;
};

static int
xxwput (queue_t *q, mblk_t *mp)
{
    struct iocblk *iocbp;
    struct copyreq *cq;
}
```

```

struct copyresp *csp;
int transparent = 0;

switch (mp->b_datap->db_type) {
.
.
.
case M_IOCTL:
iocbp = (struct iocblk *)mp->b_rptr;
switch (iocbp->ioc_cmd) {
case GET_OPTIONS:
if (iocbp->ioc_count == TRANSPARENT) {
transparent = 1;
cqp = (struct copyreq *)mp->b_rptr;
cqp->cq_size = sizeof(struct options);
/* Get struct address from
linked M_DATA block */
cqp->cq_addr = (caddr_t)
*(caddr_t *)mp->b_cont->b_rptr;
cqp->cq_flag = 0;
/* No state necessary - we will only ever
* get one M_IOCTLDATA from the Stream head
* indicating success or failure for
* the copyout */
}
if (mp->b_cont)
freemsg(mp->b_cont);
if ((mp->b_cont =
allocb(sizeof(struct options),
BPRI_MED)) == NULL) {
mp->b_datap->db_type = M_IOCNAK;
iocbp->ioc_error = EAGAIN;
qreply(q, mp);
break;
}
/* hypothetical routine */
xx_get_options(mp->b_cont);
if (transparent) {
mp->b_datap->db_type = M_COPYOUT;
mp->b_wptr = mp->b_rptr + sizeof(struct copyreq);
} else {
mp->b_datap->db_type = M_IOCACK;
iocbp->ioc_count = sizeof(struct options);
}
qreply(q, mp);
break;

default: /* M_IOCTL not for us */

```

```
        /*if module, pass on;if driver, nak ioctl*/
        break;
    } /* switch (iocbp->ioc_cmd) */
    break;

case M_IOCTLDATA:
    csp = (struct copyresp *)mp->b_rptr;
    /* M_IOCTLDATA not for us */
    if (csp->cmd != GET_OPTIONS) {
        /*if module/pass on, if driver/free message*/
        break;
    }
    if ( csp->cp_rval ) {
        freemsg(mp); /* failure */
        return (0);
    }
    /* Data successfully copied out, ack */

    /* reuse M_IOCTLDATA for ack */
    mp->b_datap->db_type = M_IOCTLACK;
    mp->b_wptr = mp->b_rptr + sizeof(struct iocblk);
    /* can have been overwritten */
    iocbp->ioc_error = 0;
    iocbp->ioc_count = 0;
    iocbp->ioc_rval = 0;
    qreply(q, mp);
    break;
    .
    .
    .
} /* switch (mp->b_datap->db_type) */
return (0);
```

`xxwput()` first checks whether the `ioctl(2)` command is transparent. If it is, the message is reused as an `M_COPYOUT` copy request message. The pointer to the receiving buffer is in the linked message and is copied into `cq_addr`. Because only a single copy out is being done, no state information needs to be stored in `cq_private`. The original linked message is freed, in case it isn't big enough to hold the request.

```
if (iocbp->ioc_count == TRANSPARENT) {
    transparent = 1;
    cqp = (struct copyreq *)mp->b_rptr;
    cqp->cq_size = sizeof(struct options);
    /* Get struct address from linked M_DATA block */
    cqp->cq_addr = (caddr_t)
        *(caddr_t *)mp->b_cont->b_rptr;
    cqp->cq_flag = 0;
    /* No state necessary - we will only ever get one
```

```

    * M_IOCTLDATA from the Stream head indicating
    * success or failure for the copyout */
}
if (mp->b_cont)
    freemsg(mp->b_cont);

```

As an optimization, the following code checks the size of the message for reuse:

```

mp->b_cont->b_datap->db_lim
- mp->b_cont->b_datap->db_base >= sizeof (struct options)

```

---

**Note - Hardening Information.** After message reuse, make sure to retain the relation:

```

db_base <= b_rptr <= b_wptr <= db_lim

```

---

A new linked message is allocated to hold the option request. When using the transparent `ioctl(2)` `M_COPYOUT` command, data contained in the linked message is passed to the stream head. The stream head will copy the data to the user's address space and issue an `M_IOCTLDATA` in response to the `M_COPYOUT` message, which the module must acknowledge in an `M_IOCACK` message.

```

    /* hypothetical routine */
    xx_get_options(mp->b_cont);
    if (transparent) {
        mp->b_datap->db_type = M_COPYOUT;
        mp->b_wptr = mp->b_rptr + sizeof(struct copyreq);
    } else {
        mp->b_datap->db_type = M_IOCACK;
        iocbp->ioc_count = sizeof(struct options);
    }

```

If the message is not transparent (is issued through an `I_STR ioctl(2)`), the data is sent with the `M_IOCACK` acknowledgement message and copied into the buffer specified by the `striocbl` data structure. `ioc_error`, `ioc_count`, and `ioc_rval` are cleared to prevent any stale data from being passed back to the stream head.

```

    /* reuse M_IOCTLDATA for ack */
    mp->b_datap->db_type = M_IOCACK;
    mp->b_wptr = mp->b_rptr + sizeof(struct iocblk);
    /* can have been overwritten */
    iocbp->ioc_error = 0;
    iocbp->ioc_count = 0;
    iocbp->ioc_rval = 0;
    qreply(q, mp);
    break;

```

## Bidirectional Data Transfer Example

[Example 27, “Bidirectional Data Transfer,”](#) on page 166 illustrates bidirectional data transfer between the kernel and application during transparent `ioctl(2)` processing. It also shows how to use more complex state information.

The user wants to send and receive data from user buffers as part of a transparent `ioctl(2)` call of the form:

```
ioctl(fd, XX_IOCTL, (caddr_t) &addr_xxdata)
```

### EXAMPLE 27 Bidirectional Data Transfer

```
struct xxdata {          /* same members in user space */
    int      x_inlen;    /* number of bytes copied in */
    caddr_t  x_inaddr;   /* buf addr of data copied in */
    int      x_outlen;   /* number of bytes copied out */
    caddr_t  x_outaddr;  /* buf addr of data copied out */
};
/* State information for ioctl processing */
struct state {
    int      st_state;   /* see below */
    struct xxdata st_data; /* see above */
};
/* state values */

#define GETSTRUC      0 /* get xxdata structure */
#define GETINDATA    1 /* get data from x_inaddr */
#define PUTOUTDATA   2 /* get response from M_COPYOUT */

static void xxioc(queue_t *q, mblk_t *mp);

static int
xxwput (queue_t *q, mblk_t *mp) {
    struct iocblk *iocbp;
    struct copyreq *cq;
    struct state *stp;
    mblk_t *tmp;

    switch (mp->b_datap->db_type) {
        .
        .
        .
        case M_IOCTL:
            iocbp = (struct iocblk *)mp->b_rptr;
            switch (iocbp->ioc_cmd) {
```

```

case XX_IOCTL:
/* do non-transparent processing. (See I_STR ioctl
 * processing discussed in previous section.)
 */
/*Reuse M_IOCTL block for M_COPYIN request*/

cqp = (struct copyreq *)mp->b_rptr;

/* Get structure's user address from
 * linked M_DATA block */

cqp->cq_addr = (caddr_t)
*(long *)mp->b_cont->b_rptr;
freemsg(mp->b_cont);
mp->b_cont = NULL;

/* Allocate state buffer */

if ((tmp = allocb(sizeof(struct state),
BPRI_MED)) == NULL) {
    mp->b_datap->db_type = M_IOCNAK;
    iocbp->ioc_error = EAGAIN;
    qreply(q, mp);
    break;
}
tmp->b_wptr += sizeof(struct state);
stp = (struct state *)tmp->b_rptr;
stp->st_state = GETSTRUCT;
cqp->cq_private = tmp;

/* Finish describing M_COPYIN message */

cqp->cq_size = sizeof(struct xxdata);
cqp->cq_flag = 0;
mp->b_datap->db_type = M_COPYIN;
mp->b_wptr=mp->b_rptr+sizeof(struct copyreq);
qreply(q, mp);
break;

default: /* M_IOCTL not for us */
/* if module, pass on */
/* if driver, nak ioctl */
break;

} /* switch (iocbp->ioc_cmd) */
break;

case M_IOCTLDATA:

```

```
    xxioc(q, mp); /*all M_IOCTLDATA processing here*/
    break;
    .
    .
    .
} /* switch (mp->b_datap->db_type) */
}
```

Three pairs of messages are required following the M\_IOCTL message:

1. case GETSTRUCT copies the structure into the message buffer.
2. case GETINDATA copies the user buffer into the message buffer.
3. case PUTOUTDATA copies the second message buffer into the user buffer.

xxwput() is the write-side put procedure for module or driver xx. xxwput allocates a message block to contain the state structure and reuses the M\_IOCTL to create an M\_COPYIN message to read in the xxdata structure.

M\_IOCTLDATA processing is done in xxioc() as shown in the following example:

**EXAMPLE 28** M\_IOCTLDATA Processing

```
xxioc( /* M_IOCTLDATA processing */
    queue_t *q,
    mblk_t *mp)
{
    struct iocblk *iocbp;
    struct copyreq *cqp;
    struct copyresp *csp;
    struct state *stp;
    mblk_t *xx_indata();

    csp = (struct copyresp *)mp->b_rptr;
    iocbp = (struct iocblk *)mp->b_rptr;
    switch (csp->cp_cmd) {

    case XX_IOCTL:
        if (csp->cp_rval) { /* failure */
            if (csp->cp_private) /* state structure */
                freemsg(csp->cp_private);
            freemsg(mp);
            return;
        }
        stp = (struct state *)csp->cp_private->b_rptr;
        switch (stp->st_state) {

        case GETSTRUCT: /* xxdata structure copied in */
```



```

        /* save structure */

        stp->st_data =
            *(struct xxdata *)mp->b_cont->b_rptr;
        freemsg(mp->b_cont);
        mp->b_cont = NULL;
        /* Reuse M_IOCTLDATA to copyin data */
        mp->b_datap->db_type = M_COPYIN;
        cq = (struct copyreq *)mp->b_rptr;
        cq->cq_size = stp->st_data.x_inlen;
        cq->cq_addr = stp->st_data.x_inaddr;
        cq->cq_flag = 0;
        stp->st_state = GETINDATA; /* next state */
        qreply(q, mp);
        break;

case GETINDATA: /* data successfully copied in */
    /* Process input, return output */
    if ((mp->b_cont = xx_indata(mp->b_cont))
        == NULL) { /* hypothetical */
        /* fail xx_indata */
        mp->b_datap->db_type = M_IOCNAK;
        mp->b_wptr = mp->b_rptr +
            sizeof(struct iocblk);
        iocbp->ioc_error = EIO;
        qreply(q, mp);
        break;
    }
    mp->b_datap->db_type = M_COPYOUT;
    cq = (struct copyreq *)mp->b_rptr;
    cq->cq_size = min(msgdsize(mp->b_cont),
        stp->st_data.x_outlen);
    cq->cq_addr = stp->st_data.x_outaddr;
    cq->cq_flag = 0;
    stp->st_state = PUTOUTDATA; /* next state */
    qreply(q, mp);
    break;

case PUTOUTDATA: /* data copied out, ack ioctl */
    freemsg(csp->cp_private); /*state structure*/
    mp->b_datap->db_type = M_IOCACK;
    mp->b_wptr = mp->b_rptr + sizeof (struct iocblk);
        /* can have been overwritten */
    iocbp->ioc_error = 0;
    iocbp->ioc_count = 0;
    iocbp->ioc_rval = 0;
    qreply(q, mp);
    break;

```

```
default: /* invalid state: can't happen */
    freemsg(mp->b_cont);
    mp->b_cont = NULL;
    mp->b_datap->db_type = M_IOCNAK;
    mp->b_wptr=mp->b_rptr + sizeof (struct iocblk);
    iocbp->ioc_error = EINVAL;
    qreply(q, mp);
    break;
} /* switch (stp->st_state) */
break;
default: /* M_IOCTLDATA not for us */
    /* if module, pass message on */
    /* if driver, free message */
    break;
} /* switch (csp->cp_cmd) */
}
```

At case `GETSTRUCT`, the user `xxdata` structure is copied into the module's state structure (pointed to by `cp_private` in the message) and the `M_IOCTLDATA` message is reused to create a second `M_COPYIN` message to read the user data.

At case `GETINDATA`, the input user data is processed by `xx_indata` (not supplied in the example), which frees the linked `M_DATA` block and returns the output data message block. The `M_IOCTLDATA` message is reused to create an `M_COPYOUT` message to write the user data.

At case `PUTOUTDATA`, the message block containing the state structure is freed and an acknowledgement is sent upstream.

Care must be taken at the "can't happen" default case since the message block containing the state structure (`cp_private`) is not returned to the pool because it might not be valid. This might result in a lost block. The `ASSERT` helps find errors in the module if a "can't happen" condition occurs.

## I\_LIST ioctl(2) Example

The `I_LIST ioctl(2)` lists the drivers and module in a stream.

**EXAMPLE 29** List a Stream's Drivers and Modules

```
#include <stdio.h>
#include <string.h>
#include <stropts.h>
#include <sys/types.h>
```

```
#include <sys/socket.h>
#include <sys/types.h>
#include <sys/socket.h>

main(int argc, const char **argv)
{
    int          s, i;
    int          mods;
    struct str_list mod_list;
    struct str_mlist *mlist;

    /* Get a socket... */
    if((s = socket(AF_INET, SOCK_STREAM, 0)) <= 0) {
        perror("socket: ");
        exit(1);
    }

    /* Determine the number of modules in the stream. */
    if((mods = ioctl(s, I_LIST, 0)) < 0){
        perror("I_LIST ioctl");
    }
    if(mods == 0) {
        printf("No modules\n");
        exit(1);
    } else {
        printf("%d modules\n", mods);
    }
    /* Allocate memory for all of the module names... */
    mlist = (struct str_mlist *) calloc(mods, sizeof(struct str_mlist));
    if(mlist == 0){
        perror("malloc failure");
        exit(1);
    }
    mod_list.sl_modlist = mlist;
    mod_list.sl_nmods = mods;

    /* Do the ioctl and get the module names. */
    if(ioctl(s, I_LIST, &mod_list) < 0){
        perror("I_LIST ioctl fetch");
        exit(1);
    }

    /* Print out the name of the modules */
    for(i = 0; i < mods; i++) {
        printf("s: %s\n", mod_list.sl_modlist[i].l_name);
    }

    free(mlist);
}
```

```
    exit(0);  
}
```

## M\_FLUSH Message Handling

All modules and drivers are expected to handle M\_FLUSH messages. An M\_FLUSH message can originate at the stream head or from a module or a driver. The user can cause data to be flushed from queued messages of a stream by submitting an I\_FLUSH [ioctl\(2\)](#). Data can be flushed from the read side, write side, or both sides of a stream.

```
ioctl(fd, I_FLUSH, arg);
```

The first byte of the M\_FLUSH message is an option flag. The following table describes the possible values for this flag.

**TABLE 13** M\_FLUSH Arguments and bi\_flag Values

Flag	Description
FLUSHR	Flush read side of stream
FLUSHW	Flush write queue
FLUSHRW	Flush both, read and write, queues
FLUSHBAND	Flush a specified priority band only

## Flushing According to Priority Bands

In addition to being able to flush all the data from a queue, a specific band can be flushed using the I\_FLUSHBAND [ioctl\(2\)](#).

```
ioctl(fd, I_FLUSHBAND, bandp);
```

The [ioctl\(2\)](#) is passed a pointer to a `bandinfo` structure. The `bi_pri` field indicates the band priority to be flushed (from 0 to 255). The `bi_flag` field indicates the type of flushing to be done. The legal values for `bi_flag` are defined in [Table 13, “M\\_FLUSH Arguments and bi\\_flag Values,” on page 172](#). `bandinfo` has the following format:

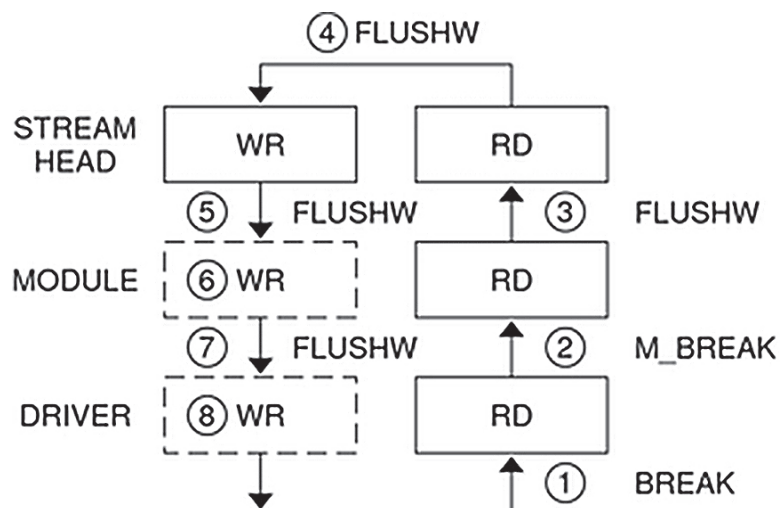
```
struct bandinfo {  
    unsigned char    bi_pri;  
    in               bi_flag;
```

```
};
```

See “M\_FLUSH Message” on page 338 for details on how modules and drivers should handle flush band requests.

Figure 29, “Flushing the Write Side of a Stream,” on page 173 and Figure 30, “Flushing the Read Side of a Stream,” on page 174 further demonstrate flushing the entire stream due to a line break. Figure 29, “Flushing the Write Side of a Stream,” on page 173 shows the flushing of the write side of a stream, and Figure 30, “Flushing the Read Side of a Stream,” on page 174 shows the flushing of the read side of a stream.

**FIGURE 29** Flushing the Write Side of a Stream



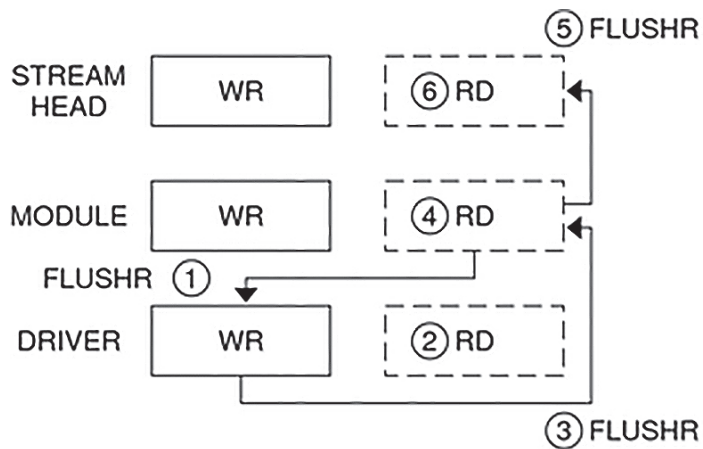
The following discussion describes the sequence of events shown in Figure 29, “Flushing the Write Side of a Stream,” on page 173 (dotted lines mean flushed queues):

1. A break is detected by a driver.
2. The driver generates an M\_BREAK message and sends it upstream.
3. The module translates the M\_BREAK into an M\_FLUSH message with FLUSHW set, then sends it upstream.
4. The stream head does *not* flush the write queue (no messages are ever queued there).
5. The stream head turns the message around (sends it down the write side).
6. The module flushes its write queue.

7. The message is passed downstream.
8. The driver flushes its write queue and frees the message.

Figure 30, “Flushing the Read Side of a Stream,” on page 174 shows flushing the read side of a stream.

**FIGURE 30** Flushing the Read Side of a Stream



The following discussion describes the sequence of events.

1. After generating the first M\_FLUSH message, the module generates an M\_FLUSH with FLUSHR set and sends it downstream.
2. The driver flushes its read queue.
3. The driver turns the message around (sends it up the read side).
4. The module flushes its read queue.
5. The message is passed upstream.
6. The stream head flushes the read queue and frees the message.

The following code shows line discipline module for flush handling.

**EXAMPLE 30** Line Discipline Module for Flush Handling

```
static int
```

```

ld_put(
    queue_t *q,      /* pointer to read/write queue */
    mblk_t *mp)     /* pointer to message being passed */
{
    switch (mp->b_datap->db_type) {
    default:
        putq(q, mp); /* queue everything */
        return (0);  /* except flush */

    case M_FLUSH:
        if (*mp->b_rptr & FLUSHW) /* flush write q */
            flushq(WR(q), FLUSHDATA);

        if (*mp->b_rptr & FLUSHR) /* flush read q */
            flushq(RD(q), FLUSHDATA);

        putnext(q, mp); /* pass it on */
        return(0);
    }
}

```

The above example uses FLUSHDATA as the argument to flushq. This code will flush data type messages (M\_DATA, M\_DELAY, M\_PROTO and M\_PCPROTO) only. Flushing non-data messages, such as M\_IOCTL, M\_IOCACK, and M\_IOCNAK, might flush messages that contain critical state in the stream. If an M\_IOCACK message is flushed, a thread waiting at the stream head for a non-data message response will never receive it. Care should be taken when using flushq.

The stream head turns around the M\_FLUSH message if FLUSHW is set (FLUSHR is cleared). A driver turns around M\_FLUSH if FLUSHR is set (should mask off FLUSHW).

## Flushing Priority Band

The bi\_flag field is one of FLUSHR, FLUSHW, or FLUSHRW.

The following example shows flushing according to the priority band.

### EXAMPLE 31 Priority Band Data Flush Handling

```

queue_t *rdq;      /* read queue */
queue_t *wrq;      /* write queue */

case M_FLUSH:
    if (*bp->b_rptr & FLUSHBAND) {

```

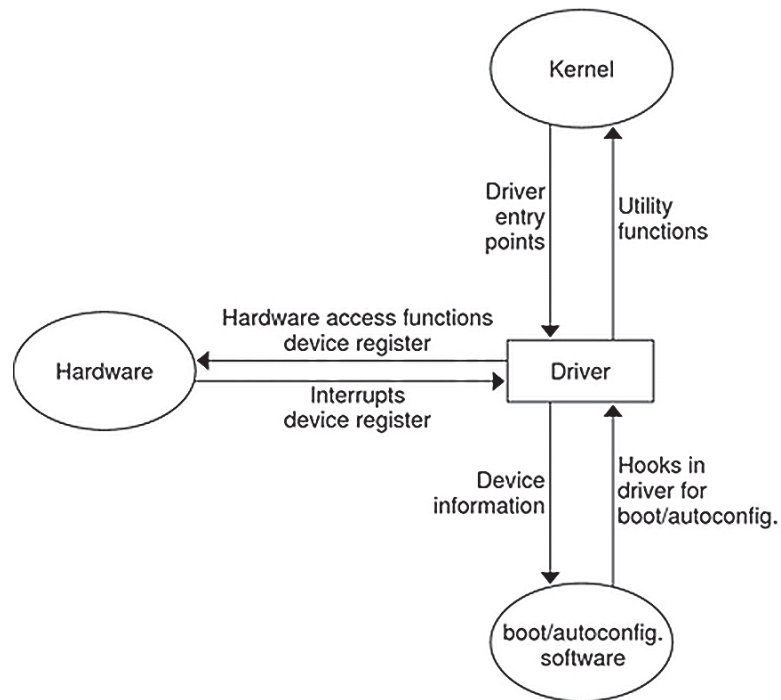
```
    if (*bp->b_rptr & FLUSHW)
        flushband(wrq, FLUSHDATA, *(bp->b_rptr + 1));
    if (*bp->b_rptr & FLUSHR)
        flushband(rdq, FLUSHDATA, *(bp->b_rptr + 1));
} else {
    if (*bp->b_rptr & FLUSHW)
        flushq(wrq, FLUSHDATA);
    if (*bp->b_rptr & FLUSHR)
        flushq(rdq, FLUSHDATA);
}
/*
 * modules pass the message on;
 * drivers shut off FLUSHW and loop the message
 * up the read-side if FLUSHR is set; otherwise,
 * drivers free the message.
 */
break;
```

Note that modules and drivers are not required to treat messages as flowing in separate bands. Modules and drivers can view the queue as having only two bands of flow, normal and high priority. However, the latter alternative flushes the entire queue whenever an M\_FLUSH message is received.

The field `b_flag` of the `msgb` structure provides a way for the stream head to stop M\_FLUSH messages from being reflected forever when the stream is used as a pipe. When the stream head receives an M\_FLUSH message, it sets the `MSGNOLOOP` flag in the `b_flag` field before reflecting the message down the write side of the stream. If the stream head receives an M\_FLUSH message with this flag set, the message is freed rather than reflected.



FIGURE 31 Interfaces Affecting Drivers



The set of STREAMS utilities available to drivers are listed in [Appendix B, “Kernel Utility Interface Summary”](#). No system-defined macros that manipulate global kernel data or introduce structure-size dependencies are permitted in these utilities. So, some utilities that have been implemented as *macros* in the prior Oracle Solaris operating environment releases are implemented as *functions* in the Oracle Solaris system. This does not preclude the existence of both *macro* and *function* versions of these utilities. Driver source code should include a header file that picks up *function* declarations while the core operating system source should include a header file that defines the *macros*. With the DKI interface, the following STREAMS utilities are implemented as C programming language functions: [datams\(9F\)](#), [OTHERQ\(9F\)](#), [putnext\(9F\)](#), [RD\(9F\)](#), and [WR\(9F\)](#).

Replacing macros such as RD with function equivalents in the driver source code allows driver objects to be insulated from changes in the data structures and their size, increasing the useful lifetime of driver source code and objects. Multithreaded drivers are also protected against changes in implementation-specific STREAMS synchronization.

The DKI defines an interface suitable for drivers and there is no need for drivers to access global kernel data structures directly. The kernel function `drv_getparm(9F)` fetches information from these structures. This restriction has an important consequence. Because drivers are not permitted to access global kernel data structures directly, changes in the contents/offsets of information within these structures will not break objects.

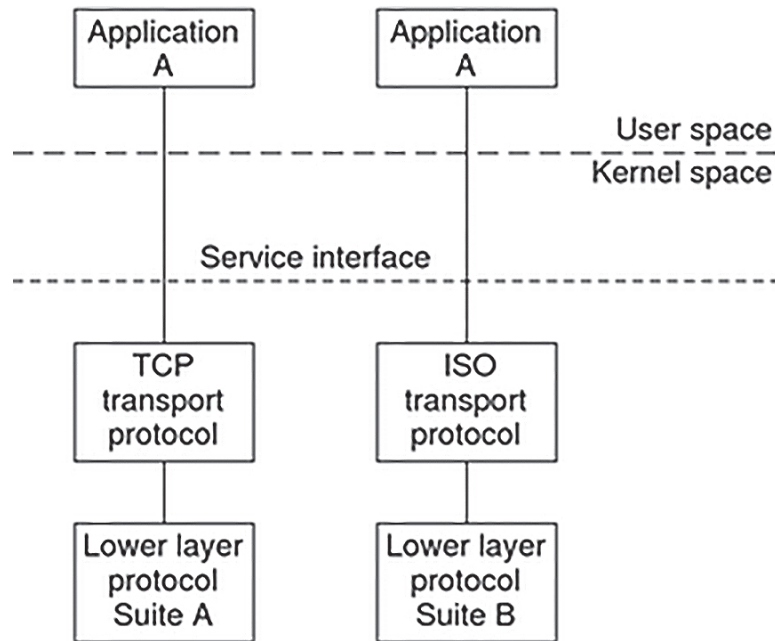
## Driver and Module Service Interfaces

STREAMS provides the means to implement a service interface between any two components in a stream, and between a user process and the topmost module in the stream. A *service interface* is a set of primitives defined at the boundary between a service user and a service provider (see [Figure 33, “Service Interface,” on page 180](#)). Rules define a service and the allowable state transitions that result as these primitives are passed between the user and the provider. These rules are typically represented by a state machine. In STREAMS, the service user and provider are implemented in a module, driver, or user process. The primitives are carried bidirectionally between a service user and provider in `M_PROTO` and `M_PCPROTO` messages.

PROTO messages (`M_PROTO` and `M_PCPROTO`) can be multiblock. The second through last blocks are of type `M_DATA`. The first block in a PROTO message contains the control part of the primitive in a form agreed upon by the user and provider. The block is not intended to carry protocol headers. (Upstream PROTO messages can have multiple PROTO blocks at the start of the message, although its use is not recommended. `getmsg(2)` compacts the blocks into a single control part when sending to a user process.) The `M_DATA` block contains any data part associated with the primitive. The data part can be processed in a module that receives it, or it can be sent to the next stream component, along with any data generated by the module. The contents of PROTO messages and their allowable sequences are determined by the service interface specification.

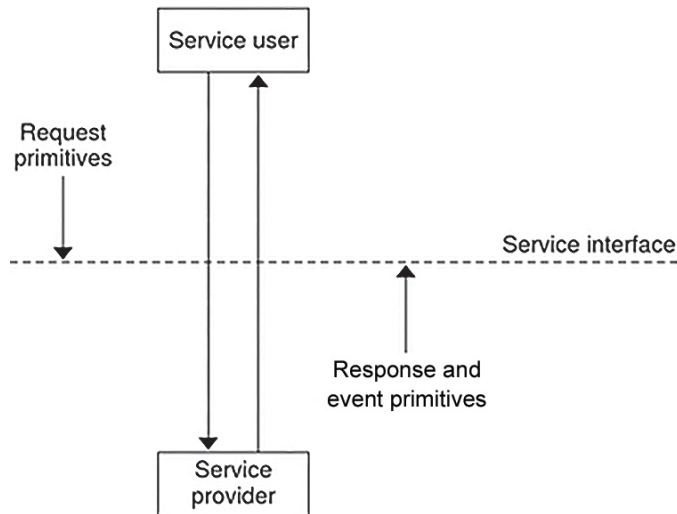
PROTO messages can be sent bidirectionally (upstream and downstream) on a stream and between a stream and a user process. `putmsg(2)` and `getmsg(2)` system calls are analogous to `write(2)` and `read(2)` except that the former allow both data and control parts to be (separately) passed, and they retain the message boundaries across the user-stream interface. `putmsg(2)` and `getmsg(2)` separately copy the control part (`M_PROTO` or `M_PCPROTO` block) and data part (`M_DATA` blocks) between the stream and user process.

An `M_PCPROTO` message normally is used to acknowledge primitives composed of other messages. `M_PCPROTO` ensures that the acknowledgement reaches the service user before any other message. If the service user is a user process, the stream head will only store a single `M_PCPROTO` message, and discard subsequent `M_PCPROTO` messages until the first one is read with `getmsg(2)`.

**FIGURE 32** Protocol Substitution

By defining a service interface through which applications interact with a transport protocol, you can substitute a different protocol below the service interface that is completely transparent to the application. In [Figure 32, “Protocol Substitution,” on page 179](#), the same application can run over the Transmission Control Protocol (TCP) and the ISO transport protocol. Of course, the service interface must define a set of services common to both protocols.

The three components of any service interface are the service user, the service provider, and the service interface itself, as seen in [Figure 33, “Service Interface,” on page 180](#).

**FIGURE 33** Service Interface

Typically, an application makes requests of a service provider using some well-defined service primitive. Responses and event indications are also passed from the provider to the user using service primitives.

Each service interface primitive is a distinct STREAMS message that has two parts, a control part and a data part. The control part contains information that identifies the primitive and includes all necessary parameters. The data part contains user data associated with that primitive.

An example of a service interface primitive is a transport protocol connect request. This primitive requests the transport protocol service provider to establish a connection with another transport user. The parameters associated with this primitive can include a destination protocol address and specific protocol options to be associated with that connection. Some transport protocols also allow a user to send data with the connect request. A STREAMS message is used to define this primitive. The control part identifies the primitive as a connect request and includes the protocol address and options. The data part contains the associated user data.

## Service Interface Library Example

The service interface library example presented here includes four functions that enable a user do the following:

- Establish a stream to the service provider and bind a protocol address to the stream
- Send data to a remote user
- Receive data from a remote user
- Close the stream connected to the provider

First, the structure and constant definitions required by the library are shown in the following code. These typically reside in a header file associated with the service interface.

The defined structures describe the contents of the control part of each service interface message passed between the service user and service provider. The first field of each control part defines the type of primitive being passed.

### EXAMPLE 32 Service Interface Library Header File

```

/*
 * Primitives initiated by the service user.
 */
#define BIND_REQ          1 /* bind request */
#define UNITDATA_REQ     2 /* unitdata request */

/*
 * Primitives initiated by the service provider.
 */
#define OK_ACK           3 /* bind acknowledgement */
#define ERROR_ACK       4 /* error acknowledgement */
#define UNITDATA_IND    5 /* unitdata indication */

/*
 * The following structure definitions define the format
 * of the control part of the service interface message
 * of the above primitives.
 */
struct bind_req {
    t_scalar_t    PRIM_type; /* always BIND_REQ */
    t_uscalar_t  BIND_addr; /* addr to bind */
};
struct unitdata_req {
    t_scalar_t    PRIM_type; /* always UNITDATA_REQ */
    t_scalar_t    DEST_addr; /* destination addr */
};

```

```
struct ok_ack {                                /* positiv acknowledgement*/
    t_scalar_t  PRIM_type;                    /* always OK_ACK */
};

struct error_ack {                             /* error acknowledgement */
    t_scalar_t  PRIM_type;                    /* always ERROR_ACK */
    t_scalar_t  UNIX_error;                  /* UNIX systemerror code */
};

struct unitdata_ind {                          /* unitdata indication */
    t_scalar_t  PRIM_type;                    /* always UNITDATA_IND */
    t_scalar_t  SRC_addr;                    /* source addr */
};

/* union of all primitives */
union primitives {
    t_scalar_t      type;
    struct bind_req  bind_req;
    struct unitdata_req  unitdata_req;
    struct ok_ack    ok_ack;
    struct error_ack  error_ack;
    struct unitdata_ind  unitdata_ind;
};

/* header files needed by library */
#include <stropts.h>
#include <stdio.h>
#include <errno.h>
```

Five primitives are defined. The first two represent requests from the service user to the service provider.

**BIND\_REQ**                   Asks the provider to bind a specified protocol address. It requires an acknowledgement from the provider to verify that the contents of the request were syntactically correct.

**UNITDATA\_REQ**               Asks the provider to send data to the specified destination address. It does not require an acknowledgement from the provider.

The three other primitives represent acknowledgements of requests, or indications of incoming events, and are passed from the service provider to the service user.

**OK\_ACK**                     Informs the user that a previous bind request was received successfully by the service provider.

ERROR_ACK	Informs the user that a nonfatal error was found in the previous bind request. It indicates that no action was taken with the primitive that caused the error.
UNITDATA_IND	Indicates that data destined for the user has arrived.

## Module Service Interface Example

The following code is part of a module that illustrates the concept of a service interface. The module implements a simple service interface and mirrors the service interface library example. The following rules pertain to service interfaces.

- Modules and drivers that support a service interface must act upon *all* PROTO messages and not pass them through.
- Modules can be inserted between a service user and a service provider to manipulate the data part as it passes between them. However, these modules cannot alter the contents of the control part (PROTO block, first message block) nor alter the boundaries of the control or data parts. That is, the message blocks comprising the data part can be changed, but the message cannot be split into separate messages nor combined with other messages.

In addition, modules and drivers must observe the rule that high-priority messages are not subject to flow control and forward them accordingly.

## Service Primitive Declarations

The service interface primitives are defined in the declarations shown in the following example:

### EXAMPLE 33 Service Primitive Declarations

```
#include <sys/types.h>
#include <sys/param.h>
#include <sys/stream.h>
#include <sys/errno.h>

/* Primitives initiated by the service user */

#define BIND_REQ    1 /* bind request */
#define UNITDATA_REQ 2 /* unitdata request */

/* Primitives initiated by the service provider */

#define OK_ACK      3 /* bind acknowledgement */
```

```
#define ERROR_ACK    4 /* error acknowledgement */
#define UNITDATA_IND 5 /* unitdata indication */
/*
 * The following structures define the format of the
 * stream message block of the above primitives.
 */
struct bind_req { /* bind request */
    t_scalar_t PRIM_type; /* always BIND_REQ */
    t_uscalar_t BIND_addr; /* addr to bind */
};
struct unitdata_req { /* unitdata request */
    t_scalar_t PRIM_type; /* always UNITDATA_REQ */
    t_scalar_t DEST_addr; /* dest addr */
};
struct ok_ack { /* ok acknowledgement */
    t_scalar_t PRIM_type; /* always OK_ACK */
};
struct error_ack { /* error acknowledgement */
    t_scalar_t PRIM_type; /* always ERROR_ACK */
    t_scalar_t UNIX_error; /* UNIX system error code*/
};
struct unitdata_ind { /* unitdata indication */
    t_scalar_t PRIM_type; /* always UNITDATA_IND */
    t_scalar_t SRC_addr; /* source addr */
};

union primitives { /* union of all primitives */
    long type;
    struct bind_req bind_req;
    struct unitdata_req unitdata_req;
    struct ok_ack ok_ack;
    struct error_ack error_ack;
    struct unitdata_ind unitdata_ind;
};
struct dgproto { /* structure minor device */
    short state; /* current provider state */
    long addr; /* net address */
};

/* Provider states */
#define IDLE 0
#define BOUND 1
```

In general, the `M_PROTO` or `M_PCPROTO` block is described by a data structure containing the service interface information in this example, union primitives.

The module recognizes two commands:



**BIND\_REQ** Give this stream a protocol address (for example, give it a name on the network). After a **BIND\_REQ** is completed, data from other senders will find their way through the network to this particular stream.

**UNITDATA\_REQ** Send data to the specified address.

The module generates three messages:

**OK\_ACK** A positive acknowledgement (ack) of **BIND\_REQ**.

**ERROR\_ACK** A negative acknowledgement (nak) of **BIND\_REQ**.

**UNITDATA\_IND** Data from the network has been received.

The acknowledgement of a **BIND\_REQ** informs the user that the request was syntactically correct (or incorrect if **ERROR\_ACK**). The receipt of a **BIND\_REQ** is acknowledged with an **M\_PCPROTO** to ensure that the acknowledgement reaches the user before any other message. For example, if a **UNITDATA\_IND** comes through before the bind is completed, the application cannot send data to the proper address.

The driver uses a per-minor device data structure, **dgproto**, which contains the following:

**state** Current state of the service provider **IDLE** or **BOUND**.

**addr** Network address that has been bound to this stream.

The module **open** procedure is assumed to have set the write queue **q\_ptr** to point at the appropriate private data structure, although this is not shown explicitly.

## Service Interface Procedure

The write **put** procedure, **protowput()**, is shown in the following example:

### EXAMPLE 34 Service Interface **protowput** Procedure

```
static int protowput(queue_t *q, mblk_t *mp)
{
    union primitives *proto;
    struct dgproto *dgproto;
    int err;
    dgproto = (struct dgproto *) q->q_ptr; /* priv data struct */
    switch (mp->b_datap->db_type) {
    default:
        /* don't understand it */
    }
```

```
mp->b_datap->db_type = M_ERROR;
mp->b_rptr = mp->b_wptr = mp->b_datap->db_base;
*mp->b_wptr++ = EPROTO;
qreply(q, mp);
break;
case M_FLUSH: /* standard flush handling goes here ... */
break;
case M_PROTO:
/* Protocol message -> user request */
proto = (union primitives *) mp->b_rptr;
switch (proto->type) {
default:
mp->b_datap->db_type = M_ERROR;
mp->b_rptr = mp->b_wptr = mp->b_datap->db_base;
*mp->b_wptr++ = EPROTO;
qreply(q, mp);
return;
case BIND_REQ:
if (dgproto->state != IDLE) {
err = EINVAL;
goto error_ack;
}
if (mp->b_wptr - mp->b_rptr !=
sizeof(struct bind_req)) {
err = EINVAL;
goto error_ack;
}
if (err = chkaddr(proto->bind_req.BIND_addr))
goto error_ack;
dgproto->state = BOUND;
dgproto->addr = proto->bind_req.BIND_addr;
mp->b_datap->db_type = M_PCPROTO;
proto->type = OK_ACK;
mp->b_wptr=mp->b_rptr+sizeof(structok_ack);
qreply(q, mp);
break;
error_ack:
mp->b_datap->db_type = M_PCPROTO;
proto->type = ERROR_ACK;
proto->error_ack.UNIX_error = err;
mp->b_wptr = mp->b_rptr+sizeof(structerror_ack);
qreply(q, mp);
break;
case UNITDATA_REQ:
if (dgproto->state != BOUND)
goto bad;
if (mp->b_wptr - mp->b_rptr !=
sizeof(struct unitdata_req))
```

```

        goto bad;
    if(err=chkaddr(proto->unitdata_req.DEST_addr))
        goto bad;
    putq(q, mp);
    /* start device or mux output ... */
    break;
bad:
    freemsg(mp);
    break;
}
}
return(0);
}

```

The write put procedure, `protowput()`, switches on the message type. The only types accepted are `M_FLUSH` and `M_PROTO`. For `M_FLUSH` messages, the driver performs the canonical flush handling (not shown). For `M_PROTO` messages, the driver assumes that the message block contains a union primitive and switches on the type field. Two types are understood: `BIND_REQ` and `UNITDATA_REQ`.

For a `BIND_REQ`, the current state is checked; it must be `IDLE`. Next, the message size is checked. If it is the correct size, the passed-in address is verified for legality by calling `chkaddr`. If everything checks, the incoming message is converted into an `OK_ACK` and sent upstream. If there was any error, the incoming message is converted into an `ERROR_ACK` and sent upstream.

For `UNITDATA_REQ`, the state is also checked; it must be `BOUND`. As above, the message size and destination address are checked. If there is any error, the message is discarded. If all is well, the message is put in the queue, and the lower half of the driver is started.

If the write put procedure receives a message type that it does not understand, either a bad `b_datap->db_type` or bad `proto->type`, the message is converted into an `M_ERROR` message and is then sent upstream.

The generation of `UNITDATA_IND` messages (not shown in the example) would normally occur in the device interrupt if this is a hardware driver or in the lower read put procedure if this is a multiplexer. The algorithm is simple: the data part of the message is prefixed by an `M_PROTO` message block that contains a `unitdata_ind` structure and is sent upstream.

## Message Type Change Rules

To change a message type, use the following rules:

- You can only change the `M_IOCTL` family of message types to other `M_IOCTL` message types.

- M\_DATA, M\_PROTO, and M\_PCPROTO are dependent on the modules, driver and service provider interfaces defined.
- A message type should not be changed if the reference count > 1.
- The data of a message should not be modified if the reference count > 1.
- All other message types are interchangeable as long as sufficient space has been allocated in the data buffer of the message.

## Common ioctl Interfaces

Many ioctl operations are common to a class of STREAMS drivers or STREAMS modules. Modules that deal with terminals usually implement a subset of the [termio\(7I\)](#) ioctls. Similarly, drivers that deal with audio devices usually implement a subset of the [audio\(7I\)](#) interfaces.

Because no data structures have changed size as a result of the LP64 data model for either [termio\(7I\)](#) or [audio\(7I\)](#), you do not need to use any of the structure macros to decode any of these ioctls.

### FIORDCHK ioctl

The FIORDCHK ioctl returns a count (in bytes) of the number of bytes to be read as the return value. Although FIORDCHK should be able to return more than MAXINT bytes, it is constrained to returning an int by the type of the [ioctl\(2\)](#) function.

### FIONREAD ioctl

The FIONREAD ioctl returns the number of data bytes (in all data messages queued) in the location pointed to by the arg parameter. The ioctl returns a 32-bit quantity for both 32-bit and 64-bit applications. Therefore, code that passes the address of a long variable needs to be changed to pass an int variable for 64-bit applications.

### I\_NREAD ioctl

The I\_NREAD ioctl ([streamio\(7I\)](#)) is an informational ioctl that counts the data bytes as well as the number of messages in the stream head read queue. The number of data bytes is returned

in the location pointed to by the `arg` parameter of the `ioctl`. The number of messages in the stream head read queue is returned as the return value of the `ioctl`.

Like `FIONREAD`, the `arg` parameter to the `I_NREAD` `ioctl` should be a pointer to an `int`, not a `long`. And, like `FIORDCHK`, the return value is constrained to be less than or equal to `MAXINT` bytes, even if more data is available.

## signal Message

STREAMS modules and drivers send signals to application processes through a special signal message. If the signal specified by the module or driver is not `SIGPOLL` (see [signal\(3C\)](#)), the signal is delivered to the process group associated with the stream. If the signal is `SIGPOLL`, the signal is only sent to processes that have registered for the signal by using the `I_SETSIG` `ioctl(2)`.

Modules or drivers use an `M_SIG` message to insert an explicit in-band signal into a message stream. For example, a message can be sent to the application process immediately before a particular service interface message. When the `M_SIG` message reaches the head of the stream read queue, a signal is generated and the `M_SIG` message is removed. The service interface message is the next message to be processed by the user. (The `M_SIG` message is usually defined as part of the service interface of the driver or module.)



## STREAMS Drivers

---

This chapter describes the operation of STREAMS drivers and some of the processing typically required in the drivers.

- “STREAMS Device Drivers” on page 191
- “STREAMS Driver Entry Points” on page 192
- “STREAMS Driver Code Samples” on page 197

### STREAMS Device Drivers

STREAMS drivers can be considered a subset of device drivers in general and character device drivers in particular. While there are some differences between STREAMS drivers and non-STREAMS drivers, much of the information contained in [Writing Device Drivers for Oracle Solaris 11.3](#) also applies to STREAMS drivers.

---

**Note** - The word *module* is used differently when talking about drivers. A device driver is a kernel-loadable module that provides the interface between a device and the Device Driver Interface, and is linked to the kernel when it is first invoked.

---

STREAMS drivers share a basic programming model with STREAMS modules. Information common to both drivers and modules is discussed in [Chapter 10, “STREAMS Modules”](#). After summarizing some basic device driver concepts, this chapter discusses several topics specific to STREAMS device drivers (and not covered elsewhere) and then presents code samples illustrating basic STREAMS driver processing.

### Basic Driver

A *device driver* is a loadable kernel module that translates between an I/O device and the kernel to operate the device.

Device drivers can also be software-only, implementing a pseudo-device such as RAM disk or a pseudo-terminal that only exists in software.

In the Oracle Solaris operating environment, the interface between the kernel and device drivers is called the Device Driver Interface (DDI/DKI). This interface is specified in the Section 9E man pages that specify the driver entry points. Section 9 also details the kernel data structures (9S) and utility functions (9F) available to drivers.

The DDI protects the kernel from device specifics. Application programs and the rest of the kernel need little (if any) device-specific code to use the device. The DDI makes the system more portable and easier to maintain.

There are three basic types of device drivers corresponding to the three basic types of devices. *Character* devices handle data serially and transfer data to and from the processor one character at a time, the same as keyboards and low performance printers. *Serial block* devices and drivers also handle data serially, but transfer data to and from memory without processor intervention, the same as tape drives. *Direct access block* devices and drivers also transfer data without processor intervention and blocks of storage on the device can be addressed directly, the same as disk drives.

There are two types of character device drivers: standard character device drivers and STREAMS device drivers. STREAMS is a separate programming model for writing a character driver. Devices that receive data asynchronously (such as terminal and network devices) are suited to a STREAMS implementation.

STREAMS drivers share some kinds of processing with STREAMS modules. Important differences between drivers and modules include how the application manipulates drivers and modules and how interrupts are handled. In STREAMS, drivers are *opened* and modules are *pushed*. A device driver has an interrupt routine to process hardware interrupts.

## STREAMS Driver Entry Points

STREAMS drivers have five different points of contact with the kernel:

**TABLE 14** Kernel Contact Points

Kernel Contact Point	Description
Configuration entry points	These kernel (dynamically loading) routines enable the kernel to find the driver binary in the file system and load it into, or unload it from, the running kernel. The entry points include <code>_init(9E)</code> , <code>_info(9E)</code> , and <code>_fini(9E)</code> .
Initialization entry points	Enable the driver to determine a device's presence and initialize its state. These routines are accessed through the <code>dev_ops(9S)</code> data structure during



Kernel Contact Point	Description
	system initialization. They include <a href="#">getinfo(9E)</a> , <a href="#">probe(9E)</a> , <a href="#">attach(9E)</a> , and <a href="#">detach(9E)</a> .
Table-driven entry points	Accessed through <a href="#">cb_ops(9S)</a> , the character and block access table, when an application calls the appropriate interface. The members of the <a href="#">cb_ops(9S)</a> structure include pointers to entry points that perform the device's functions, such as <a href="#">read(9E)</a> , <a href="#">write(9E)</a> , <a href="#">ioctl(9E)</a> . The <a href="#">cb_ops(9S)</a> table contains a pointer to the <a href="#">streamtab(9S)</a> structure.
STREAMS queue processing entry points	Contained in the <a href="#">streamtab</a> , read and process the STREAMS messages that travel through the queue structures. Examples of STREAMS queue processing entry points are <a href="#">put(9E)</a> and <a href="#">srv(9E)</a> .
Interrupt routines	Handle the interrupts from the device (or software interrupts). It is added to the kernel by <a href="#">ddi_add_intr(9F)</a> when the kernel configuration software calls <a href="#">attach(9E)</a> .

## STREAMS Configuration Entry Points

As with other Oracle Solaris drivers, STREAMS drivers are dynamically linked and loaded when referred to for the first time. For example, when the system is initially booted, the STREAMS pseudo-tty slave pseudo-driver ([pts\(7D\)](#)) is loaded automatically into the kernel when it is first opened.

In STREAMS, the header declarations differ between drivers and modules. The word "module" is used in two different ways when talking about drivers. There are STREAMS modules, which are pushable nondriver entities, and there are kernel-loadable modules, which are components of the kernel. See the appropriate chapters in *Writing Device Drivers for Oracle Solaris 11.3*.

The kernel configuration mechanism must distinguish between STREAMS devices and traditional character devices because system calls to STREAMS drivers are processed by STREAMS routines, not by the system driver routines. The [streamtab](#) pointer in the [cb\\_ops\(9S\)](#) structure provides this distinction. If it is NULL, there are no STREAMS routines to execute; otherwise, STREAMS drivers initialize [streamtab](#) with a pointer to a [streamtab\(9S\)](#) structure containing the driver's STREAMS queue processing entry points.

## STREAMS Initialization Entry Points

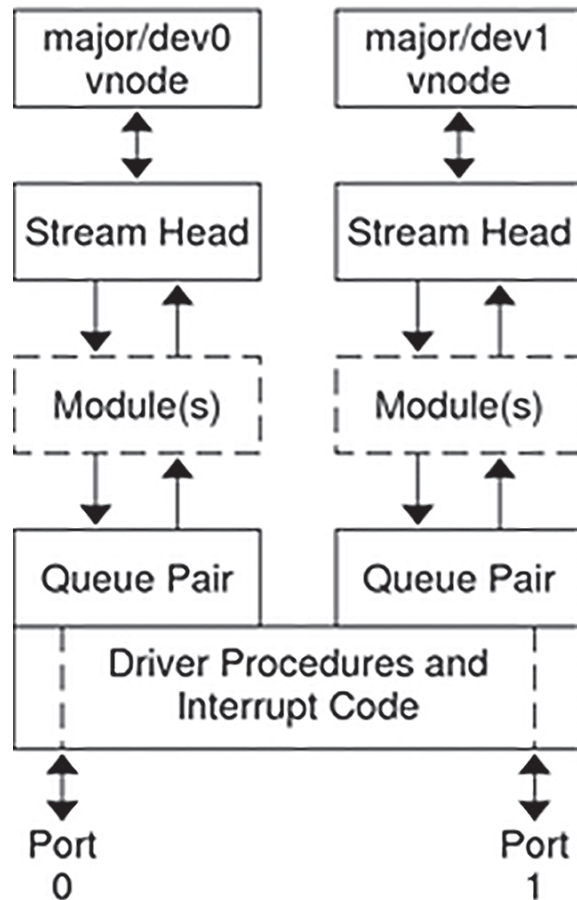
The initialization entry points of STREAMS drivers must perform the same tasks as those of non-STREAMS drivers. See *Writing Device Drivers for Oracle Solaris 11.3* for more information.

## STREAMS Table-Driven Entry Points

In non-STREAMS drivers, most of the driver's work is accomplished through the entry points in the `cb_ops(9S)` structure. For STREAMS drivers, most of the work is accomplished through the message-based STREAMS queue processing entry points.

[Figure 34, “Device Driver Streams,” on page 195](#) shows multiple streams (corresponding to minor devices) connecting to a common driver. There are two distinct streams opened from the same major device. Consequently, they have the same `streamtab` and the same driver procedures.

FIGURE 34 Device Driver Streams



Multiple instances (minor devices) of the same driver are handled during the initial open for each device. Typically, a driver stores the queue address in a driver-private structure that is uniquely identified by the minor device number. (The DDI/DKI provides a mechanism for uniform handling of driver-private structures; see [ddi\\_soft\\_state\(9F\)](#)). The `q_ptr` of the queue points to the private data structure entry. When the messages are received by the queue, the calls to the driver put and service procedures pass the address of the queue, enabling the procedures to determine the associated device through the `q_ptr` field.

STREAMS guarantees that only one `open` or `close` can be active at a time per major/minor device pair.

## STREAMS Queue Processing Entry Points

STREAMS device drivers have processing routines that are registered with the framework through the `streamtab` structure. The `put` procedure is a driver's entry point, but it is a message (not system) interface. STREAMS drivers and STREAMS modules implement these entry points similarly, as described in [“Entry Points” on page 116](#).

The stream head translates `write(2)` and `ioctl(2)` calls into messages and sends them downstream to be processed by the driver's write queue `put(9E)` procedure. `read` is seen directly only by the stream head, which contains the functions required to process system calls. A STREAMS driver does not check system interfaces other than `open` and `close`, but it can detect the absence of a `read` indirectly if flow control propagates from the stream head to the driver and affects the driver's ability to send messages upstream.

For read-side processing, when the driver is ready to send data or other information to a user process, it prepares a message and sends it upstream to the read queue of the appropriate (minor device) stream. The driver's `open` routine generally stores the queue address corresponding to this stream.

For write-side (or output) processing, the driver receives messages in place of a write call. If the message cannot be sent immediately to the hardware, it may be stored on the driver's write message queue. Subsequent output interrupts can remove messages from this queue.

A driver is at the end of a stream. As a result, drivers must include standard processing for certain message types that a module might be able to pass to the next component. For example, a driver must process all `M_IOCTL` messages; otherwise, the stream head blocks for an `M_IOCNAK`, `M_IOCACK`, or until the timeout (potentially infinite) expires. If a driver does not understand an `ioctl(2)`, an `M_IOCNAK` message is sent upstream.

Messages that are not understood by the drivers should be freed.

The stream head locks up the stream when it receives an `M_ERROR` message, so driver developers should be careful when using the `M_ERROR` message.

## STREAMS Interrupt Handlers

Most hardware drivers have an interrupt handler routine. You must supply an interrupt routine for the device's driver. The interrupt handling for STREAMS drivers is not fundamentally different from that for other device drivers. Drivers usually register interrupt handlers in their `attach(9E)` entry point, using `ddi_add_intr(9F)`. Drivers unregister the interrupt handler at detach time using `ddi_remove_intr(9F)`.

The system also supports software interrupts. The routines `ddi_add_softintr(9F)` and `ddi_remove_softintr(9F)` register and unregister (respectively) soft-interrupt handlers. A software interrupt is generated by calling `ddi_trigger_softintr(9F)`.

See [Writing Device Drivers for Oracle Solaris 11.3](#) for more information.

## Driver Unloading

STREAMS drivers can prevent unloading through the standard driver `detach(9E)` entry point.

## STREAMS Driver Code Samples

The following discussion describes characteristics of a STREAMS driver:

- Basic hardware/pseudo drivers  
This type of driver communicates with a specific piece of hardware (or simulated hardware). The `lp` example simulates a simple printer driver.
- Clonable drivers  
The STREAMS framework supports a `CLONEOPEN` facility, which allows multiple streams to be opened from a single special file. If a STREAMS device driver chooses to support `CLONEOPEN`, it can be referred to as a clonable device. The `attach(9E)` routines from two Oracle Solaris drivers, `ptm(7D)` and `log(7D)`, illustrate two approaches to cloning.
- Multiple instances in drivers  
A multiplexer driver is a regular STREAMS driver that can handle multiple streams connected to it instead of just one stream. Multiple connections occur when more than one minor device of the same driver is in use. See [“Cloning STREAMS Drivers” on page 212](#) for more information.

## Printer Driver Example

[Example 35, “Simple Line Printer Driver,” on page 199](#) is a sample print driver for an interrupt-per-character line printer. The driver is unidirectional – it has no read-side processing. It demonstrates some differences between module and driver programming, including the following:

- Declarations for driver configuration
- Open handling
- A driver is passed a device number
- Flush handling
- A driver must loop `M_FLUSH` messages back upstream
- Interrupt routine
- A driver registers interrupt handler and processes interrupts

Most of the STREAMS processing in the driver is independent of the actual printer hardware; in this example, actual interaction with the printer is limited to the `lpoutchar` function, which prints one character at a time. For purposes of demonstration, the "printer hardware" is actually the system console, accessed through [`cmn\_err\(9F\)`](#). Since there's no actual hardware to generate a genuine hardware interrupt, `lpoutchar` simulates interrupts using [`ddi\_trigger\_softintr\(9F\)`](#). For a real printer, the `lpoutchar` function is rewritten to send a character to the printer, which should generate a hardware interrupt.

The driver declarations follow. After specifying header files (include `<sys/ddi.h>` and `<sys/sunddi.h>` as the last two header files), the driver declares a per-printer structure, `struct lp`. This structure contains members that enable the driver to keep track of each instance of the driver, such as `flags` (what the driver is doing), `msg` (the current STREAMS print message), `qptr` (pointer to the stream's write queue), `dip` (the instance's device information handle), `iblock_cookie` (for registering an interrupt handler), `siid` (the handle of the soft interrupt), and `lp_lock` (a mutex to protect the data structure from multithreaded race conditions). The driver next defines the bits for the `flags` member of `struct lp`; the driver defines only one flag, `BUSY`.

Following function prototypes, the driver provides some standard STREAMS declarations: a [`module\_info\(9S\)`](#) structure (`minfo`), a [`qinit\(9S\)`](#) structure for the read side (`rinit`) that is initialized by the driver's `open` and `close` entry points, a [`qinit\(9S\)`](#) structure for the write side (`winit`) that is initialized by the write `put` procedure, and a [`streamtab\(9S\)`](#) that points to `rinit` and `winit`. The values in the module name and ID fields in the [`module\_info\(9S\)`](#) structure must be unique in the system. Because the driver is unidirectional, there is no read side `put` or `service` procedure. The flow control limits for use on the write side are 50 bytes for the low-watermark and 150 bytes for the high-watermark.

The driver next declares `lp_state`. This is an anchor on which the various "soft-state" functions provided by the DDK operate. The [ddi\\_soft\\_state\(9F\)](#) man page describes how to maintain multiple instances of a driver.

The driver next declares `acb_ops(9S)` structure, which is required in all device drivers. In non-STREAMS device drivers, `cb_ops(9S)` contains vectors to the table-driven entry points. For STREAMS drivers, however, `cb_ops(9S)` contains mostly `nodev` entries. The `cb_stream` field, however, is initialized with a pointer to the driver's `streamtab(9S)` structure. This indicates to the kernel that this driver is a STREAMS driver.

Next, the driver declares a `dev_ops(9S)` structure, which points to the various initialization entry points as well as to the `cb_ops(9S)` structure. Finally, the driver declares a `struct moldrv` and a `struct modlinkage` for use by the kernel linker when the driver is dynamically loaded. `struct moldrv` contains a pointer to `mod_driverops` (a significant difference between a STREAMS driver and a STREAMS module – a STREAMS module would contain a pointer to `mod_strops` instead).

#### EXAMPLE 35 Simple Line Printer Driver

```
#include <sys/types.h>
#include <sys/param.h>
#include <sys/stream.h>
#include <sys/stropts.h>
#include <sys/signal.h>
#include <sys/errno.h>
#include <sys/cred.h>
#include <sys/stat.h>
#include <sys/modctl.h>
#include <sys/conf.h>
#include <sys/ddi.h>
#include <sys/sunddi.h>

/* This is a private data structure, one per minor device number */

struct lp {
    short flags; /* flags -- see below */
    mblk_t *msg; /* current message being output */
    queue_t *qptr; /* back pointer to write queue */
    dev_info_t *dip; /* devinfo handle */
    ddi_iblock_cookie_t iblock_cookie;
    ddi_softintr_t siid;
    kmutex_t lp_lock; /* sync lock */
};

/* flags bits */
```

```
#define BUSY 1 /* dev is running, int is forthcoming */

/*
 * Function prototypes.
 */
static int lpattach(dev_info_t *, ddi_attach_cmd_t);
static int lpdetach(dev_info_t *, ddi_detach_cmd_t);
static int lpgetinfo(dev_info_t *, ddi_info_cmd_t, void *, void **);
static int lpidentify(dev_info_t *);
static uint lpintr(caddr_t lp);
static void lpout(struct lp *lp);
static void lpoutchar(struct lp *lp, char c);
static int lpopen(queue_t*, dev_t*, int, int, cred_t*);
static int lpclose(queue_t*, int, cred_t*);
static int lpwput(queue_t*, mblk_t*);

/* Standard Streams declarations */

static struct module_info minfo = {
    0xaabb,
    "lp",
    0,
    INFPSZ,
    150,
    50
};

static struct qinit rinit = {
    (int (*)()) NULL,
    (int (*)()) NULL,
    lpopen,
    lpclose,
    (int (*)()) NULL,
    &minfo,
    NULL
};

static struct qinit winit = {
    lpwput,
    (int (*)()) NULL,
    (int (*)()) NULL,
    (int (*)()) NULL,
    (int (*)()) NULL,
    &minfo,
    NULL
};
```



```
static struct streamtab lpstrinfo = { &rinit, &winit, NULL, NULL };

/*
 * An opaque handle where our lp lives
 */
static void *lp_state;

/* Module Loading/Unloading and Autoconfiguration declarations */

static struct cb_ops lp_cb_ops = {
    nodev, /* cb_open */
    nodev, /* cb_close */
    nodev, /* cb_strategy */
    nodev, /* cb_print */
    nodev, /* cb_dump */
    nodev, /* cb_read */
    nodev, /* cb_write */
    nodev, /* cb_ioctl */
    nodev, /* cb_devmap */
    nodev, /* cb_mmap */
    nodev, /* cb_segmap */
    nochpoll, /* cb_chpoll */
    ddi_prop_op, /* cb_prop_op */
    &lpstrinfo, /* cb_stream */
    D_MP | D_NEW, /* cb_flag */
};

static struct dev_ops lp_ops = {
    DEVO_REV, /* devo_rev */
    0, /* devo_refcnt */
    lpgetinfo, /* devo_getinfo */
    lpidentify, /* devo_identify */
    nulldev, /* devo_probe */
    lpattach, /* devo_attach */
    lpdetach, /* devo_detach */
    nodev, /* devo_reset */
    &lp_cb_ops, /* devo_cb_ops */
    (struct bus_ops *)NULL /* devo_bus_ops */
};

/*
 * Module linkage information for the kernel.
 */
static struct modldrv modldrv = {
    &mod_driverops,
    "Simple Sample Printer Streams Driver", /* Description */
    &lp_ops, /* driver ops */
};
```

```
static struct modlinkage modlinkage = {
    MODREV_1, &modldrv, NULL
};
```

[Example 36, “Configuration Entry Points,”](#) on page 202 shows the required driver configuration entry points `_init(9E)`, `_fini(9E)`, and `_info(9E)`. In addition to installing the driver using `mod_install(9F)`, the `_init` entry point also initializes the per-instance driver structure using `ddi_soft_state_init(9F)`. `_fini(9E)` performs the complementary calls to `mod_remove(9F)` and `ddi_soft_state_fini(9F)` to unload the driver and release the resources used by the soft-state routines.

**EXAMPLE 36** Configuration Entry Points

```
int
_init(void)
{
    int e;

    if ((e = ddi_soft_state_init(&lp_state,
        sizeof (struct lp), 1)) != 0) {
        return (e);
    }

    if ((e = mod_install(&modlinkage)) != 0) {
        ddi_soft_state_fini(&lp_state);
    }

    return (e);
}

int
_fini(void)
{
    int e;

    if ((e = mod_remove(&modlinkage)) != 0) {
        return (e);
    }
    ddi_soft_state_fini(&lp_state);
    return (e);
}

int
_info(struct modinfo *modinfop)
{
    return (mod_info(&modlinkage, modinfop));
}
```

```
}

```

[Example 37, “Initialization Entry Points,” on page 203](#) shows the `lp` driver's implementation of the initialization entry points. In `lpidentify`, the driver ensures that the name of the device being attached is "lp".

`lpattach` first uses `ddi_soft_state_zalloc(9F)` to allocate a per-instance structure for the printer being attached. Next it creates a node in the device tree for the printer using `ddi_create_minor_node(9F)`; user programs use the node to access the device. `lpattach` then registers the driver interrupt handler because the sample is driver pseudo-hardware, the driver uses soft interrupts. A driver for a real printer would use `ddi_add_intr(9F)` instead of `ddi_add_softintr(9F)`. A driver for a real printer would also need to perform any other required hardware initialization in `lpattach`. Finally, `lpattach` initializes the per-instance mutex.

In `lpdetach`, the driver undoes everything it did in `lpattach`.

`lpgetinfo` uses the soft-state structures to obtain the required information.

#### EXAMPLE 37 Initialization Entry Points

```
static int
lpidentify(dev_info_t *dip)
{
    if (strcmp(ddi_get_name(dip), "lp") == 0) {
        return (DDI_IDENTIFIED);
    } else
        return (DDI_NOT_IDENTIFIED);
}

static int
lpattach(dev_info_t *dip, ddi_attach_cmd_t cmd)
{
    int instance;
    struct lp *lpp;

    switch (cmd) {

    case DDI_ATTACH:

        instance = ddi_get_instance(dip);

        if (ddi_soft_state_zalloc(lp_state, instance) != DDI_SUCCESS) {
            cmn_err(CE_CONT, "%s%d: can't allocate state\n",
                ddi_get_name(dip), instance);
            return (DDI_FAILURE);
        }
    }
}
```

```
    } else
        lpp = ddi_get_soft_state(lp_state, instance);

    if (ddi_create_minor_node(dip, "strlp", S_IFCHR,
        instance, NULL, 0) == DDI_FAILURE) {
        ddi_remove_minor_node(dip, NULL);
        goto attach_failed;
    }

    lpp->dip = dip;
    ddi_set_driver_private(dip, (caddr_t)lpp);

    /* add (soft) interrupt */

    if (ddi_add_softintr(dip, DDI_SOFTINT_LOW, &lpp->siid,
        &lpp->iblock_cookie, 0, lpintr, (caddr_t)lpp)
        != DDI_SUCCESS) {
        ddi_remove_minor_node(dip, NULL);
        goto attach_failed;
    }

    mutex_init(&lpp->lp_lock, "lp lock", MUTEX_DRIVER,
        (void *)lpp->iblock_cookie);

    ddi_report_dev(dip);
    return (DDI_SUCCESS);

default:
    return (DDI_FAILURE);
}

attach_failed:
/*
 * Use our own detach routine to toss
 * away any stuff we allocated above.
 */
(void) lpdetach(dip, DDI_DETACH);
return (DDI_FAILURE);
}

static int
lpdetach(dev_info_t *dip, ddi_detach_cmd_t cmd)
{
    int instance;
    struct lp *lpp;
```

```

switch (cmd) {

case DDI_DETACH:
    /*
     * Undo what we did in lpattach, freeing resources
     * and removing things we installed. The system
     * framework guarantees we are not active with this devinfo
     * node in any other entry points at this time.
     */
    ddi_prop_remove_all(dip);
    instance = ddi_get_instance(dip);
    lpp = ddi_get_soft_state(lp_state, instance);
    ddi_remove_minor_node(dip, NULL);
    ddi_remove_softintr(lpp->siid);
    ddi_soft_state_free(lp_state, instance);
    return (DDI_SUCCESS);

default:
    return (DDI_FAILURE);
}
}

/*ARGSUSED*/
static int
lpgetinfo(dev_info_t *dip, ddi_info_cmd_t infocmd, void *arg,
          void **result)
{
    struct lp *lpp;
    int error = DDI_FAILURE;

    switch (infocmd) {
case DDI_INFO_DEVT2DEVINFO:
    if ((lpp = ddi_get_soft_state(lp_state,
        getminor((dev_t)arg))) != NULL) {
        *result = lpp->dip;
        error = DDI_SUCCESS;
    } else
        *result = NULL;
    break;

case DDI_INFO_DEVT2INSTANCE:
    *result = (void *)getminor((dev_t)arg);
    error = DDI_SUCCESS;
    break;

default:
    break;
}
}

```

```
    }  
  
    return (error);  
}
```

The STREAMS mechanism allows only one stream per minor device. The driver open routine is called whenever a STREAMS device is opened. `open` matches the correct private data structure with the stream using `ddi_get_soft_state(9F)`. The driver `open`, `lopen` in [Example 38, “Queue Processing Entry Points,” on page 206](#), has the same interface as the module `open`.

The stream flag, `sflag`, must have the value 0, indicating a normal driver open. `devp` pointers to the major/minor device number for the port. After checking `sflag`, `lopen` uses `devp` to find the correct soft-state structure.

The next check, `if (q->q_ptr) . . .`, determines if the printer is already open. `q_ptr` is a driver or module private data pointer. It can be used by the driver for any purpose and is initialized to zero by STREAMS before the first open. In this example, the driver sets the value of `q_ptr`, in both the read and write queue structures, to point to the device's per-instance data structure. If the pointer is non-NULL, it means the printer is already open, so `lopen` returns `EBUSY` to avoid merging printouts from multiple users.

The driver `close` routine is called by the stream head. Any messages left in the queue are automatically removed by STREAMS. The stream is dismantled and data structures are released.

#### **EXAMPLE 38** Queue Processing Entry Points

```
/*ARGSUSED*/  
static int  
lopen(  
    queue_t *q, /* read queue */  
    dev_t *devp,  
    int flag,  
    int sflag,  
    cred_t *credp)  
{  
  
    struct lp *lp;  
  
    if (sflag) /* driver refuses to do module or clone open */  
        return (ENXIO);  
  
    if ((lp = ddi_get_soft_state(lp_state, getminor(*devp))) == NULL)  
        return (ENXIO);
```

```

/* Check if open already. Can't have multiple opens */

if (q->q_ptr) {
    return (EBUSY);
}

lp->qptr = WR(q);
q->q_ptr = (char *) lp;
WR(q)->q_ptr = (char *) lp;
qprocson(q);
return (0);
}

/*ARGSUSED*/
static int
lpclose(
    queue_t *q, /* read queue */
    int flag,
    cred_t *credp)
{
    struct lp *lp;

    qprocsoff(q);
    lp = (struct lp *) q->q_ptr;

    /*
     * Free message, queue is automatically
     * flushed by STREAMS
     */
    mutex_enter(&lp->lp_lock);

    if (lp->msg) {
        freemsg(lp->msg);
        lp->msg = NULL;
    }

    lp->flags = 0;
    mutex_exit(&lp->lp_lock);

    return (0);
}

```

There are no physical pointers between the read and write queue of a pair. [WR\(9F\)](#) is a queue pointer function. [WR\(9F\)](#) generates the write pointer from the read pointer. [RD\(9F\)](#) and [OTHERQ\(9F\)](#) are additional queue pointer functions. [RD\(9F\)](#) generates the read pointer from the write pointer, and [OTHERQ\(9F\)](#) generates the mate pointer from either.

## Driver Flush Handling

The write put procedure in [Example 39, “Driver Flush Handling,” on page 208](#), `lpwput`, illustrates driver `M_FLUSH` handling. Note that all drivers are expected to incorporate flush handling.

If `FLUSHW` is set, the write message queue is flushed, and (in this example) the leading message (`lp->msg`) is also flushed. `lp_lock` protects the driver's per-instance data structure.

In most drivers, if `FLUSHR` is set, the read queue is flushed. However, in this example, no messages are ever placed on the read queue, so flushing it is not necessary. The `FLUSHW` bit is cleared and the message is sent upstream using `qreply(9F)`. If `FLUSHR` is not set, the message is discarded.

The stream head always performs the following actions on flush requests received on the read side from downstream. If `FLUSHR` is set, messages waiting to be sent to user space are flushed. If `FLUSHW` is set, the stream head clears the `FLUSHR` bit and sends the `M_FLUSH` message downstream. In this manner, a single `M_FLUSH` message sent from the driver can reach all queues in a stream. A module must send two `M_FLUSH` messages to have the same effect.

`lpwput` queues `M_DATA` and `M_IOCTL` messages and if the device is not busy, starts output by calling `lpout`. Message types that are not recognized are discarded (in the default case of the switch).

### EXAMPLE 39 Driver Flush Handling

```
static int lpwput(
    queue_t *q, /* write queue */
    mblk_t *mp) /* message pointer */
{
    struct lp *lp;

    lp = (struct lp *)q->q_ptr;

    switch (mp->b_datap->db_type) {
    default:
        freemsg(mp);
        break;

    case M_FLUSH: /* Canonical flush handling */
        if (*mp->b_rptr & FLUSHW) {
            flushq(q, FLUSHDATA);
            mutex_enter(&lp->lp_lock); /* lock any access to lp */
        }
    }
}
```



```

    if (lp->msg) {
        freemsg(lp->msg);
        lp->msg = NULL;
    }

    mutex_exit(&lp->lp_lock);

}

if (*mp->b_rptr & FLUSHR) {
    *mp->b_rptr &= ~FLUSHW;
    qreply(q, mp);
} else
    freemsg(mp);

break;

case M_IOCTL:
case M_DATA:
    (void) putq(q, mp);
    mutex_enter(&lp->lp_lock);

    if (!(lp->flags & BUSY))
        lpout(lp);

    mutex_exit(&lp->lp_lock);

}
return (0);
}

```

## Print Driver Interrupt

[Example 40, “Driver Interrupt Handling,” on page 210](#) shows the interrupt handling for the printer driver.

`lpintr` is the driver-interrupt handler registered by the `attach` routine.

`lpout` takes a single character from the queue and sends it to the printer. For convenience, the message currently being output is stored in `lp->msg` in the per-instance structure. This assumes that the message is called with the mutex held.

`lpoutchar` sends a single character to the printer (in this case the system console using `cmn_err(9F)`) and interrupts when complete. Of course, hardware would generate a hard interrupt, so the call to `ddi_trigger_softintr(9F)` would be unnecessary.

**EXAMPLE 40** Driver Interrupt Handling

```
/* Device interrupt routine */static uint
lpintr(caddr_t lp) /* minor device number of lp */
{
    struct lp *lpp = (struct lp *)lp;

    mutex_enter(&lpp->lp_lock);

    if (!(lpp->flags & BUSY)) {
        mutex_exit(&lpp->lp_lock);
        return (DDI_INTR_UNCLAIMED);
    }

    lpp->flags &= ~BUSY;
    lpout(lpp);
    mutex_exit(&lpp->lp_lock);

    return (DDI_INTR_CLAIMED);
}

/* Start output to device - used by put procedure and driver */

static void
lpout(
    struct lp *lp)
{
    mblk_t *bp;
    queue_t *q;

    q = lp->qptr;

loop:
    if ((bp = lp->msg) == NULL) { /*no current message*/
        if ((bp = getq(q)) == NULL) {
            lp->flags &= ~BUSY;
            return;
        }
        if (bp->b_datap->db_type == M_IOCTL) {
            /* lpdioctl(lp, bp); */
            goto loop;
        }

        lp->msg = bp; /* new message */
    }
}
```

```

    }

    if (bp->b_rptr >= bp->b_wptr) { /* validate message */

        bp = lp->msg->b_cont;
        lp->msg->b_cont = NULL;
        freeb(lp->msg);
        lp->msg = bp;
        goto loop;
    }

    lpoutchar(lp, *bp->b_rptr++); /*output one character*/
    lp->flags |= BUSY;
}

static void
lpoutchar(
    struct lp *lp,
    char c)
{
    cmn_err(CE_CONT, "%c", c);
    ddi_trigger_softintr(lp->siid);
}

```

## Driver Flow Control

The same utilities (described in [Chapter 10, “STREAMS Modules”](#)) and mechanisms used for module flow control are used by drivers.

When the message is queued, [putq\(9F\)](#) increments the value of `q_count` by the size of the message and compares the result to the driver's write high-watermark (`q_hiwat`) value. If the count reaches `q_hiwat`, [putq\(9F\)](#) sets the internal FULL indicator for the driver write queue. This causes messages from upstream to be halted ([canputnext\(9F\)](#) returns FALSE) until the write queue count drops below `q_lowat`. The driver messages waiting to be output through `lpout` are dequeued by the driver output interrupt routine with [getq\(9F\)](#), which decrements the count. If the resulting count is below `q_lowat`, [getq\(9F\)](#) back-enables any upstream queue that had been blocked.

For priority band data, `qb_count`, `qb_hiwat`, and `qb_lowat` are used.

STREAMS with flow control can be used on the driver read side to handle temporary upstream blocks.

To some extent, a driver or a module can control when its upstream transmission becomes blocked. Control is available through the `M_SETOPTS` message (see [Appendix A, “Message Types”](#)) to modify the stream head read-side flow control limits.

## Cloning STREAMS Drivers

To eliminate polling, STREAMS drivers can be made clonable. If a STREAMS driver is implemented as a clonable device, a single node in the file system can be opened to access any unused device that the driver controls. This special node guarantees that each user is allocated a separate stream to the driver for each open call. Each stream is associated with an unused minor device, so the total number of streams that may be connected to a particular clonable driver is limited only by the number of minor devices configured for that driver.

In previous examples, each user process connected a stream to a driver by explicitly opening a particular minor device of the driver. Each minor device had its own node in the device tree file system. Often, there is a need for a user process to connect a new stream to a driver regardless of which minor device is used to access the driver. In the past, this forced the user process to poll the various minor device nodes of the driver for an available minor device.

The clone model is useful, for example, in a networking environment where a protocol pseudo-device driver requires each user to open a separate stream over which it establishes communication. (The decision to implement a STREAMS driver as a clonable device is made by the designers of the device driver. Knowledge of the clone driver implementation is not required to use it.)

There are two ways to open as a clone device. The first is to use the STREAMS framework-provided clone device, which arranges to open the device with the `CLONEOPEN` flag passed in. This method is demonstrated in [Example 41, “Opening a System Clone Device,” on page 213](#), which shows the `attach` and `open` routines for the pseudo-terminal master `ptm(7D)` driver. The second way is to have the driver open itself as a clone device, without intervention from the system clone device. This method is demonstrated in the `attach` and `open` routines for the `log(7D)` device in [Example 42, “Opening the log Driver,” on page 214](#).

The `ptm(7D)` device, which uses the system-provided clone device, sets up two nodes in the device file system. One has a major number of 23 (`ptm`'s assigned major number) and a minor number of 0. The other node has a major number of 11 (the clone device's assigned major number) and a minor number of 23 (`ptm`'s assigned major number). The driver's `attach` routine (see [Example 41, “Opening a System Clone Device,” on page 213](#)) calls to `ddi_create_minor_node(9F)` twice. First, to set up the "normal" node (major number 23); second, to specify `CLONE_DEV` as the last parameter, making the system create the node with major 11.

```
crw-rw-rw-  1 sys      11, 23 Mar  6 02:05 clone:ptmx
crw-----  1 sys      23,  0 Mar  6 02:05 ptm:ptmajor
```

When the special file `/devices/pseudo/clone@0:ptmx` is opened, the clone driver code in the kernel (accessed by major 11) passes the `CLONEOPEN` flag in the `sflag` parameter to the `ptm(7D)` open routine. `ptm`'s open routine checks `sflag` to make sure it is being called by the clone driver. The open routine next attempts to find an unused minor device for the open by searching its table of minor devices. (`PT_ENTER_WRITE` and `PT_EXIT_WRITE` are driver-defined macros for entering and exiting the driver's mutex.) If it succeeds (and following other open processing), the open routine constructs a new `dev_t` with the new minor number, which it passes back to its caller in the `devp` parameter. (The new minor number is available to the user program that opened the clonable device through an `fstat(2)` call.)

**EXAMPLE 41** Opening a System Clone Device

```
static int
ptm_attach(dev_info_t *devi, ddi_attach_cmd_t cmd)
{
    if (cmd != DDI_ATTACH)
        return (DDI_FAILURE);

    if (ddi_create_minor_node(devi, "ptmajor", S_IFCHR, 0, NULL, 0)
        == DDI_FAILURE) {
        ddi_remove_minor_node(devi, NULL);
        return (DDI_FAILURE);
    }
    if (ddi_create_minor_node(devi, "ptmx", S_IFCHR, 0, NULL, CLONE_DEV)
        == DDI_FAILURE) {
        ddi_remove_minor_node(devi, NULL);
        return (DDI_FAILURE);
    }
    ptm_dip = devi;
    return (DDI_SUCCESS);
}

static int
ptmopen(
    queue_t *rqp, /* pointer to the read side queue */
    dev_t *devp, /* pointer to stream tail's dev */
    int oflag, /* the user open(2) supplied flags */
    int sflag, /* open state flag */
    cred_t *credp) /* credentials */
{
    struct pt_ttys *ptmp;
    mblk_t *mop; /* ptr to a setopts message block */
```

```
minor_t dev;

if (sflag != CLONEOPEN) {
    return (EINVAL);
}

for (dev = 0; dev < pt_cnt; dev++) {
    ptmp = &ptms_tty[dev];
    PT_ENTER_WRITE(ptmp);
    if (ptmp->pt_state & (PTMOPEN | PTSOPEN | PTLOCK)) {
        PT_EXIT_WRITE(ptmp);
    } else
        break;
}

if (dev >= pt_cnt) {
    return (ENODEV);
}

... <other open processing> ...

/*
 * The input, devp, is a major device number, the output is put into
 * into the same parm as a major,minor pair.
 */
*devp = makedevice(getmajor(*devp), dev);
return (0);
}
```

The [log\(7D\)](#) driver uses the second method; it clones itself without intervention from the system clone device. The [log\(7D\)](#) driver's attach routine (in [Example 42, "Opening the log Driver,"](#) on page 214) is similar to the one in [ptm\(7D\)](#). It creates two nodes using [ddi\\_create\\_minor\\_node\(9F\)](#), but neither specifies `CLONE_DEV` as the last parameter. Instead, one of the devices has minor 0, the other minor `CLONEMIN`. These two devices provide [log\(7D\)](#) two interfaces: the first write-only, the second read-write (see the man page [log\(7D\)](#) for more information). Users open one node or the other. If they open the `CONSWMIN` (clonable, read-write) node, the open routine checks its table of minor devices for an unused device. If it is successful, it (like the [ptm\(7D\)](#) open routine) returns the new `dev_t` to its caller in `devp`.

**EXAMPLE 42**    Opening the log Driver

```
static int
log_attach(dev_info_t *devi, ddi_attach_cmd_t cmd)
{
    if (ddi_create_minor_node(devi, "conslog", S_IFCHR, 0, NULL, NULL)
        == DDI_FAILURE ||
```

```

        ddi_create_minor_node(devi, "log", S_IFCHR, 5, NULL, NULL)
        == DDI_FAILURE) {
    ddi_remove_minor_node(devi, NULL);
    return (-1);
}
log_dip = devi;
return (DDI_SUCCESS);
}

static int
logopen(
    queue_t *q,
    dev_t *devp,
    int flag,
    int sflag,
    cred_t *cr)
{
    int i;
    struct log *lp;

    /*
     * A MODOPEN is invalid and so is a CLONEOPEN.
     * This is because a clone open comes in as a CLONEMIN device open!!
     */
    if (sflag)
        return (ENXIO);

    mutex_enter(&log_lock);
    switch (getminor(*devp)) {

    case CONSWMIN:
        if (flag & FREAD) { /* you can only write to this minor */
            mutex_exit(&log_lock);
            return (EINVAL);
        }
        if (q->q_ptr) { /* already open */
            mutex_exit(&log_lock);
            return (0);
        }
        lp = &log_log[CONSWMIN];
        break;

    case CLONEMIN:
        /*
         * Find an unused minor > CLONEMIN.
         */
        i = CLONEMIN + 1;
        for (lp = &log_log[i]; i < log_cnt; i++, lp++) {

```

```
        if (!(lp->log_state & LOGOPEN))
            break;
    }
    if (i >= log_cnt) {
        mutex_exit(&log_lock);
        return (ENXIO);
    }
    *devp = makedevice(getmajor(*devp), i); /* clone it */
    break;

default:
    mutex_exit(&log_lock);
    return (ENXIO);
}

/*
 * Finish device initialization.
 */
lp->log_state = LOGOPEN;
lp->log_rdq = q;
q->q_ptr = (void *)lp;
WR(q)->q_ptr = (void *)lp;
mutex_exit(&log_lock);
qprocson(q);
return (0);
}
```

## Loop-Around Driver

The loop-around driver is a pseudo-driver that loops data from one open stream to another open stream. The associated files are almost like a full-duplex pipe to user processes. The streams are not physically linked. The driver is a simple multiplexer that passes messages from one stream's write queue to the other stream's read queue.

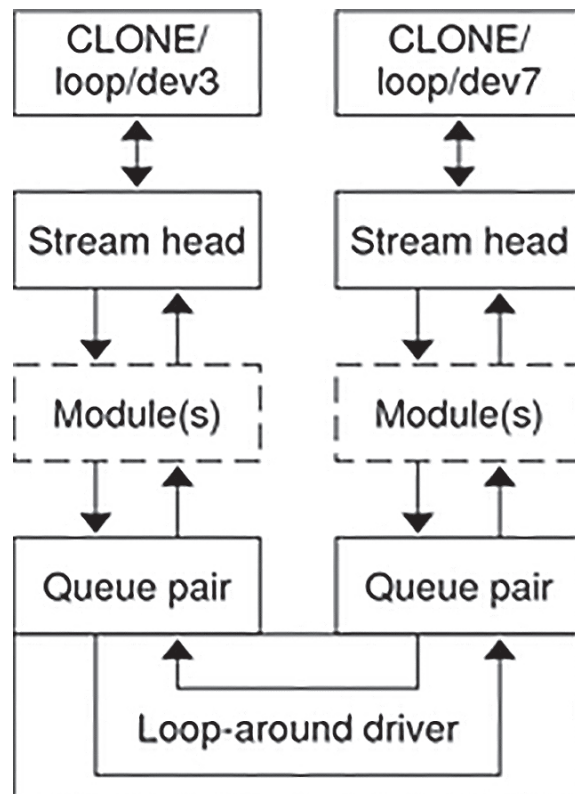
To create a connection, a process opens two streams, obtains the minor device number associated with one of the returned file descriptors, and sends the device number in an `ioctl(2)` to the other stream. For each open, the driver open places the passed queue pointer in a driver interconnection table, indexed by the device number. When the driver later receives an `M_IOCTL` message, it uses the device number to locate the other stream's interconnection table entry, and stores the appropriate queue pointers in both of the streams' interconnection table entries.

Subsequently, when messages other than `M_IOCTL` or `M_FLUSH` are received by the driver on either stream's write side, the messages are switched to the read queue following the driver on the other stream's read side. The resultant logical connection is shown in [Figure 35](#), "Loop-



[Around Streams,](#)” on page 217. Flow control between the two streams must be handled explicitly, since STREAMS do not automatically propagate flow control information between two streams that are not physically connected.

**FIGURE 35** Loop-Around Streams



[Example 43, “Declarations for the Loop-Around Driver,”](#) on page 218 shows the loop-around driver code. The loop structure contains the interconnection information for a pair of streams. `loop_loop` is indexed by the minor device number. When a stream is opened to the driver, the driver places the address of the corresponding `loop_loop` element in the `q_ptr` (private data structure pointer) of the read-side and write-side queues. Since STREAMS clears `q_ptr` when the queue is allocated, a NULL value of `q_ptr` indicates an initial open. `loop_loop` verifies that this stream is connected to another open stream.

The code presented here for the loop-around driver represents a single-threaded, uniprocessor implementation. [Chapter 12, “Multithreaded STREAMS”](#) presents multiprocessor and multithreading issues such as locking to prevent race conditions and data corruption.

[Example 43, “Declarations for the Loop-Around Driver,”](#) on page 218 contains the declarations for the driver.

**EXAMPLE 43**    Declarations for the Loop-Around Driver

```
/* Loop-around driver */

#include <sys/types.h>
#include <sys/param.h>
#include <sys/stream.h>
#include <sys/stropts.h>
#include <sys/signal.h>
#include <sys/errno.h>
#include <sys/cred.h>
#include <sys/stat.h>
#include <sys/modctl.h>
#include <sys/conf.h>
#include <sys/ddi.h>
#include <sys/sunddi.h>

static int loop_identify(dev_info_t *);
static int loop_attach(dev_info_t *, ddi_attach_cmd_t);
static int loop_detach(dev_info_t *, ddi_detach_cmd_t);
static int loop_devinfo(dev_info_t *, ddi_info_cmd_t, void *, void **);
static int loopopen (queue_t*, dev_t*, int, int, cred_t*);
static int loopclose (queue_t*, int, cred_t*);
static int loopwput (queue_t*, mblk_t*);
static int loopwsrv (queue_t*);
static int looprsrv (queue_t*);

static dev_info_t *loop_dip; /* private devinfo pointer */

static struct module_info minfo = {
    0xee12,
    "loop",
    0,
    INFPSZ,
    512,
    128
};

static struct qinit rinit = {
```

```

        (int (*)()) NULL,
        looprsrv,
        loopopen,
        loopclose,
        (int (*)()) NULL,
        &minfo,
        NULL
};

static struct qinit winit = {
    loopwput,
    loopwsrv,
    (int (*)()) NULL,
    (int (*)()) NULL,
    (int (*)()) NULL,
    &minfo,
    NULL
};

static struct streamtab loopinfo= {
    &rinit,
    &winit,
    NULL,
    NULL
};

struct loop {
    queue_t *qptra; /* back pointer to write queue */
    queue_t *qptra; /* pointer to connected read queue */
};

#define LOOP_CONF_FLAG (D_NEW | D_MP)

static struct cb_ops cb_loop_ops = {
    nulldev,          /* cb_open */
    nulldev,          /* cb_close */
    nodev,            /* cb_strategy */
    nodev,            /* cb_print */
    nodev,            /* cb_dump */
    nodev,            /* cb_read */
    nodev,            /* cb_write */
    nodev,            /* cb_ioctl */
    nodev,            /* cb_devmap */
    nodev,            /* cb_mmap */
    nodev,            /* cb_segmap */
    nochpoll,        /* cb_chpoll */
    ddi_prop_op,     /* cb_prop_op */
    ( &loopinfo),   /* cb_stream */
};

```

```
(int)(LOOP_CONF_FLAG) /* cb_flag */
};

static struct dev_ops loop_ops = {
    DEVO_REV,          /* devo_rev */
    0,                 /* devo_refcnt */
    (loop_devinfo),    /* devo_getinfo */
    (loop_identify),   /* devo_identify */
    (nulldev),         /* devo_probe */
    (loop_attach),     /* devo_attach */
    (loop_detach),     /* devo_detach */
    (nodev),           /* devo_reset */
    &(cb_loop_ops),     /* devo_cb_ops */
    (struct bus_ops *)NULL, /* devo_bus_ops */
    (int (*)()) NULL   /* devo_power */
};

#define LOOP_SET (('l'<<8)|1) /* in a .h file */
#define NLOOP 64
static struct loop loop_loop[NLOOP];
static int loop_cnt = NLOOP;

/*
 * Module linkage information for the kernel.
 */
extern struct mod_ops mod_strmodops;

static struct modldrv modldrv = {
    &mod_driverops, "STREAMS loop driver", &loop_ops
};

static struct modlinkage modlinkage = {
    MODREV_1, &modldrv, NULL
};

_init()
{
    return (mod_install(&modlinkage));
}

_info(modinfop)
    struct modinfo *modinfop;
{
    return (mod_info(&modlinkage, modinfop));
}

_fini(void)
{

```

```

    return (mod_remove(&modlinkage));
}

```

[Example 44, “Initialization Routines for the Loop-around Driver,”](#) on page 221 contains the initialization routines.

**EXAMPLE 44** Initialization Routines for the Loop-around Driver

```

static int
loop_identify(dev_info_t *devi)
{
    if (strcmp(ddi_get_name(devi), "loop") == 0)
        return (DDI_IDENTIFIED);
    else
        return (DDI_NOT_IDENTIFIED);
}

static int
loop_attach(dev_info_t *devi, ddi_attach_cmd_t cmd)
{
    if (cmd != DDI_ATTACH)
        return (DDI_FAILURE);

    if (ddi_create_minor_node(devi, "loopmajor", S_IFCHR, 0, NULL, 0)
        == DDI_FAILURE) {
        ddi_remove_minor_node(devi, NULL);
        return (DDI_FAILURE);
    }
    if (ddi_create_minor_node(devi, "loopx", S_IFCHR, 0, NULL, CLONE_DEV)
        == DDI_FAILURE) {
        ddi_remove_minor_node(devi, NULL);
        return (DDI_FAILURE);
    }

    loop_dip = devi;

    return (DDI_SUCCESS);
}

static int
loop_detach(dev_info_t *devi, ddi_detach_cmd_t cmd)
{
    if (cmd != DDI_DETACH)
        return (DDI_FAILURE);

    ddi_remove_minor_node(devi, NULL);
    return (DDI_SUCCESS);
}

```

```
    }

    /*ARGSUSED*/
    static int
    loop_devinfo(
        dev_info_t *dip,
        ddi_info_cmd_t infocmd,
        void *arg,
        void **result)
    {
        int error;

        switch (infocmd) {
        case DDI_INFO_DEVT2DEVINFO:
            if (loop_dip == NULL) {
                error = DDI_FAILURE;
            } else {
                *result = (void *) loop_dip;
                error = DDI_SUCCESS;
            }
            break;
        case DDI_INFO_DEVT2INSTANCE:
            *result = (void *)0;
            error = DDI_SUCCESS;
            break;
        default:
            error = DDI_FAILURE;
        }
        return (error);
    }
}
```

The open procedure (in [Example 45, “Opening the Loop-Around Driver,” on page 222](#)) includes canonical clone processing that enables a single file system node to yield a new minor device/vnode each time the driver is opened. In `loopopen`, `sflag` can be `CLONEOPEN`, indicating that the driver picks an unused minor device. In this case, the driver scans its private `loop_loop` data structure to find an unused minor device number. If `sflag` is not set to `CLONEOPEN`, the passed-in minor device specified by `getminor(*devp)` is used.

**EXAMPLE 45**    Opening the Loop-Around Driver

```
/*ARGSUSED*/
static int loopopen(
    queue_t *q,
    dev_t *devp,
    int flag,
    int sflag,
```

```

    cred_t *credp)
{
    struct loop *loop;
    minor_t newminor;

    if (q->q_ptr) /* already open */
        return(0);

    /*
     * If CLONEOPEN, pick a minor device number to use.
     * Otherwise, check the minor device range.
     */

    if (sflag == CLONEOPEN) {
        for (newminor = 0; newminor < loop_cnt; newminor++ ) {
            if (loop_loop[newminor].qptr == NULL)
                break;
        }
    } else
        newminor = getminor(*devp);

    if (newminor >= loop_cnt)
        return(ENXIO);

    /*
     * construct new device number and reset devp
     * getmajor gets the major number
     */

    *devp = makedevice(getmajor(*devp), newminor);
    loop = &loop_loop[newminor];
    WR(q)->q_ptr = (char *) loop;
    q->q_ptr = (char *) loop;
    loop->qptr = WR(q);
    loop->oqptr = NULL;

    qprocson(q);

    return(0);
}

```

Because the messages are switched to the read queue following the other stream's read side, the driver needs a put procedure only on its write side. `loopwput` (in [Example 46, “Use of `ioctl` to Copy Data From User Space to Kernel Space,”](#) on page 224 ) shows another use of an `ioctl(2)`. The driver supports the `ioc_cmd` value `LOOP_SET` in the `iocblk(9S)` of the `M_IOCTL` message. `LOOP_SET` makes the driver connect the current open stream to the stream indicated in

the message. The second block of the `M_IOCTL` message holds an integer that specifies the minor device number of the stream to which to connect.

The `LOOP_SET ioctl(2)` processing involves several checks:

- Does the second block have the proper amount of data?
- Is the "to" device in range?
- Is the "to" device open?
- Is the current stream disconnected?
- Is the "to" stream disconnected?

If these checks pass, the read queue pointers for the two streams are stored in the respective `oqptr` fields. This cross-connects the two streams indirectly, through `loop_loop`.

The `put` procedure incorporates canonical flush handling.

`loopwput` queues all other messages (for example, `M_DATA` or `M_PROTO`) for processing by its `service` procedure. A check is made that the stream is connected. If not, `M_ERROR` is sent to the stream head. Certain message types can be sent upstream by drivers and modules to the stream head where they are translated into actions detectable by user processes. These messages may also modify the state of the stream head:

<code>M_ERROR</code>	Causes the stream head to lock up. Message transmission between stream and user processes is terminated. All subsequent system calls except <code>close(2)</code> and <code>poll(2)</code> fail. Also causes <code>M_FLUSH</code> , clearing all message queues, to be sent downstream by the stream head.
<code>M_HANGUP</code>	Terminates input from a user process to the stream. All subsequent system calls that would send messages downstream fail. Once the stream head read message queue is empty, EOF is returned on reads. This can also result in <code>SIGHUP</code> being sent to the process group's session leader.
<code>M_SIG/M_PCSIG</code>	Causes a specified signal to be sent to the process group associated with the stream.

`putnextctl(9F)` and `putnextctl1(9F)` allocate a nondata (that is, not `M_DATA`, `M_DELAY`, `M_PROTO`, or `M_PCPROTO`) type message, place one byte in the message (for `putnextctl1(9F)`), and call the `put(9E)` procedure of the specified queue.

**EXAMPLE 46** Use of `ioctl` to Copy Data From User Space to Kernel Space

```
static int loopwput(queue_t *q, mblk_t *mp)
{
    struct loop *loop;
```



```
int to;

loop = (struct loop *)q->q_ptr;

switch (mp->b_datap->db_type) {
case M_IOCTL: {
    struct iocblk *iocp;
    int error=0;

    iocp = (struct iocblk *)mp->b_rptr;

    switch (iocp->ioc_cmd) {

        case LOOP_SET: {
            /*
             * if this is a transparent ioctl return an error;
             * the complete solution is to convert the message
             * into an M_COPYIN message so that the data is
             * ultimately copied from user space
             * to kernel space.
             */

            if (iocp->ioc_count == TRANSPARENT) {
                error = EINVAL;
                goto iocnak;
            }

            /* fetch other minor device number */

            to = *(int *)mp->b_cont->b_rptr;

            /*
             * Sanity check. ioc_count contains the amount
             * of user supplied data which must equal the
             * size of an int.
             */

            if (iocp->ioc_count != sizeof(int)) {
                error = EINVAL;
                goto iocnak;
            }

            /* Is the minor device number in range? */

            if (to >= loop_cnt || to < 0) {
                error = ENXIO;
                goto iocnak;
            }
        }
    }
}
```

```
/* Is the other device open? */

if (!loop_loop[to].qptra) {
    error = ENXIO;
    goto iocnak;
}

/* Check if either dev is currently connected */

if (loop->oqptra || loop_loop[to].oqptra) {
    error = EBUSY;
    goto iocnak;
}

/* Cross connect the streams through
 * the loopstruct
 */

loop->oqptra = RD(loop_loop[to].qptra);
loop_loop[to].oqptra = RD(q);

/*
 * Return successful ioctl. Set ioc_count
 * to zero, since no data is returned.
 */

mp->b_datap->db_type = M_IOCACK;
iocp->ioc_count = 0;
qreply(q, mp);
break;
}

default:
    error = EINVAL;
iocnak:

/*
 * Bad ioctl. Setting ioc_error causes
 * the ioctl call to return that particular errno.
 * By default, ioctl returns EINVAL on failure.
 */

mp->b_datap->db_type = M_IOCNAK;
iocp->ioc_error = error;
qreply(q, mp);
break;
}
```

```
break;
}

case M_FLUSH: {

    if (*mp->b_rptr & FLUSHW) {
        flushq(q, FLUSHALL); /* write */
        if (loop->oqptr)
            flushq(loop->oqptr, FLUSHALL);
        /* read on other side equals write on this side */
    }

    if (*mp->b_rptr & FLUSHR) {
        flushq(RD(q), FLUSHALL);
        if (loop->oqptr != NULL)
            flushq(WR(loop->oqptr), FLUSHALL);
    }

    switch(*mp->b_rptr) {

    case FLUSHW:
        *mp->b_rptr = FLUSHR;
        break;

    case FLUSHR:
        *mp->b_rptr = FLUSHW;
        break;

    }

    if (loop->oqptr != NULL)
        (void) putnext(loop->oqptr, mp);
    break;
}

default: /* If this Stream isn't connected, send
         * M_ERROR upstream.
         */
    if (loop->oqptr == NULL) {
        freemsg(mp);
        (void) putnextctl1(RD(q), M_ERROR, ENXIO);
        break;
    }
    (void) putq(q, mp);
}
}
```

```
    return (0);
}
```

Service procedures are required in this example on both the write side and read side for flow control (see [Example 47, “Loop-Around Driver Flow Control,”](#) on page 228 ). The write service procedure, `loopwsrv`, takes on the canonical form. The queue being written to is not downstream, but upstream (found through `oqptr`) on the other stream.

In this case, there is no read-side put procedure so the read service procedure, `looprsrv`, is not scheduled by an associated put procedure, as has been done previously. `looprsrv` is scheduled only by being back-enabled when its upstream flow control blockage is released. The purpose of the procedure is to re-enable the writer (`loopwsrv`) by using `oqptr` to find the related queue. `loopwsrv` cannot be directly back-enabled by STREAMS because there is no direct queue linkage between the two streams. Note that no message is queued to the read service procedure. Messages are kept on the write side so that flow control can propagate up to the stream head. [qenable\(9F\)](#) schedules the write-side service procedure of the other stream.

#### **EXAMPLE 47** Loop-Around Driver Flow Control

```
static int loopwsrv (queue_t *q)
{
    mblk_t *mp;
    struct loop *loop;
    loop = (struct loop *) q->q_ptr;

    while ((mp = getq (q)) != NULL) {
        /* Check if we can put the message up
         * the other Stream read queue
         */
        if (mp->b_datap->db_type <= QPCTL && !canputnext (loop->oqptr)) {
            (void) putbq (q, mp); /* read-side is blocked */
            break;
        }

        /* send message to queue following other Stream read queue */

        (void) putnext (loop->oqptr, mp);
    }
    return (0);
}

static int looprsrv (queue_t *q)
{
    /* Enter only when "backenabled" by flow control */
    struct loop *loop;
    loop = (struct loop *) q->q_ptr;
```

```

if (loop->oqptr == NULL)
    return (0);

/*manually enable write service procedure*/
qenable (WR (loop->oqptr));
return (0);
}

```

loopclose breaks the connection between the streams, as shown in [Example 48, “Breaking Stream Connections for Loop-Around Device,” on page 229](#). loopclose sends an M\_HANGUP message up the connected stream to the stream head.

**EXAMPLE 48** Breaking Stream Connections for Loop-Around Device

```

/*ARGSUSED*/
static int loopclose (
    queue_t *q,
    int flag,
    cred_t *credp)
{
    struct loop *loop;

    loop = (struct loop *)q->q_ptr;
    loop->oqptr = NULL;

    /*
     * If we are connected to another stream, break the linkage, and
     * send a hangup message. The hangup message causes the stream head
     * to reject writes, allow the queued data to be read completely,
     * and then return EOF on subsequent reads.
     */

    if (loop->oqptr) {
        (void) putnextctl(loop->oqptr, M_HANGUP);
        ((struct loop *)loop->oqptr->q_ptr)->oqptr = NULL;
        loop->oqptr = NULL;
    }

    qprocsoff(q);
    return (0);
}

```

An application using this driver would first open the clone device node created in the attach routine (/devices/pseudo/clone@0:loopx) two times to obtain two streams. The application can determine the minor numbers of the devices by using `fstat(2)`. Next, it joins the two streams by using the STREAMS `I_STR ioctl(2)` (see [streamio\(7I\)](#)) to pass the `LOOP_SET ioctl(2)` with one of the stream's minor numbers as an argument to the other stream. Once this

is completed, the data sent to one stream using `write(2)` or `putmsg(2)` can be retrieved from the other stream with `read(2)` or `getmsg(2)`. The application also can interpose STREAMS modules between the stream heads and the driver using the `I_PUSH ioctl(2)`.

## Summarizing STREAMS Device Drivers

STREAMS device drivers are in many ways similar to non-STREAMS device drivers. The following points summarize the differences between STREAMS drivers and other drivers:

- Drivers must have `attach(9E)` and `probe(9E)` entry points to initialize the driver. The attach routine initializes the driver. Software drivers usually have little to initialize, because there is no hardware involved.
- Drivers have `open(9E)` and `close(9E)` routines.
- Most drivers have an interrupt handler routine. The driver developer is responsible for supplying an interrupt routine for the device's driver. In addition to hardware interrupts, the system also supports software interrupts. A software interrupt is generated by calling `ddi_trigger_softintr(9F)`.
- All minor nodes are generated by `ddi_create_minor_node(9F)`.

STREAMS device drivers also are similar to STREAMS modules. The following points summarize some of the differences between STREAMS modules and drivers.

- Messages that are not understood by the drivers should be freed.
- A driver must process all `M_IOCTL` messages. Otherwise, the stream head blocks for an `M_IOCNAK`, `M_IOCACK`, or until the timeout (potentially infinite) expires.
- If a driver does not understand an `ioctl(2)`, an `M_IOCNAK` message must be sent upstream.
- The stream head locks up the stream when it receives an `M_ERROR` message, so driver developers should be careful when using the `M_ERROR` message.
- A hardware driver must provide an interrupt routine.
- Multithreaded drivers must protect their own data structures.

For more information on global driver issues and non-STREAMS drivers, see [Writing Device Drivers for Oracle Solaris 11.3](#).

# STREAMS Modules

---

This chapter provides specific examples of how modules work, including code samples.

- “Module Overview” on page 231
- “Data Flow Control” on page 239
- “Design Guidelines” on page 241

## Module Overview

STREAMS modules process messages as they flow through the stream between an application and a character device driver. A STREAMS module is a pair of initialized queue structures and the specified kernel-level procedures that process data, status, and control information for the two queues. A stream can contain zero or more modules. Application processes push (stack) modules on a stream using the `I_PUSH ioctl(2)` and pop (unstack) them using the `I_POP ioctl(2)`.

## STREAMS Module Configuration

Like device drivers, STREAMS modules are dynamically linked and can be loaded into and unloaded from the running kernel.

---

**Note** - The word *module* is used differently when talking about drivers. A device driver is a kernel-loadable module that provides the interface between a device and the Device Driver Interface, and is linked to the kernel when it is first invoked.

---

A loadable module must provide linkage information to the kernel in an initialized `modlstrmod(9S)` and three entry points: `_init(9E)`, `_info(9E)`, and `_fini(9E)`.

STREAMS modules can be unloaded from the kernel when not pushed onto a stream. A STREAMS module can prevent itself from being unloaded by returning an error (selected from `errno.h`) from its `_fini(9E)` routine (`EBUSY` is a good choice).

## Module Procedures

STREAMS module procedures (`open`, `close`, `put`, `service`) have already been described in the previous chapters. This section shows some examples and further describes attributes common to module `put` and `service` procedures.

A module's `put` procedure is called by the preceding module, driver, or stream head, and always before that queue's `service` procedure. The `put` procedure does any immediate processing (for example, high-priority messages), while the corresponding `service` procedure performs deferred processing.

The `service` procedure is used primarily for performing deferred processing, with a secondary task to implement flow control. Once the `service` procedure is enabled, it can start but not finish before running user-level code. The `put` and `service` procedures must not block because there is no thread synchronization being done.

[Example 49, “Read-side put Procedure,” on page 232](#) shows a STREAMS module read-side `put` procedure.

### EXAMPLE 49 Read-side put Procedure

```
static int
modrput (queue_t *q, mblk_t *mp)
{
    struct mod_prv *modptr;

    modptr = (struct mod_prv *) q->q_ptr; /*state info*/

    if (mp->b_datap->db_type >= QPCTL){ /*proc pri msg*/
        putnext(q, mp); /* and pass it on */
        return (0);
    }

    switch(mp->b_datap->db_type) {
        case M_DATA: /* can process message data */
            putq(q, mp); /* queue msg for service procedure */
            return (0);
    }
}
```



```

    case M_PROTO: /* handle protocol control message */
        .
        .
        .

    default:
        putnext(q, mp);
        return (0);
    }
}

```

The preceding code does the following:

- A pointer to a queue defining an instance of the module and a pointer to a message are passed to the put procedure.
- The put procedure performs a `switch` on the type of the message. For each message type, the put procedure either enqueues the message for further processing by the module service procedure, or passes the message to the next module in the stream.
- High-priority messages are typically processed immediately. Immediate processing is not required by the put procedure and the message is passed to the next module.
- Ordinary (or normal) messages are either queued or passed along the stream.

[Example 50, “Write-side put Procedure,” on page 233](#) shows a module write-side put procedure.

#### EXAMPLE 50 Write-side put Procedure

```

static int
modwput (queue_t *q, mblk_t *mp)
{
    struct mod_prv *modptr;

    modptr = (struct mod_prv *) q->q_ptr; /*state info*/

    if (mp->b_datap->db_type >= QPCTL){ /* proc pri msg and pass it on */
        putnext(q, mp);
        return (0);
    }

    switch(mp->b_datap->db_type) {
    case M_DATA: /* can process message data queue msg */
        putq(q, mp); /* for service procedure or pass message */
        /* along with putnext(q,mp) */
        return (0);

    case M_PROTO:

```

```
.
.
.

case M_IOCTL: /* if cmd in msg is recognized */
    /* process message and send reply back */
    /* else pass message downstream */

default:
    putnext(q, mp);
    return (0);
}
}
```

The write-side put procedure, unlike the read side, can be passed M\_IOCTL messages. The module must recognize and process the `ioctl(2)` command, or pass the message downstream if it does not recognize the command.

[Example 51, “STREAMS Module Service Procedure,” on page 234](#) shows a general scenario employed by the module's service procedure.

**EXAMPLE 51** STREAMS Module Service Procedure

```
static int
modrsrv (queue_t *q)
{
    mblk_t *mp;

    while ((mp = getq(q)) != NULL) {
        /* flow control check */
        if (!(mp->b_datap->db_type >= QPCTL) && !canputnext(q)) {
            putbq(q, mp); /* return message */
            return (0);
        }
        /* process the message */
        .
        .
        .
        putnext(q, mp); /* pass the result */
    }
    return (0);
}
```

The steps are:

1. Retrieve the first message from the queue using `getq(9F)`.
2. If the message is high priority, process it immediately and pass it along the stream.

Otherwise, the service procedure should use `canputnext(9F)` to determine if the next module or driver that enqueues messages is within acceptable flow-control limits. `canputnext(9F)` searches the stream for the next module, driver, or the stream head with a service procedure. When it finds one, it looks at the total message space currently allocated to the queue for messages. If the amount of space currently used at that queue reaches the high-water mark, `canputnext(9F)` returns false (zero). If the next queue with a service procedure is within acceptable flow-control limits, `canputnext(9F)` returns true (nonzero).

3. If `canputnext(9F)` returns false, the service procedure returns the message to its own queue with `putbq(9F)`. The service procedure can do no further processing at this time, and it returns to the caller.

If `canputnext(9F)` returns true, the service procedure completes any processing of the message. This can involve retrieving more messages from the queue, allocating and deallocating header and trailer information, and performing control functions for the module.

4. When the service procedure is finished processing the message, it calls `putnext(9F)` to pass the resulting message to the next queue.

These steps are repeated until `getq(9F)` returns NULL (the queue is empty) or `canputnext(9F)` returns false.

## Filter Module Example

The module shown next, `crmod` in [Example 52, “Filter Module,” on page 235](#), is an asymmetric filter. On the write side, a newline is changed to a carriage return followed by a newline. On the read side, no conversion is done.

### EXAMPLE 52 Filter Module

```
/* Simple filter
 * converts newline -> carriage return, newline
 */
#include <sys/types.h>
#include <sys/param.h>
#include <sys/stream.h>
#include <sys/stropts.h>
#include <sys/ddi.h>
#include <sys/sunddi.h>

static struct module_info minfo =
```

```
{ 0x09, "crmod", 0, INFPSZ, 512, 128 };

static int modopen (queue_t*, dev_t*, int, int, cred_t*);
static int modrput (queue_t*, mblk_t*);
static int modwput (queue_t*, mblk_t*);
static int modwsrv (queue_t*);
static int modclose (queue_t*, int, cred_t*);

static struct qinit rinit = {
    modrput, NULL, modopen, modclose, NULL, &minfo, NULL};

static struct qinit winit = {
    modwput, modwsrv, NULL, NULL, NULL, &minfo, NULL};

struct streamtab crmdinfo={ &rinit, &winit, NULL, NULL};
```

stropts.h includes definitions of flush message options common to user applications. modrput is like modput from the null module.

In contrast to the null module example, a single module\_info structure is shared by the read side and write side. The module\_info includes the flow control high-water and low-water marks (512 and 128) for the write queue. (Though the same module\_info is used on the read queue side, the read side has no service procedure so flow control is not used.) The qinit contains the service procedure pointer.

The write-side put procedure, the beginning of the service procedure, and an example of flushing a queue are shown in [Example 53, "Flushing a Queue,"](#) on page 236.

#### **EXAMPLE 53** Flushing a Queue

```
static int
modwput(queue_t *q, mblk_t *mp)
{
    if (mp->b_datap->db_type >= QPCTL && mp->b_datap->db_type != M_FLUSH)
        putnext(q, mp);
    else
        putq(q, mp);    /* Put it on the queue */
    return (0);
}

static int
modwsrv(queue_t *q)
{
    mblk_t *mp;

    while ((mp = getq(q)) != NULL) {
        switch (mp->b_datap->db_type) {
```

```

default:
    if (canputnext(q)) {
        putnext(q, mp);
        break;
    } else {
        putbq(q, mp);
        return (0);
    }

case M_FLUSH:
    if (*mp->b_rptr & FLUSHW)
        flushq(q, FLUSHDATA);
    putnext(q, mp);
    break;

case M_DATA: {
    mblk_t *nbp = NULL;
    mblk_t *next;
    if (!canputnext(q)) {
        putbq(q, mp);
        return (0);
    }
    /* Filter data, appending to queue */
    for (; mp != NULL; mp = next) {
        while (mp->b_rptr < mp->b_wptr) {
            if (*mp->b_rptr == '\n')
                if (!bappend(&nbp, '\r'))
                    goto push;
            if (!bappend(&nbp, *mp->b_rptr))
                goto push;
            mp->b_rptr++;
            continue;
        }
    push:
        if (nbp)
            putnext(q, nbp);
        nbp = NULL;
        if (!canputnext(q)) {
            if (mp->b_rptr >= mp->b_wptr){
                next = mp->b_cont;
                freeb(mp);
                mp=next;
            }
            if (mp)
                putbq(q, mp);
            return (0);
        }
    } /* while */
    next = mp->b_cont;

```

```
        freeb(mp);
        if (nbp)
            putnext(q, nbp);
    } /* for */
    }
} /* switch */
}
return (0);
}
```

`modwsrv()` is the write service procedure. It takes a single argument, which is a pointer to the write queue. `modwsrv()` switches on the message type, `M_FLUSH` or `M_DATA`. `modwsrv()` processes only one high-priority message, `M_FLUSH`. No other high-priority messages should reach `modwsrv`. High-priority messages other than type `M_FLUSH` use [putnext\(9F\)](#) to avoid scheduling. The others are queued for the service procedure. An `M_FLUSH` message is a request to remove messages on one or both queues. It can be processed in the `put` or `service` procedure.

For an `M_FLUSH` message, `modwsrv()` checks the first data byte. If `FLUSHW` is set, the write queue is flushed by [flushq\(9F\)](#), which takes two arguments, the queue pointer and a flag. The flag indicates what should be flushed, data messages (`FLUSHDATA`) or everything (`FLUSHALL`). Data includes `M_DATA`, `M_DELAY`, `M_PROTO`, and `M_PCPROTO` messages. The choice of what types of messages to flush is specific to each module.

Ordinary messages are returned to the queue if [canputnext\(9F\)](#) returns false, indicating the downstream path is blocked.

The differences in `M_DATA` processing between this and the example in [“Message Allocation and Freeing” on page 138](#) relate to the manner in which the new messages are forwarded and flow controlled. For the purpose of demonstrating alternative means of processing messages, this version creates individual new messages rather than a single message containing multiple message blocks. When a new message block is full, it is immediately forwarded with [putnext\(9F\)](#) rather than being linked into a single large message. This alternative is not desirable because message boundaries are altered, and because of the additional overhead of handling and scheduling multiple messages.

When the filter processing is performed (following push), flow control is checked (with [canputnext\(9F\)](#)) after each new message is forwarded. This is necessary because there is no provision to hold the new message until the queue becomes unblocked. If the downstream path is blocked, the remaining part of the original message is returned to the queue. Otherwise, processing continues.

## Data Flow Control

To support the STREAMS flow control mechanism, modules that use `service` procedures must invoke `canputnext(9F)` before calling `putnext(9F)`, and use appropriate values for the high-water and low-water marks. If your module has a `service` procedure, you manage the flow control. If you don't have a `service` procedure, then there is no need to do anything.

The queue `hiwat` and `lowat` values limit the amount of data that can be placed on a queue. These limits prevent depletion of buffers in the buffer pool. Flow control is advisory in nature and can be bypassed. It is managed by high-water and low-water marks and regulated by the utility routines `getq(9F)`, `putq(9F)`, `putbq(9F)`, `insq(9F)`, `rmvq(9F)`, and `canputnext(9F)`.

The following scenario takes place normally in flow control:

A driver sends data to a module using `putnext(9F)`, and the module's `put` procedure queues data using `putq(9F)`. Calling `putq(9F)` enables the `service` procedure and executes it at some indeterminate time in the future. When the `service` procedure runs, it retrieves the data by calling `getq(9F)`.

If the module cannot process data at the rate at which the driver is sending the data, the following happens:

When the message is queued, `putq(9F)` increments the value of `q_count` by the size of the message and compares the result to the module's high-water limit (`q_hiwat`) value for the queue. If the count reaches `q_hiwat`, `putq(9F)` sets the internal FULL indicator for the queue. This causes messages from upstream in the case of a write-side queue or downstream in the case of a read-side queue to be halted (`canputnext(9F)` returns FALSE) until the queue count drops below `q_lowat`. `getq(9F)` decrements the queue count. If the resulting count is below `q_lowat`, `getq(9F)` back-enables and causes the `service` procedure to be called for any blocked queue. (Flow control does not prevent reaching `q_hiwat` on a queue. Flow control can exceed its maximum value before `canputnext(9F)` detects QFULL and flow is stopped.)

The next example show a line discipline module's flow control. [Example 54, “Read-side Line Discipline Module,” on page 239](#) shows a read-side line discipline module and a write-side line discipline module. Note that the read side is the same as the write side but without the `M_IOCTL` processing.

### EXAMPLE 54 Read-side Line Discipline Module

```
/* read side line discipline module flow control */
static mblk_t *read_canon(mblk_t *);
```

```
static int
ld_read_srv(
    queue_t *q)      /* pointer to read queue */
{
    mblk_t *mp;      /* original message */
    mblk_t *bp;      /* canonicalized message */

    while ((mp = getq(q)) != NULL) {
        switch (mp->b_datap->db_type) { /* type of msg */
            case M_DATA: /* data message */
                if (canputnext(q)) {
                    bp = read_canon(mp);
                    putnext(q, bp);
                } else {
                    putbq(q, mp); /* put messagebackinqueue */
                    return (0);
                }
                break;

            default:
                if (mp->b_datap->db_type >= QPCTL)
                    putnext(q, mp); /* high-priority message */
                else { /* ordinary message */
                    if (canputnext(q))
                        putnext(q, mp);
                    else {
                        putbq(q, mp);
                        return (0);
                    }
                }
                break;
        }
    }
    return (0);
}

/* write side line discipline module flow control */
static int
ld_write_srv(
    queue_t *q)      /* pointer to write queue */
{
    mblk_t *mp;      /* original message */
    mblk_t *bp;      /* canonicalized message */

    while ((mp = getq(q)) != NULL) {
        switch (mp->b_datap->db_type) { /* type of msg */
            case M_DATA: /* data message */
                if (canputnext(q)) {
```



```

        bp = write_canon(mp);
        putnext(q, bp);
    } else {
        putbq(q, mp);
        return (0);
    }
    break;

case M_IOCTL:
    ld_ioctl(q, mp);
    break;

default:
    if (mp->b_datap->db_type >= QPCTL)
        putnext(q, mp); /* high priority message */
    else { /* ordinary message */
        if (canputnext(q))
            putnext(q, mp);
        else {
            putbq(q, mp);
            return (0);
        }
    }
    break;
}
}
return (0);
}

```

## Design Guidelines

Module developers should follow these guidelines:

- If a module cannot process the message types, the message types must be passed to the next module.
- The module that acts on an `M_IOCTL` message should send an `M_IOCACK` or `M_IOCNAK` message in response to the `ioctl(2)`. If the module cannot process the `ioctl(2)`, it should pass the `M_IOCTL` message to the next module.
- Modules should not pertain to any particular driver but should be compatible with all drivers.
- In general, modules should not require the data in an `M_DATA` message to follow a particular format, such as a specific alignment. This means modules can be arbitrarily pushed on top of each other in a sensible fashion. Not following this rule can limit module usability.

- Filter modules pushed between a service user and a service provider should not alter the contents of the `M_PROTO` or `M_PCPROTO` block in messages. The contents of the data blocks can be changed, but the message boundaries must be preserved.

## **htonl(3B) and ntohl(3B)**

The [htonl\(3SOCKET\)](#) and [ntohl\(3SOCKET\)](#) conversion routines follow the XNS5 publications. The functions continue to convert 32-bit quantities between network byte order and host byte order.

## Configuring STREAMS Drivers and Modules

---

This chapter contains information about configuring STREAMS drivers and modules into the Oracle Solaris operating environment. It describes how to configure a driver and a module for the STREAMS framework only. For more in-depth information on the general configuration mechanism, see *Writing Device Drivers for Oracle Solaris 11.3*.

- “Kernel Data Structures” on page 243
- “STREAMS Driver Entry Points” on page 247
- “Tunable Parameters” on page 254
- “STREAMS Administrative Driver” on page 255

### Kernel Data Structures

The following sections contain descriptions of the pointer relationships maintained by the kernel and the various data structures used in STREAMS drivers. When the kernel accesses a driver, it uses a sequence of pointers in various data structures. It looks first at the data structure relationship, and then the entry point interface for loading the driver into the kernel and accessing the driver from the application level.

The order of data structures the kernel uses to get to a driver is as follows:

<code>modlinkage(9S)</code>	Contains the revision number and a list of drivers to dynamically load. It is used by <code>mod_install</code> in the <code>_init</code> routine to load the module into the kernel. Points to a <code>modldrv(9S)</code> or <code>modlstrmod(9S)</code> .
<code>modldrv(9S)</code>	Contains information about the driver being loaded and points to the <code>devops</code> structure.
<code>modlstrmod(9S)</code>	Points to an <code>fmodsw(9S)</code> structure (which points to a <code>streamtab(9S)</code> ). Only used by STREAMS modules.
<code>dev_ops(9S)</code>	Contains list of entry points for a driver, such as <code>attach</code> , and <code>info</code> . Also points to a <code>cb_ops(9S)</code> structure.

- [cb\\_ops\(9S\)](#) Points to list of threadable entry points to driver, like open, close, read, write, ioctl. Also points to the streamtab.
- [streamtab\(9S\)](#) Points to the read and write queue init structures.
- [qinit\(9S\)](#) Points to the entry points of the STREAMS portion of the driver, such as put, srv, open, close, as well as the mod\_info structure. These entry points only process messages.

Each STREAMS driver or module contains the linkage connections for the various data structures which is a list of pointers to [dev\\_ops\(9S\)](#) structures. In each [dev\\_ops\(9S\)](#) structure is a pointer to the [cb\\_ops\(9S\)](#) structure. In the [cb\\_ops\(9S\)](#) structure contains a pointer to the streamtab struct. If the driver is not a STREAMS driver, streamtab is NULL. If the driver is a STREAMS driver, streamtab contains initialization routines for the driver.

## modlinkage Structure

The definition of [modlinkage\(9S\)](#) is:

```
struct modlinkage {
    int      ml_rev;          /* rev of loadable modules system */
    void     *ml_linkage[4]; /* NULL terminated list of linkage
                             * structures */
};
```

## modldrv Structure

The definition of [modldrv\(9S\)](#) is:

```
struct modldrv {
    struct mod_ops  *drv_modops;
    char           *drv_linkinfo;
    struct dev_ops  *drv_dev_ops;
};
```

## modlstrmod Structure

The definition of [modlstrmod\(9S\)](#) is below. It does not point to [dev\\_ops\(9S\)](#) structures because modules can only be pushed onto an existing stream.

```

struct modlstrmod {
    struct mod_ops      *strmod_modops;
    char                *strmod_linkinfo;
    struct fmodsw      *strmod_fmodsw;
};

```

## dev\_ops Structure

The [dev\\_ops\(9S\)](#) structure represents a specific class or type of device. Each [dev\\_ops\(9S\)](#) structure represents a unique device to the operating system. Each device has its own [dev\\_ops\(9S\)](#) structure, which in turn contains a [cb\\_ops\(9S\)](#) structure.

```

struct dev_ops {
    int      devo_rev;                /* Driver build version */
    int      devo_refcnt;             /* device reference count */
    int      (*devo_getinfo)(dev_info_t *dip, ddi_info_cmd_t infocmd,
        void *arg, void **result);
    int      (*devo_identify)(dev_info_t *dip);
    int      (*devo_probe)(dev_info_t *dip);
    int      (*devo_attach)(dev_info_t *dip, ddi_attach_cmd_t cmd);
    int      (*devo_detach)(dev_info_t *dip, ddi_detach_cmd_t cmd);
    int      (*devo_reset)(dev_info_t *dip, ddi_reset_cmd_t cmd);
    struct cb_ops      *devo_cb_ops; /* cb_ops ptr for leaf driver*/
    struct bus_ops      *devo_bus_ops; /* ptr for nexus drivers */
};

```

## cb\_ops Structure

The [cb\\_ops\(9S\)](#) structure is the Oracle Solaris 11 version of the `cdevsw` and `bdevsw` tables of previous versions of UNIX System V. It contains character and block device information and the driver entry points for non-STREAMS drivers.

```

struct cb_ops {
    int (*cb_open)(dev_t *devp, int flag, int otyp,
        cred_t *credp);
    int (*cb_close)(dev_t dev, int flag, int otyp,
        cred_t *credp);
    int (*cb_strategy)(struct buf *bp);
    int (*cb_print)(dev_t dev, char *str);
    int (*cb_dump)(dev_t dev, caddr_t addr, daddr_t blkno,
        int nblk);
};

```

```
int (*cb_read)(dev_t dev, struct uio *uiop, cred_t *credp);
int (*cb_write)(dev_t dev, struct uio *uiop, cred_t *credp);
int (*cb_ioctl)(dev_t dev, int cmd, int arg, int mode,
    cred_t *credp, int *rvalp);
int (*cb_devmap)(dev_t dev, dev_info_t *dip,
    ddi_devmap_data_t *dvd, ddi_devmap_cmd_t cmd,
    off_t offset, unsigned int len, unsigned int prot,
    cred_t *credp);
int (*cb_mmap)(dev_t dev, off_t off, int prot);
int (*cb_segmap)(dev_t dev, off_t off, struct as *asp,
    caddr_t *addrp, off_t len, unsigned int prot,
    unsigned int maxprot, unsigned int flags,
    cred_t *credp);
int (*cb_chpoll)(dev_t dev, short events, int anyyet,
    short *reventsp, struct pollhead **phpp);
int (*cb_prop_op)(dev_t dev, dev_info_t *dip,
    ddi_prop_op_t prop_op, int mod_flags, char *name,
    caddr_t valuep, int *length);

    struct streamtab *cb_str; /* streams information */

/*
 * The cb_flag fields are here to tell the system a bit about
 * the device. The bit definitions are in <sys/conf.h>.
 */
    int cb_flag; /* driver compatibility flag */
};
```

## streamtab Structure

The [streamtab\(9S\)](#) structure contains pointers to the structures that hold the routines that actually initialize the reading and writing for a module.

If streamtab is NULL, there are no STREAMS routines and the entire driver is treated as though it was a non-STREAMS driver. The [streamtab\(9S\)](#) indirectly identifies the appropriate open, close, put, service, and administration routines. These driver and module routines should generally be declared static.

```
struct streamtab {
    struct qinit *st_rdinit; /* defines read queue */
    struct qinit *st_wrinit; /* defines write queue */
    struct qinit *st_muxrinit; /* for multiplexing */
    struct qinit *st_muxwinit; /* drivers only */
};
```

## qinit Structure

The [qinit\(9S\)](#) structure (also shown in Appendix A) contains pointers to the STREAMS entry points. These routines are called by the module-loading code in the kernel.

```
struct qinit {
    int      (*qi_putp)();           /* put procedure */
    int      (*qi_srvp)();         /* service procedure */
    int      (*qi_qopen)();        /* called on each open or push*/
    int      (*qi_qclose)();       /* called on last close or pop*/
    int      (*qi_qadmin)();       /* reserved for future use */
    struct module_info *qi_minfo; /* info struct */
    struct module_stat *qi_mstat; /* stats struct (opt)*/
};
```

## STREAMS Driver Entry Points

As described in [Chapter 9, “STREAMS Drivers”](#) and as seen in the previous data structures, there are four STREAMS driver entry points:

load kernel module	<a href="#">_init(9E)</a> , <a href="#">_fini(9E)</a> , <a href="#">_info(9E)</a>
dev_ops	<a href="#">attach(9E)</a> , <a href="#">getinfo(9E)</a>
cb_ops	<a href="#">open(9E)</a> , <a href="#">close(9E)</a> , <a href="#">read(9E)</a> , <a href="#">write(9E)</a> , <a href="#">ioctl(9E)</a>
streamtab	<a href="#">put(9E)</a> , <a href="#">srv(9E)</a>

## pts Example

The following real example was taken from the Oracle Solaris operating environment. The driver [pts\(7D\)](#) is the pseudo terminal slave driver.

**EXAMPLE 55** Stream Pseudo Terminal Module

```
/*
 * Slave Stream Pseudo Terminal Module
 */
```

```
#include <sys/types.h>
#include <sys/param.h>
#include <sys/stream.h>
#include <sys/stropts.h>
#include <sys/stat.h>
#include <sys/errno.h>
#include <sys/debug.h>
#include <sys/cmn_err.h>
#include <sys/modctl.h>
#include <sys/conf.h>
#include <sys/ddi.h>
#include <sys/sunddi.h>

static int ptsopen (queue_t*, dev_t*, int, int, cred_t);
static int ptsclose (queue_t*, int, cred_t*);
static int ptswput (queue_t*, mblk_t*);
static int ptsrsrv (queue_t*);
static int ptswsrv (queue_t*);

static int pts_devinfo(dev_info_t *dip, ddi_info_cmd_t infocmd,
    void *arg, void **result);

static struct module_info pts_info = {
    0xface,
    "pts",
    0,
    512,
    512,
    128
};

static struct qinit ptsrint = {
    NULL,
    ptsrsrv,
    ptsopen,
    ptsclose,
    NULL,
    &pts_info,
    NULL
};

static struct qinit ptswint = {
    ptswput,
    ptswsrv,
    NULL,
    NULL,
    NULL,
}
```



```

    &pts_info,
    NULL
};

static struct streamtab ptsinfo = {
    &ptsrint,
    &ptswint,
    NULL,
    NULL
};

static int pts_identify(dev_info_t *devi);
static int pts_attach(dev_info_t *devi, ddi_attach_cmd_t cmd);
static int pts_detach(dev_info_t *devi, ddi_detach_cmd_t cmd);
static dev_info_t *pts_dip; /* private copy of devinfo ptr */

extern kmutex_t pt_lock;
extern pt_cnt;
static struct cb_ops cb_pts_ops = {
    nulldev, /* cb_open */
    nulldev, /* cb_close */
    nodev, /* cb_strategy */
    nodev, /* cb_print */
    nodev, /* cb_dump */
    nodev, /* cb_read */
    nodev, /* cb_write */
    nodev, /* cb_ioctl */
    nodev, /* cb_devmap */
    nodev, /* cb_mmap */
    nodev, /* cb_segmap */
    nochpoll, /* cb_chpoll */
    ddi_prop_op, /* cb_prop_op */
    &ptsinfo, /* cb_stream */
    D_MP /* cb_flag */
};

static struct dev_ops pts_ops = {
    DEVO_REV, /* devo_rev */
    0, /* devo_refcnt */
    pts_devinfo, /* devo_getinfo */
    pts_identify, /* devo_identify */
    nulldev, /* devo_probe */
    pts_attach, /* devo_attach */
    pts_detach, /* devo_detach */
    nodev, /* devo_reset */
    &cb_pts_ops, /* devo_cb_ops */
    (struct bus_ops*) NULL /* devo_bus_ops */
};

```

```
/*
 * Module linkage information for the kernel.
 */

static struct modldrv modldrv = {
    &mod_driverops, /* Type of module: a pseudo driver */
    "Slave Stream Pseudo Terminal driver'pts'",
    &pts_ops, /* driver ops */
};

static struct modlinkage modlinkage = {
    MODREV_1,
    (void *)&modldrv,
    NULL
};

int
_init(void)
{
    return (mod_install(&modlinkage));
}

int
_fini(void)
{
    return (mod_remove(&modlinkage));
}

int
_info(struct modinfo *modinfop)
{
    return (mod_info(&modlinkage, modinfop));
}

static int
pts_identify(dev_info_t *devi)
{
    if (strcmp(ddi_get_name(devi), "pts") == 0)
        return (DDI_IDENTIFIED);
    else
        return (DDI_NOT_IDENTIFIED);
}

static int
pts_attach(dev_info_t *devi, ddi_attach_cmd_t cmd)
{
    int i;
```

```
char name[5];

if (cmd != DDI_ATTACH)
    return (DDI_FAILURE);

for (i = 0; i < pt_cnt; i++) {
    (void) sprintf(name, "%d", i);
    if (ddi_create_minor_node(devi, name, S_IFCHR, i, NULL, 0)
        == DDI_FAILURE) {
        ddi_remove_minor_node(devi, NULL);
        return (DDI_FAILURE);
    }
}
return (DDI_SUCCESS);
}

static int
pts_detach(dev_info_t *devi, ddi_detach_cmd_t cmd)
{
    ddi_remove_minor_node(devi, NULL);
    return (DDI_SUCCESS);
}

static int
pts_devinfo (dev_info_t *dip, ddi_info_cmd_t infocmd, void *arg,
             void **result)
{
    int error;

    switch (infocmd) {
        case DDI_INFO_DEVT2DEVINFO:
            if (pts_dip == NULL) {
                error = DDI_FAILURE;
            } else {
                *result = (void *) pts_dip;
                error = DDI_SUCCESS;
            }
            break;
        case DDI_INFO_DEVT2INSTANCE:
            *result = (void *) 0;
            error = DDI_SUCCESS;
            break;
        default:
            error = DDI_FAILURE;
    }
    return (error);
}
```

```
/* the open, close, wput, rsrv, and wsrv routines are presented
 * here solely for the sake of showing how they interact with the
 * configuration data structures and routines. Therefore, the
 * bulk of their code is not included.
 */
static int
ptsopen(rqp, devp, oflag, sflag, credp)
    queue_t *rqp; /* pointer to the read side queue */
    dev_t *devp; /* pointer to stream tail's dev */
    int oflag; /* the user open(2) supplied flags */
    int sflag; /* open state flag */
    cred_t *credp; /* credentials */
{
    qprocson(rqp);
    return (0);
}

static int
ptsclose(rqp, flag, credp)
    queue_t *rqp;
    int flag;
    cred_t *credp;
{
    qprocsoff(rqp);
    return (0);
}

static int
ptswput(qp, mp)
    queue_t *qp;
    mblk_t *mp;
{
    return (0);
}

static int
ptsrsv(qp)
    queue_t *qp;
{
    return (0);
}

static int
ptswsrv(qp)
    queue_t *qp;
{
    return (0);
}
```

## STREAMS Module Configuration

The following example shows the structures you need if you are working with a module instead of a driver. Notice that a `modlstrmod(9S)` is used in `modlinkage(9S)`, and `fmodsw(9S)` points to `streamtab(9S)` instead of going through `dev_ops(9S)`.

### EXAMPLE 56 Module Structures

```
extern struct streamtab pteminfo;

static struct fmodsw fsw = {
    "ptem",
    &pteminfo,
    D_NEW | D_MP
};

/*
 * Module linkage information for the kernel.
 */
extern struct mod_ops mod_strmodops;

static struct modlstrmod modlstrmod = {
    &mod_strmodops,
    "pty hardware emulator",
    &fsw
};

static struct modlinkage modlinkage = {
    MODREV_1,
    (void *)&modlstrmod,
    NULL
};
```

## Driver Compilation Lines

The following are some compile, assemble, and link lines for an example driver with two C source files (`example_one.c` and `example_two.c`) and an assembly language source file (`example_asm.s`).

```
cc -D_KERNEL -c example_one.c
cc -D_KERNEL -c example_two.c
as -P -D_ASM -D_KERNEL -I. -o example_asm.o example_asm.s
```

```
ld -r -o example example_one.o example_two.o example_asm.o
```

## Kernel Loading

See [Writing Device Drivers for Oracle Solaris 11.3](#) for more information on the sequence of installing and loading device drivers. The basic procedure is to copy your driver to `/kernel/drv` and your module to `/kernel/strmod`. For drivers run `add_drv(1M)`.

---

**Note** - The `autoload` facility looks for modules to reside in `/kernel/strmod`. If the object resides elsewhere the module will not be loaded.

---

## Checking the Module Type

The following is sample code that enables a driver to determine if it is running as a regular driver, a module, or a cloneable driver. The open routine returns `sflag`, which is checked.

```
if (sflag == MODOPEN)
    /* then the module is being pushed */
else if (sflag == CLONEOPEN)
    /* then its being opened as a cloneable driver */
else
    /* its being opened as a regular driver */
```

## Tunable Parameters

Certain system parameters referred to by STREAMS are configurable when building a new operating system (see the file `/etc/system` and the [“STREAMS Parameters” in Oracle Solaris 11.3 Tunable Parameters Reference Manual](#) for further details). These parameters are:

<code>nstrpush</code>	Maximum number (should be at least 8) of modules that can be pushed onto a single stream.
<code>strmsgsz</code>	Maximum number of bytes of information that a single system call can pass to a stream to be placed into the data part of a message (in <code>M_DATA</code> blocks). Any <code>write(2)</code> exceeding this size is broken into multiple

messages. A `putmsg(2)` with a data part exceeding this size fails with `ERANGE`. If `STRMSGSZ` is set to 0, the number of bytes passed to a stream is infinite.

`strctlsz`

Maximum number of bytes of information that a single system call can pass to a stream to be placed into the control part of a message (in an `M_PROTO` or `M_PCPROTO` block). A `putmsg(2)` with a control part that exceeds this size fails with `ERANGE`.

## STREAMS Administrative Driver

The `autopush(1M)` facility configures the list of modules for a STREAMS device. It automatically pushes a prespecified list (`/etc/iu.ap`) of modules onto the stream when the STREAMS device is opened and the device is not already open.

The STREAMS Administrative Driver (SAD) (see the `sad(7D)` man page) provides an interface to the autopush mechanism. System administrators can open the SAD driver and set or get autopush information on other drivers. The SAD driver caches the list of modules to push for each driver. When the driver is opened the stream head checks the SAD's cache to determine if the device is configured to have modules pushed automatically. If an entry is found, the modules are pushed. If the device has been opened but not closed, another open does not cause the list of the prespecified modules to be pushed again.

Three options configure the module list:

- Configure for each minor device (that is, a specific major and minor device number)
- Configure for a range of minor devices within a major device
- Configure for all minor devices within a major device

In addition, when configuring the module list, an optional anchor can be placed within the module list. See “[STREAMS Anchors](#)” on page 258 for more information.

When the module list is cleared, a range of minor devices has to be cleared as a range and not in parts.

## Application Interface

The SAD driver is accessed through the `/dev/sad/admin` or `/dev/sad/user` node. After the device is initialized, a program can perform any autopush configuration. The program should

open the SAD driver, read a configuration file to find out what modules need to be configured for which devices, format the information into `strpush` structures, and make the `SAD_SAP ioctl(2)` calls. See the [sad\(7D\)](#) man page for more information.

All autopush operations are performed through `SAD_SAP ioctl(2)` commands to set or get autopush information. Only the root user can set autopush information, but any user can get the autopush information for a device.

The `SAD_SAP ioctl` is a form of `ioctl(fd, cmd, arg)`, where `fd` is the file descriptor of the SAD driver, `cmd` is either `SAD_SAP` (set autopush information) or `SAD_GAP` (get autopush information), and `arg` is a pointer to the structure `strpush`.

The `strpush` structure is shown in the following example:

**EXAMPLE 57** `strpush` Structure

```
/*
 * maximum number of modules that can be pushed on a
 * stream using the autopush feature should be no greater
 * than nstrpush
 */
#define MAXAPUSH 8

/* autopush information common to user and kernel */

struct apcommon {
    uint    apc_cmd;           /* command - see below */
    major_t apc_major;        /* major device number */
    minor_t apc_minor;        /* minor device number */
    minor_t apc_lastminor;    /* last minor dev # for range */
    uint    apc_npush;        /* number of modules to push */
};

/* ap_cmd - various options of autopush */
#define SAP_CLEAR    0 /* remove configuration list */
#define SAP_ONE      1 /* configure one minor device */
#define SAP_RANGE    2 /* config range of minor devices */
#define SAP_ALL      3 /* configure all minor devices */

/* format of autopush ioctls */
struct strpush {
    struct apcommon sap_common;
    char sap_list[MAXAPUSH] [FMNAMESZ + 1]; /* module list */
};

#define sap_cmd      sap_common.apc_cmd
```



```
#define sap_major      sap_common.apc_major
#define sap_minor      sap_common.apc_minor
#define sap_lastminor  sap_common.apc_lastminor
#define sap_npush      sap_common.apc_npush
```

A device is identified by its major device number, `sap_major`. The `SAD_SAP ioctl(2)` has the following options:

<code>SAP_ONE</code>	Configures a single minor device, <code>sap_minor</code> , of a driver
<code>SAP_RANGE</code>	Configures a range of minor devices from <code>sap_minor</code> to <code>sap_lastminor</code> , inclusive
<code>SAP_ALL</code>	Configures all minor devices of a device
<code>SAP_CLEAR</code>	Clears the previous settings by removing the entry with the matching <code>sap_major</code> and <code>sap_minor</code> fields

The list of modules is specified as a list of module names in `sap_list`. `MAXAPUSH` defines the maximum number of modules to push automatically.

A user can query the current configuration status of a given major/minor device by issuing the `SAD_GAP ioctl(2)` with `sap_major` and `sap_minor` values of the device set. On successful return from this system call, the `strpush` structure is filled in with the corresponding information for the device. The maximum number of entries that the SAD driver can cache is determined by the tunable parameter `NAUTOPUSH` which is found in the SAD driver's master file.

The following is an example of an autopush configuration file in `/etc/iu.ap`:

```
# major      minor      lastminor      modules
wc           0           0              ldterm ttcompat
zs           0           1              ldterm ttcompat
ptsl        0           15             ldterm ttcompat
```

The first line configures a single minor device whose major name is `wc`. Minor numbers start and end at 0, creating only one minor number. The modules automatically pushed are `ldterm` and `ttcompat`. The second line configures the `zs` driver whose minor device numbers are 0 and 1, and automatically pushes the same modules. The last line configures the `ptsl` driver whose minor device numbers are from 0 to 15, and automatically pushes the same modules.

## STREAMS Anchors

An anchor is a lock that prevents the removal of a STREAMS module with an `I_POP` call. You place an anchor in a stream on the module you want to lock. All modules at or below the anchor are locked, and can only be popped by a privileged process.

prevents the removal of a STREAMS module with an `I_POP` call. You place an anchor in a stream on the module you want to lock. All modules at or below the anchor are locked, and can only be popped by a *privileged* process.

## Anchors and Data Flow

---

**Note - Hardening Information.** Anchors do not affect the flow of data in the stream or any other properties of the stream other than to lock down its plumbing. Any process can place an anchor on a stream, but once placed, it can only be removed by a privileged process.

---

An anchor is a per-stream entity; that is, there is exactly one per stream, and the anchor is moved upstream or downstream as needed. When a stream is created, the anchor is conceptually at the driver and therefore has no effect on the stream. By issuing the `I_ANCHOR ioctl` on a stream, a process places the anchor at the STREAMS module directly below the stream head. This means that a process can move an existing anchor upstream by pushing additional STREAMS modules and calling `I_ANCHOR` again.

Although anchors conceptually exist at a specific location in the stream, they are not a data processing element and therefore do not physically exist in the stream (for example, you will not find them parsing `q_next` pointers.) This means that anchors will not appear in `ioctl`s such as `I_LOOK`, and they are not included in the module count on the stream.

To remove an anchor, a process pops the module at which the anchor was placed. The anchor will only allow a privileged process to pop modules at or below it, which provides security. Once an anchor has been removed, the anchor is not reset to its previous location in the stream, but rather positioned at the STREAMS driver again. When an unprivileged process attempts to pop an anchored module, the `ioctl` returns with `EPERM`.

The `I_ANCHOR ioctl` is processed completely in the stream head, and is never sent downstream. If a module or driver sends an `I_ANCHOR` to the stream head, the anchor is silently discarded.

## Using Anchors

An anchor can be placed on a STREAMS module by adding an `[anchor]` flag to an autopush configuration file or by directly calling the `I_ANCHOR` `ioctl`.

For example, this configuration file specifies that autopush should place an anchor between `foo` and `babar` in the `bb` stream:

```
# major      minor      lastminor    modules
aa           0           0            foo babar
bb           0           1            foo [anchor] babar
bb           131072    131073       foo [anchor] babar
```

The following two examples illustrate the use of anchors in a client-server setting in which file descriptors are being passed. They call the `I_ANCHOR` `ioctl` directly.

In this example, the server program, `fd_server.c`, opens a stream, pushes modules on to it, and places an anchor on `rmod`. The client program, `fd_client.c` attempts to pop modules, but can only pop `rmod` or any modules below it if the client is run as root. That is, if the client is run as non-root, the `I_POP` fails.

This example also shows that once the module with the anchor on it is popped by the privileged root process, the anchor is destroyed (technically, it is moved back to the driver, where it has no effect). Subsequent attempts by the client to pop modules will succeed, even if the client is run as non-root.

Finally, this example also illustrates the effect of passing file descriptors, rather than copying modules or the stream as a whole. Specifically, because the stream is not duplicated, all clients operate on the same stream. In this case, running the client repeatedly causes it to work down the list of modules, popping each one off in turn, until all modules have been removed from the stream.

### EXAMPLE 58 STREAMS Anchors `fd_server.c`

```
#include <sys/types.h>
#include <sys/socket.h>
#include <netinet/in.h>
#include <fcntl.h>
#include <stdio.h>
#include <stropts.h>
#include <sys/conf.h>
#include <sys/stat.h>
#include <unistd.h>
```

```
#include <stdlib.h>

#define SPIPE_PATH "/tmp/mypipe"

int
main(void)
{
    int    pipefd[2];
    struct strrecvfd strrecvfd;
    int    streamfd;

    /*
     * Open a stream to hand back to the client.  Since this
     * is just an example, we don't really care what we open;
     * make a rlm0d<->udp<->ip stream.  Stick an anchor above
     * rlm0d so the client cannot I_POP rlm0d unless it's root.
     */
    streamfd = open("/dev/udp", O_RDWR);
    if (streamfd == -1) {
        perror("open");
        return (EXIT_FAILURE);
    }

    if (ioctl(streamfd, I_PUSH, "rlm0d") == -1) {
        perror("ioctl (I_PUSH) rlm0d");
        return (EXIT_FAILURE);
    }

    if (ioctl(streamfd, I_ANCHOR, 0) == -1) {
        perror("ioctl (I_ANCHOR)");
        return (EXIT_FAILURE);
    }

    /*
     * Open ourselves for business by making a mounted stream.
     */
    if (pipe(pipefd) == -1) {
        perror("pipe");
        return (EXIT_FAILURE);
    }

    if (ioctl(pipefd[1], I_PUSH, "connld") == -1) {
        perror("ioctl (I_PUSH) connld");
        return (EXIT_FAILURE);
    }

    (void) umask(0);
    (void) close(creat(SPIPE_PATH, 0666));
}
```

```

if (fattach(pipefd[1], SPIPE_PATH) == -1) {
    perror("fattach");
    return (EXIT_FAILURE);
}

/*
 * Accept clients (iterative server)
 */
for (;;) {

    if (ioctl(pipefd[0], I_RECVFD, &strrecvfd) == -1) {
        perror("ioctl (I_RECVFD)");
        return (EXIT_FAILURE);
    }

    /*
     * Send the STREAMS descriptor back to the client.
     */
    if (ioctl(strrecvfd.fd, I_SENDFD, streamfd) == -1) {
        perror("ioctl (I_SENDFD)");
        return (EXIT_FAILURE);
    }
}
}
}

```

**EXAMPLE 59** STREAMS Anchors `fd_client.c`

```

#include <sys/types.h>
#include <sys/socket.h>
#include <netinet/in.h>
#include <fcntl.h>
#include <stdio.h>
#include <stropts.h>
#include <sys/conf.h>
#include <unistd.h>
#include <stdlib.h>

#define SPIPE_PATH "/tmp/mypipe"

int
main(void)
{
    int    serverfd;
    struct strrecvfd strrecvfd;

    /*

```

```
    * Open a connection to the server.
    */
serverfd = open(SPIPE_PATH, O_RDWR);
if (serverfd == -1) {
    perror("open");
    return (EXIT_FAILURE);
}

/*
 * Receive the STREAMS descriptor from the server.
 */
if (ioctl(serverfd, I_RECVFD, &strrecvfd) == -1) {
    perror("ioctl (I_RECVFD)");
    return (EXIT_FAILURE);
}

(void) printf("received the STREAMS descriptor; attempting to pop "
             "the top module\n");

/*
 * Try to remove the top module from the stream.
 */
if (ioctl(strrecvfd.fd, I_POP, 0) == -1)
    perror("ioctl (I_POP)");

(void) printf("modules on the stream: ");
(void) fflush(stdout);

/*
 * Print out what the stream currently looks like.
 */
(void) dup2(strrecvfd.fd, 0);
(void) system("strconf | paste -s -d' ' -");

return (EXIT_SUCCESS);
}
```

## Multithreaded STREAMS

---

This chapter describes how to write a multithreaded STREAMS driver or module. It covers the necessary conversion topics so that new and existing STREAMS modules and drivers run in the multithreaded kernel. It describes STREAMS-specific multithreading issues and techniques. For general information, see [Writing Device Drivers for Oracle Solaris 11.3](#).

This chapter contains the following information:

- “Multithreaded (MT) STREAMS Overview” on page 263
- “MT STREAMS Framework” on page 265
- “MT STREAMS Perimeters” on page 266
- “MT SAFE Modules and Drivers” on page 271
- “Routines Used Inside a Perimeter” on page 273
- “MT SAFE Modules Using Explicit Locks” on page 276
- “Preparing to Port” on page 278
- “Sample Multithreaded Device Driver Using a Per Module Inner Perimeter” on page 279
- “Sample Multithreaded Module With Outer Perimeter” on page 287

### Multithreaded (MT) STREAMS Overview

The Oracle Solaris operating system is fully multithreaded, which means that it can make effective use of the available parallelism of a symmetric shared-memory multiprocessor computer. All kernel subsystems are multithreaded: scheduler, virtual memory, file systems, block/character/STREAMS I/O, networking protocols, and device drivers.

MT STREAMS requires you to use some different concepts and terminology. These concepts apply not only to STREAMS drivers, but to all device drivers in the Oracle Solaris operating environment. For a more complete description of these terms, see [Writing Device Drivers for Oracle Solaris 11.3](#). Additionally, see [Chapter 1, “Overview of STREAMS”](#) of this guide for definitions and [Chapter 8, “STREAMS Kernel-Level Mechanisms”](#) for elements of MT drivers.

Some of the multithreaded terms and ideas are.

Thread	Sequence of instructions executed within context of a process.
Lock	Mechanism to restrict access to data structures.
Single Threaded	Restricting access to a single thread.
Multithreaded	Allowing two or more threads access to a data element.
Multiprocessing	Two or more CPUs concurrently executing the Operating System.
Concurrency	Simultaneous execution.
Preemption	Suspending execution for the next thread to run.
Monitor	Portion of code that is single-threaded.
Mutual Exclusion	Exclusive access to a data element by a single thread at one time.
Condition Variables	Kernel event synchronization primitives.
Counting Semaphores	Memory-based synchronization mechanism.
Readers/Writer Locks	Data lock allowing one writer or many readers at one time.
Callback	On occurrence of a specific event, call a module function.
Synchronous Access	Only one thread is allowed in the perimeter. Upon return from a call the action is complete; when the thread is done, the job is done.
Asynchronous Access	Multiple threads are allowed in the perimeter. Upon return from a call there is no guarantee that the job is complete.
Perimeter Claim	A thread has synchronous access in the perimeter. The claim prevents subsequent synchronous access until the claim is released.
Exclusive Access	Calling a synchronous entry point in the perimeter.
Writer	A thread that has exclusive access to a perimeter.



## MT STREAMS Framework

The STREAMS framework consists of the stream head, documented STREAMS data structures (such as `queue_t`, `mblk_t`) and STREAMS utility routines including STREAMS facilities documented in the Device Driver Interface (DDI). The STREAMS framework enables multiple kernel threads to concurrently enter and execute code defined by each module, including the `open`, `close`, `put`, and `service` procedures of each queue within the system.

The first goal of the Oracle Solaris system is to preserve the interface and flavor of STREAMS and to shield module code as much as possible from the impact of migrating to the multithreaded kernel. Most of the locking is hidden from the programmer and performed by the STREAMS kernel framework. As long as module code uses the standard, documented programmatic interfaces to shared kernel data structures (such as `queue_t`, `mblk_t`, and `dbl_k_t`), and adheres to the DDI/DKI, the user does not have to explicitly lock these framework data structures.

The second goal is to make writing MT SAFE modules simple. One of the ways that the framework accomplishes this is by using the MT STREAMS perimeter mechanisms for controlling and restricting concurrent access to a STREAMS module. STREAMS perimeters allow the module writer to select the level of concurrency that a module can tolerate.

## STREAMS Framework Integrity

The STREAMS framework ensures the integrity of the STREAMS data structures, such as `queue_t`, `mblk_t`, and `dbl_k_t` as long as the module conforms to the DDI/DKI, and does not directly access global operating system data structures or facilities not described in the DDI/DKI.

The `q_next` fields of the `queue_t` structure are not modified by the framework while a thread is actively executing within a synchronous entry point. However the `q_next` field might change while a thread is executing within an asynchronous entry point.

The `q_ptr` field is considered private to the module and the framework will not manipulate its value. When making a module MT Safe, the integrity of the module-private data structures must be ensured by the module itself. This integrity can be guaranteed by creating private locks, or by the control of concurrency within the module by the use of STREAMS perimeters. Knowing what the framework supports is critical in deciding what the module writer must provide.

---

**Note - Hardening Information.** As in previous operating environment releases, a module must not call another module's `put` or `service` procedures directly. The DDI/DKI routines `putnext(9F)`, `put(9F)`, and other routines in Section 9F must be used to pass a message to another queue. Calling another module's routines directly circumvents the design of the MT STREAMS framework and can yield unknown results.

---

---

**Note - Hardening Information.** Once a message is passed using a `putq`, `put`, `putnext`, as well as the perimeter function `qwriter`, it cannot be accessed again because the use of this message has been given to the new routine. If a reference needs to be retained by the module, it should copy it by using `copyb`, `copymsg`, `dupb`, or `dupmsg`.

---

## Message Ordering

The STREAMS framework guarantees the ordering of messages along a stream if all the modules in the stream preserve message ordering internally. This ordering guarantee only applies to messages that are sent along the same stream and produced by the same source.

The STREAMS framework does not guarantee that a message has been seen by the next `put` procedure when the call to `putnext(9F)` or `qreply(9F)` returns.

## MT STREAMS Perimeters

STREAMS uses a facility known as *perimeters* for handling thread concurrency in STREAMS modules. Perimeters allow the module writer to select conditions that will result in exclusive access to a queue, a pair of queues, or all the queues in a module. This makes multithreading issues easier to work with in STREAMS.

Perimeters work somewhat like reader/writer locks, where there can be many readers, but only one writer. A *synchronous access* to the perimeter is similar to holding the writer lock, in that only one thread can be in the perimeter at a time. Synchronous entry will hold a perimeter exclusively until the thread eventually unwinds out of the perimeter (usually when it returns from a `put/putnext` or a `qwriter` call that initially invoked the synchronous behavior). While a thread has synchronous access to the perimeter, all other access (synchronous or asynchronous) will be deferred.

An *asynchronous access* is similar to the reader lock, where many threads can be in the perimeter at a time, including the possible recursive entry of a thread previously entering the perimeter. The asynchronous "claim" is not released until the thread winds out of the

put/putnext. Because asynchronous access is similar to the reader lock, any synchronous access will be deferred or blocked until all asynchronous claims are released.



**Caution - Hardening Information.** The perimeter data is private to the STREAMS framework, and should not be modified by the module itself.

STREAMS enables the definition of two synchronous perimeters. One is an inner perimeter, and is used to define synchronous entry points on a queue or a queue pair (the read and write queue's for a specific module instance). It also identifies an outer perimeter, which is made up of all the inner perimeters for all the queues for a specific module.

There is also a special inner perimeter, PERMOD, that is similar to the outer perimeter, but does not have the overhead of the outer perimeter. PERMOD identifies a single synchronous entry point for all queues for this module. Because PERMOD is like a hybrid of an inner perimeter and outer perimeter, the PERMOD perimeter cannot have an outer perimeter.

## Inner Perimeters

For the most part, the module writer does not need to specify an inner perimeter, as the STREAMS framework automatically creates it for the module. What needs to be specified is the type of perimeter, and the concurrency of the perimeter.

Inner perimeters come in two types:

D_PERQ	Enables synchronous entry to be different between the read queue and the write queue. Therefore, if a synchronous putnext is occurring on the read queue, a synchronous or asynchronous putnext can occur on the write queue (or other (a)synchronous access on the write queue).
D_QPAIR	Protects both the read queue and the write queue, so synchronous access to one queue will prevent synchronous or asynchronous access to the other queue.

Another perimeter, D\_PERMOD is slightly different, and is discussed in [“PERMOD Perimeter” on page 268](#).

An inner perimeter becomes exclusive (writer) whenever an inner synchronous entry point is encountered. By default all the entry points are considered to be synchronous until enabled as "shared" entry points. As previously stated, synchronous entry points remain exclusive until the thread returns to the caller of the synchronous entry point. If the synchronous function calls putnext, the perimeter remains exclusive across the putnext, up till the synchronous function can return to its caller, and subsequent entries into the perimeter will be deferred.

Inner perimeters can specify additional concurrency on the STREAMS entry points for `open/close`, `put/putnext`, `service`, and `callbacks` as shown in [Table 18, “Modify Exclusive/Shared Access Flags,” on page 271](#).

## Outer Perimeters

The module writer can also specify an outer perimeter. An outer perimeter is the linked list of all inner perimeters for all queues associated with the specified module. Entering the outer perimeter is equivalent to entering each of the inner perimeters. As this can also be an expensive operation, the outer perimeter is *only* entered synchronously, and upon successful completion of a `qwriter(PERIM_OUTER)` makes the outer perimeter exclusive. This also has the effect of making each of the inner perimeters exclusive.

Use of outer perimeters is reserved for module data that has an effect on all queue instances of the module, such as module state that might allow messages to pass between other instances of the module, information that allows a driver to configure shared hardware, or at `open/close` time when information is needed for all open instances for a module.

Outer perimeters, at this time, have only one concurrency modifier. This is `D_MTOCEXCL`, and instructs the framework to enter the outer perimeter on each `open` and `close` of queues for the module.

## PERMOD Perimeter

The PERMOD perimeter is a hybrid of the inner and outer perimeter. It is implemented primarily for modules that might have a large number of queue instances, and cannot afford the latency for entering the outer perimeter. Because it is a hybrid, PERMOD perimeters cannot have an outer perimeter, and modules that have `D_MTPERMOD` and `D_MTOUTPERIM` defined will fail at `open`. As PERMOD perimeters are implemented as inner perimeters, they share all the concurrency states as the inner perimeter, see [Table 16, “Inner Perimeter Flags,” on page 270](#).

## Hot Perimeters

All STREAMS modules and drivers in the Oracle Solaris operating environment must be `D_MTSAFE`, and must account for multithreading. Specifying an inner and/or outer perimeter will handle concurrency issues that the module writer may encounter while developing the module or driver. Experienced STREAMS programmers might decide that the perimeter should not

have any synchronous entry points, and should run fully hot. To define a fully-hot perimeter, the module writer need only specify the `D_MTSAFE` flag without an inner perimeter type (`D_MTPERQ`, `D_MTQPAIR`, `D_MTPERMOD`) and without an outer perimeter (`D_MTOUTPERIM`).



**Caution - Hardening Information.** All STREAMS entry points run concurrently, and in a multiprocessor environment, there can be a put procedure running simultaneously with a service procedure or even a close procedure. So the writer must take precautions against kernel panics by making sure that other concurrent threads will not reference data the current thread is trying to change or remove.

## Defining Perimeter Types

To configure a module with perimeter types and concurrency types, use the `f_flag` field in `fmodsw(9s)` with `D_MTSAFE` or'd with the appropriate perimeter type flags. See [Table 15, “Choosing a Perimeter Type,” on page 269](#).

The easiest method is to initially implement your module and configure it to be per-module single threaded, and increase the level of concurrency as needed. [“Sample Multithreaded Device Driver Using a Per Module Inner Perimeter” on page 279](#) provides a complete example of using a per-module perimeter, and [“Sample Multithreaded Module With Outer Perimeter” on page 287](#) provides a complete example with a higher level of concurrency.

To configure a driver with perimeter and concurrency types, put `MT_SAFE` and the appropriate perimeter flags in the `cb_flag` field of the `cb_ops` structure for the driver.

## Choosing a Perimeter Type

[Table 15, “Choosing a Perimeter Type,” on page 269](#) summarizes examples of when to use an inner perimeter, or both an inner and outer perimeter for a STREAMS module.

**TABLE 15** Choosing a Perimeter Type

Module Description	Perimeter Type
A module where the put procedure reads as well as modifies module global data. Use a per-module inner perimeter on the single-threaded module.	inner
A module where all the module private data associated with a queue (or a read/write pair of queues) can be configured to be single-threaded. Use an inner perimeter for each corresponding queue (or queue pair) .	inner
A module where most of the module private data is associated with a queue (or a queue pair); but has some module global data that is mostly read. Use an inner perimeter for the queue (or	inner and outer

Module Description	Perimeter Type
queue pair) plus an outer perimeter for global data. Use <code>qwriter</code> to protect the sections where it modifies the module's global data (see <a href="#">“qwriter Function” on page 274</a> ).	
A module that requires higher concurrency for certain message types while not requiring message ordering. Use an inner perimeter for shared access to the put procedures. Use an outer perimeter for put procedures that require exclusive access. Use <code>qwriter</code> when messages are handled in the put procedures that require exclusive access (see <a href="#">“qwriter Function” on page 274</a> ).	inner and outer
A hardware driver can use an appropriate set of inner and outer perimeters to restrict the concurrency in the <code>open</code> , <code>close</code> , <code>put</code> , and <code>service</code> procedures. With explicit synchronization primitives ( <code>mutex</code> , condition variables, readers/writer, semaphore), these drivers restrict the concurrency when accessing the hardware registers in interrupt handlers. When designing such drivers, you need to be aware of the issues listed in <a href="#">“MT SAFE Modules Using Explicit Locks” on page 276</a> .	inner and outer

Several flags specify the inner and outer perimeters (see [Table 16, “Inner Perimeter Flags,” on page 270](#) and [Table 17, “Outer Perimeter Flag,” on page 270](#)). These flags fall into three categories:

- Define the presence and scope of the inner perimeter
- Define the presence of the outer perimeter (which can have only one scope)
- Modify the default concurrency for the different entry points

You configure the inner perimeter by choosing one of the mutually exclusive flags shown in [Table 16, “Inner Perimeter Flags,” on page 270](#).

**TABLE 16** Inner Perimeter Flags

Flag	Description
<code>D_MTPERMOD</code>	The module has an inner perimeter that encloses all the module's queues
<code>D_MTAPAIR</code>	The module has an inner perimeter around each read/write pair of queues
<code>D_MTPERQ</code>	The module has an inner perimeter around each queue
<code>none</code>	The module has no inner perimeter

Configure the outer perimeter using the flag shown in [Table 17, “Outer Perimeter Flag,” on page 270](#).

**TABLE 17** Outer Perimeter Flag

Flag	Description
<code>D_MTOUTEPERIM</code>	In addition to an inner perimeter (or none), the module has an outer perimeter that encloses all the module's queues. This can be combined with all the inner perimeter options except <code>D_MTPERMOD</code> .

By default all synchronous entry points enter the inner perimeter exclusively and enter the outer perimeter shared. To modify this behavior use the flags shown in [Table 18, “Modify Exclusive/Shared Access Flags,”](#) on page 271.

**TABLE 18** Modify Exclusive/Shared Access Flags

Flag	Description
D_MTOEXCL	open/close entry points are synchronous.
D_MTPUTSHARED	put/putnext entry points are asynchronous
_D_MTOCACHED	open/close entry points are asynchronous (experimental)
_D_MTCBACHED	callbacks (via qtimeout, qbufcall) are asynchronous (experimental)
_D_MTSVCACHED	service procedures are asynchronous (experimental)



**Caution - Hardening Information.** Concurrency flags designated with a preceding underbar "\_" are experimental, and their behavior might change in the future and should not be relied upon.

## MT SAFE Modules and Drivers

A module or a driver can be either MT SAFE or MT UNSAFE. A module or driver is MT SAFE when its data values are correct regardless of the order that multiple threads access and modify the data. For MT SAFE mode, use MT STREAMS perimeters to restrict the concurrency in a module or driver to:

- Per-module single threading
- Per queue-pair single threading
- Per queue single threading
- Per queue or per queue-pair single threading of the put and service procedures with per module single threading of the open and close routines
- Unrestricted concurrency in the put and service procedures with the ability to restrict the concurrency when handling messages that modify data
- Completely unrestricted concurrency

### MT SAFE Module

To configure a module as being MT SAFE, use the `f_flag` field in `fmodsw(9S)`.

The easiest method is to initially implement your module and configure it to be per-module single threaded, and increase the level of concurrency as needed. [“Sample Multithreaded Device Driver Using a Per Module Inner Perimeter” on page 279](#) provides a complete example of using a per-module perimeter, and [“Sample Multithreaded Module With Outer Perimeter” on page 287](#) provides a complete example with a higher level of concurrency.

MT SAFE modules can use different MT STREAMS perimeters to restrict the concurrency in the module to a concurrency that is natural given the data structures that the module contains, thereby removing the need for module private locks (see [“MT STREAMS Perimeters” on page 266](#) for information on perimeters). A module that requires unrestricted concurrency can be configured to have no perimeters. Such modules have to use explicit locking primitives to protect their data structures. While such modules can exploit the maximum level of concurrency allowed by the underlying hardware platform, they are more complex to develop and support. See [“MT SAFE Modules Using Explicit Locks” on page 276](#).

Independent of the perimeters, there will be at most one thread allowed within any given queue's service procedure.

Your MT SAFE modules should use perimeters and avoid using module private locks (mutex, condition variables, readers/writer, or semaphore). Should you opt to use module private locks, you need to read [“MT SAFE Modules Using Explicit Locks” on page 276](#) along with this section.

---

**Note** - MT UNSAFE mode for STREAMS modules was temporarily supported as an aid in porting SVR4 modules; however, MT UNSAFE is not supported after SVR4.

---

---

**Note** - Upper and lower multiplexors share the same perimeter type and concurrency level.

---

## MT SAFE Driver

To configure a driver as being MT SAFE, initialize the `cb_ops(9S)` and `dev_ops(9S)` data structures. This code must be in the header section of your module. For more information, see [Example 60, “Multithreaded, Loadable, STREAMS Pseudo-Driver,” on page 280](#), and `dev_ops(9S)`.

The driver is configured to be MT SAFE by setting the `cb_flag` to `D_MP`. It also specifies any MT STREAMS perimeters by setting flags in the `cb_flag` field. (See [`mt-streams\(9F\)`](#).)



## Routines Used Inside a Perimeter

This section describes the routines and data fields used after you enter a perimeter.

### qprocson/qprocsoff Routines

The routines [qprocson\(9F\)](#) and [qprocsoff\(9F\)](#) respectively enable and disable the `put` and `service` procedures of the queue pair. Before calling [qprocson\(9F\)](#) and after calling [qprocsoff\(9F\)](#), the module's `put` and `service` procedures are disabled; messages flow around the module as if it were not present in the stream.

Call [qprocson\(9F\)](#) in the first `open` of a module, but only after allocating and initializing any module resources on which the `put` and `service` procedures depend. Call the [qprocsoff](#) routine in the `close` routine of the module before deallocating any resources on which the `put` and `service` procedures depend.

---

**Note** - To avoid deadlocks, modules must not hold private locks across the calls to [qprocson\(9F\)](#) or [qprocsoff\(9F\)](#).

---

### qtimeout/qnbufcall Routines

The [timeout\(9F\)](#) and [bufcall\(9F\)](#) callbacks are asynchronous. For a module using MT STREAMS perimeters, the [timeout\(9F\)](#) and [bufcall\(9F\)](#) callback functions execute outside the scope of the perimeters. This makes synchronization of callbacks with the rest of the module complex.

To make [timeout\(9F\)](#) and [bufcall\(9F\)](#) functionality easier to use for modules with perimeters, there are additional interfaces that use synchronous callbacks. These routines are [qtimeout\(9F\)](#), [qntimeout\(9F\)](#), [qbufcall\(9F\)](#), and [qnbufcall\(9F\)](#). When using these routines, the callback functions are executed inside the perimeters, and hence have the same concurrency restrictions as the `put` and `service` procedures.

## qwriter Function

Modules can use the [qwriter\(9F\)](#) function to upgrade from shared to exclusive access at a perimeter. For example, a module with an outer perimeter can use [qwriter\(9F\)](#) in the `put` procedure to upgrade to exclusive access at the outer perimeter. A module where the `put` procedure runs with shared access at the inner perimeter (`D_MTPUTSHARED`) can use [qwriter\(9F\)](#) in the `put` procedure to upgrade to exclusive access at the inner perimeter.

Returning from a `qwriter` call does not mean that the `callback` function has executed. If the framework can become exclusive in the `qwriter` call, it will enter the perimeter synchronously, and execute the `callback`. If it cannot, the `callback` will be deferred. It is a good idea for any caller of `qwriter` to immediately return to its caller as there is little that can be accomplished in this thread of execution.



---

**Caution - Hardening Information.** Do not call `qwriter` with another queue, as `qwriter` assumes that the caller has already made a claim to the perimeter that the queue is associated with (asynchronous entry), and calling another perimeter will cause problems.

---

---

**Note - [qwriter\(9F\)](#)** cannot be used in the `open` or `close` procedures. If a module needs exclusive access at the outer perimeter in the `open` and/or `close` procedures, it has to specify that the outer perimeter should always be entered exclusively for `open` and `close` (using `D_MTOEXCL`).

---

The STREAMS framework guarantees that all deferred [qwriter\(9F\)](#) callbacks associated with a queue have executed before the module's `close` routine is called for that queue.

For an example of a driver using [qwriter\(9F\)](#) see [Example 61, “Multithread Module with Outer Perimeter,”](#) on page 288.

## qwait Function

A module that uses perimeters and must wait in its `open` or `close` procedure for a message from another STREAMS module has to wait outside the perimeters; otherwise, the message would never be allowed to enter its `put` and `service` procedures. This is accomplished by using the [qwait\(9F\)](#) interface. See [qwriter\(9F\)](#) man page for an example. For information about signal reception during a `close`, see [“close Routine”](#) on page 120.

## Asynchronous Callback Functions

Interrupt handlers and other asynchronous callback functions require special care by the module writer, because they can execute asynchronously to threads executing within the module `open`, `close`, `put`, and `service` procedures.

For modules using perimeters, use `qtimeout(9F)` and `qbufcall(9F)` instead of `timeout(9F)` and `bufcall(9F)`. The `qtimeout` and `qbufcall` callbacks are synchronous and consequently introduce no special synchronization requirements.

Because a thread can enter the module at any time, you must ensure that the asynchronous callback function acquires the proper private locks before accessing private module data structures, and releases these locks before returning. You must cancel any outstanding registered callback routines before the data structures on which the callback routines depend are deallocated and the module closed.

- For hardware device interrupts, this involves disabling the device interrupts.
- Outstanding callbacks from `timeout(9F)` and `bufcall(9F)` must be canceled by calling `untimeout(9F)` and `unbufcall(9F)`.

The module cannot hold certain private locks across calls to `untimeout(9F)` or `unbufcall(9F)`. These locks are those that the module's `timeout(9F)` or `bufcall(9F)` callback functions acquire. See “MT SAFE Modules Using Explicit Locks” on page 276.

- If outstanding callbacks from `esballoc(9F)` are associated with a particular stream, they must be allowed to complete before the module `close` routine deallocates the private data structures on which they depend.

## `close()` Race Conditions

Because the callback functions are by nature asynchronous, they can be executing or about to execute at the time the module `close` routine is called. You must cancel all outstanding callback and interrupt conditions before deallocating those data structures or returning from the `close` routine.

The callback functions scheduled with `timeout(9F)` and `bufcall(9F)` are guaranteed to have been canceled by the time `untimeout(9F)` and `unbufcall(9F)` return. The same is true for `qtimeout(9F)` and `qbufcall(9F)` by the time `quntimeout(9F)` and `qunbufcall(9F)` return. You must also take responsibility for other asynchronous routines, including `esballoc(9F)` callbacks and hardware, as well as software interrupts.

## Unloading a Module that Uses `esballoc`

The STREAMS framework prevents a module or driver text from being unloaded while there are open instances of the module or driver. If a module does not cancel all callbacks in the last `close` routine, it should not be allowed to be unloaded.

This is an issue mainly for modules and drivers using `esballoc` because `esballoc` callbacks cannot be canceled. Thus, modules and drivers using `esballoc` have to be prepared to handle calls to the `esballoc` callback free function after the last instance of the module or driver has been closed.

Modules and drivers can maintain a semaphore count of outstanding callbacks. They can deny an unload by making the `_fini(9E)` routine return `EBUSY` if there are outstanding callbacks.

## Use of the `q_next` Field

The `q_next` field in the `queue_t` structure can be referenced in `open`, `close`, `put`, and `service` procedures as well as the synchronous callback procedures (scheduled with `qtimeout(9F)`, `qbufcall(9F)`, and `qwriter(9F)`). However, the value in the `q_next` field should not be trusted. It is relevant to the STREAMS framework, but may not be relevant to a specific module.

All other module code, such as interrupt routines, `timeout(9F)` and `esballoc(9F)` callback routines, cannot dereference `q_next`. Those routines have to use the "next" version of all functions. For example, use `canputnext(9F)` instead of dereferencing `q_next` and using `canput(9F)`.

## MT SAFE Modules Using Explicit Locks

Although the result is not reliable, you can use explicit locks either instead of perimeters or to augment the concurrency restrictions provided by the perimeters.



---

**Caution** - Explicit locks cannot be used to preserve message ordering in a module because of the risk of re-entering the module. Use MT STREAMS perimeters to preserve message ordering.

---

All four types of kernel synchronization primitives are available to the module writer: mutexes, readers/writer locks, semaphores, and condition variables. Because `cv_wait` implies a context switch, it can only be called from the module's `open` and `close` procedures, which are executed with valid process context. You must use the synchronization primitives to protect accesses and ensure the integrity of private module data structures.

## Constraints When Using Locks

When adding locks in a module, observe these constraints:

- Avoid holding module private locks across calls to `putnext(9F)`. The module might be re-entered by the same thread that called `putnext(9F)`, causing the module to try to acquire a lock that it already holds. This can cause kernel panic.
- Do not hold module private locks, acquired in `put` or `service` procedures, across the calls to `qprocson(9F)` or `qprocoff(9F)`. Doing this causes deadlock, since `qprocson(9F)` and `qprocoff(9F)` wait until all threads leave the inner perimeter.
- Similarly, do not hold locks, acquired in the `timeout(9F)` and `bufcall(9F)` callback procedures, across the calls to `untimeout(9F)` or `unbufcall(9F)`. Doing this causes deadlock, because `untimeout(9F)` and `unbufcall(9F)` wait until an already executing callback has completed.

The first restriction deters using module private locks to preserve message ordering. The preferred mechanism is to use MT STREAMS perimeters to preserve message ordering.

## Preserving Message Ordering

Module private locks cannot be used to preserve message ordering because they cannot be held across calls to `putnext(9F)` and the other messages that pass routines to other modules. The alternatives for preserving message ordering are:

- Use MT STREAMS perimeters.
- Pass all messages through the `service` procedures. The `service` procedure can drop the locks before calling `putnext(9F)` or `qreply(9F)`, without reordering messages, because the framework guarantees that at most, one thread will execute in the `service` procedure for a given queue.

Use perimeters to avoid the performance penalty for using `service` procedures.

## Preparing to Port

When modifying a STREAMS driver to take advantage of the multithreaded kernel, a level of MT safety is selected according to:

- The desired degree of concurrency
- The natural concurrency of the underlying module
- The amount of effort or complexity required

Much of the effort in conversion is simply determining the appropriate degree of data sharing and the corresponding granularity of locking (see [Table 15, “Choosing a Perimeter Type,” on page 269](#)). The actual time spent configuring perimeters and/or installing locks should be much smaller than the time spent in analysis.

To port your module, you must understand the data structures used within your module, as well as the accesses to those data structures. You must fully understand the relationship between all portions of the module and private data within that module, and to use the MT STREAMS perimeters (or the synchronization primitives available) to maintain the integrity of these private data structures.

You must explicitly restrict access to private module data structures as appropriate to ensure the integrity of these data structures. You must use the MT STREAMS perimeters to restrict the concurrency in the module so that the parts of the module that modify private data are single-threaded with respect to the parts of the module that read the same data. (For more information about perimeters, see [“MT STREAMS Perimeters” on page 266](#).) Besides perimeters, you can use the synchronization primitives available (mutex, condition variables, readers/writer, semaphore) to explicitly restrict access to module private data appropriate for the operations within the module on that data.

The first step in multithreading a module or driver is to analyze the module, breaking the entire module up into a list of individual operations and the private data structures referenced in each operation. Part of this first step is deciding upon a level of concurrency for the module. Ask yourself which of these operations can be multithreaded and which must be single-threaded. Try to find a level of concurrency that is "natural" for the module and matches one of the available perimeters (or, alternatively, requires the minimal number of locks), and has a simple and straightforward implementation. Avoid additional unnecessary complexity.

Typical questions to ask are:

- What data structures are maintained within the module?
- What types of accesses are made to each field of these data structures?
- When is each data structure accessed destructively (written) and when is it accessed non-destructively (read)?

- Which operations within the module should be allowed to execute concurrently?
- Is per module single-threading appropriate for the module?
- Is per queue-pair or per queue single-threading appropriate?
- What are the message ordering requirements?

## Porting to the Oracle Solaris System

When porting a STREAMS module or driver from the SunOS 4 to an Oracle Solaris system, the module should be examined with respect to the following areas:

- The Oracle Solaris 11 Device Driver Interface (DDI/DKI)
- The Oracle Solaris 11 MT design

For portability and correct operation, each module must adhere to the Oracle Solaris DDI/DKI. Several facilities available in previous releases of the Oracle Solaris system have changed and can take different arguments, or produce different side effects, or no longer exist in the Oracle Solaris system. The module writer should carefully review the module with respect to the DDI/DKI.

Each module that accesses underlying Sun-specific features included in the Oracle Solaris system should conform to the Device Driver Interface. The Oracle Solaris DDI defines the interface used by the device driver to register device hardware interrupts, access device node properties, map device slave memory, and establish and synchronize memory mappings for DVMA (Direct Virtual Memory Access). These areas are primarily applicable to hardware device drivers. Refer to the Device Driver Interface Specification within the [Writing Device Drivers for Oracle Solaris 11.3](#) for details on the Oracle Solaris 11.3 DDI and DVMA.

The kernel networking subsystem in the Oracle Solaris system is based on STREAMS. Datalink drivers that used the `ifnet` interface in the SunOS 4 must be converted to use DLPI for the Oracle Solaris system. Refer to the Data Link Provider Interface, Revision 2 specification.

After reviewing the module for conformance to the Oracle Solaris DKI and DDI specifications, you should be able to consider the impact of multithreading on the module.

## Sample Multithreaded Device Driver Using a Per Module Inner Perimeter

[Example 60, “Multithreaded, Loadable, STREAMS Pseudo-Driver,” on page 280](#) is a sample multithreaded, loadable, STREAMS pseudo-driver. The driver MT design is the simplest

possible based on using a per module inner perimeter. Thus, only one thread can execute in the driver at any time. In addition, a `quntimeout(9F)` synchronous callback routine is used. The driver cancels an outstanding `qtimeout(9F)` by calling `quntimeout(9F)` in the `close` routine. See “`close()` Race Conditions” on page 275.

**EXAMPLE 60** Multithreaded, Loadable, STREAMS Pseudo-Driver

```
/*
 * Example Oracle Solaris 11 multithreaded STREAMS pseudo device driver.
 * Using a D_MTPERMOD inner perimeter.
 */

#include <sys/types.h>
#include <sys/errno.h>
#include <sys/stropts.h>
#include <sys/stream.h>
#include <sys/strlog.h>
#include <sys/cmn_err.h>
#include <sys/modctl.h>
#include <sys/kmem.h>
#include <sys/conf.h>
#include <sys/ksynch.h>
#include <sys/stat.h>
#include <sys/ddi.h>
#include <sys/sunddi.h>

/*
 * Function prototypes.
 */
static int xxidentify(dev_info_t *);
static int xxattach(dev_info_t *, ddi_attach_cmd_t);
static int xxdetach(dev_info_t *, ddi_detach_cmd_t);
static int xxgetinfo(dev_info_t *, ddi_info_cmd_t, void *, void**);
static int xxopen(queue_t *, dev_t *, int, int, cred_t *);
static int xxclose(queue_t *, int, cred_t *);
static int xxwput(queue_t *, mblk_t *);
static int xxwsrv(queue_t *);
static void xxtick(caddr_t);

/*
 * Streams Declarations
 */
static struct module_info xxm_info = {
    99,          /* mi_idnum */
    "xx",       /* mi_idname */
    0,          /* mi_minpsz */
}
```



```
    INFPSZ,      /* mi_maxpsz */
    0,           /* mi_hiwat */
    0           /* mi_lowat */
};

static struct qinit xxrinit = {
    NULL,        /* qi_putp */
    NULL,        /* qi_srvp */
    xxopen,     /* qi_qopen */
    xxclose,    /* qi_qclose */
    NULL,       /* qi_qadmin */
    &xxm_info,   /* qi_minfo */
    NULL        /* qi_mstat */
};

static struct qinit xxwinit = {
    xxwput,     /* qi_putp */
    xxwsrv,    /* qi_srvp */
    NULL,      /* qi_qopen */
    NULL,      /* qi_qclose */
    NULL,      /* qi_qadmin */
    &xxm_info, /* qi_minfo */
    NULL       /* qi_mstat */
};

static struct streamtab xxstrtab = {
    &xxrinit,   /* st_rdinit */
    &xxwinit,   /* st_wrinit */
    NULL,      /* st_muxrinit */
    NULL       /* st_muxwrinit */
};

/*
 * define the xx_ops structure.
 */

static struct cb_ops cb_xx_ops = {
    nodev,     /* cb_open */
    nodev,     /* cb_close */
    nodev,     /* cb_strategy */
    nodev,     /* cb_print */
    nodev,     /* cb_dump */
    nodev,     /* cb_read */
    nodev,     /* cb_write */
    nodev,     /* cb_ioctl */
    nodev,     /* cb_devmap */
    nodev,     /* cb_mmap */
    nodev,     /* cb_segmap */
};
```

```
    nochpoll,          /* cb_chpoll */
    ddi_prop_op,       /* cb_prop_op */
    &xxstrtab,         /* cb_stream */
    (D_NEW|D_MP|D_MTPERMOD) /* cb_flag */
};

static struct dev_ops xx_ops = {
    DEVO_REV,          /* devo_rev */
    0,                 /* devo_refcnt */
    xxgetinfo,         /* devo_getinfo */
    xxidentify,        /* devo_identify */
    nodev,             /* devo_probe */
    xxattach,          /* devo_attach */
    xxdetach,          /* devo_detach */
    nodev,             /* devo_reset */
    &cb_xx_ops,        /* devo_cb_ops */
    (struct bus_ops *)NULL /* devo_bus_ops */
};

/*
 * Module linkage information for the kernel.
 */
static struct modldrv modldrv = {
    &mod_driverops,    /* Type of module. This one is a driver */
    "xx",              /* Driver name */
    &xx_ops,           /* driver ops */
};

static struct modlinkage modlinkage = {
    MODREV_1,
    &modldrv,
    NULL
};

/*
 * Driver private data structure. One is allocated per Stream.
 */
struct xxstr {
    struct xxstr *xx_next; /* pointer to next in list */
    queue_t *xx_rq;        /* read side queue pointer */
    minor_t xx_minor;      /* minor device # (for clone) */
    int xx_timeoutid;      /* id returned from timeout() */
};

/*
 * Linked list of opened Stream xxstr structures.
 * No need for locks protecting it since the whole module is
 */
```

```

/* single threaded using the D_MTPERMOD perimeter.
 */
static struct xxstr      *xxup = NULL;

/*
 * Module Config entry points
 */

_init(void)
{
    return (mod_install(&modlinkage));
}

_fini(void)
{
    return (mod_remove(&modlinkage));
}

_info(struct modinfo *modinfop)
{
    return (mod_info(&modlinkage, modinfop));
}

/*
 * Auto Configuration entry points
 */

/* Identify device. */
static int
xxidentify(dev_info_t *dip)
{
    if (strcmp(ddi_get_name(dip), "xx") == 0)
        return (DDI_IDENTIFIED);
    else
        return (DDI_NOT_IDENTIFIED);
}

/* Attach device. */
static int
xxattach(dev_info_t *dip, ddi_attach_cmd_t cmd)
{
    /* This creates the device node. */
    if (ddi_create_minor_node(dip, "xx", S_IFCHR, ddi_get_instance(dip),
        DDI_PSEUDO, CLONE_DEV) == DDI_FAILURE) {
        return (DDI_FAILURE);
    }
    ddi_report_dev(dip);
}

```

```
        return (DDI_SUCCESS);
    }

    /* Detach device. */
    static int
    xxdetach(dev_info_t *dip, ddi_detach_cmd_t cmd)
    {
        ddi_remove_minor_node(dip, NULL);
        return (DDI_SUCCESS);
    }

    /* ARGSUSED */
    static int
    xxgetinfo(dev_info_t *dip, ddi_info_cmd_t infocmd, void *arg,
              void **resultp)
    {
        dev_t dev = (dev_t) arg;
        int instance, ret = DDI_FAILURE;

        devstate_t *sp;
        state *statep;
        instance = getminor(dev);

        switch (infocmd) {
        case DDI_INFO_DEVT2DEVINFO:
            if ((sp = ddi_get_soft_state(statep,
                getminor((dev_t) arg))) != NULL) {
                *resultp = sp->devi;
                ret = DDI_SUCCESS;
            } else
                *resultp = NULL;
            break;

        case DDI_INFO_DEVT2INSTANCE:
            *resultp = (void *)instance;
            ret = DDI_SUCCESS;
            break;

        default:
            break;
        }
        return (ret);
    }

    static
    xxopen(rq, devp, flag, sflag, credp)
        queue_t *rq;
        dev_t *devp;
```

```

int    flag;
int    sflag;
cred_t *credp;
{
    struct xxstr *xxp;
    struct xxstr **prevxxp;
    minor_t    minordev;

    /* If this stream already open - we're done. */
    if (rq->q_ptr)
        return (0);

    /* Determine minor device number. */
    prevxxp = & xxup;
    if (sflag == CLONEOPEN) {
        minordev = 0;
        while ((xxp = *prevxxp) != NULL) {
            if (minordev < xxp->xx_minor)
                break;
            minordev++;
            prevxxp = &xxp->xx_next;
        }
        *devp = makedevice(getmajor(*devp), minordev)
    } else
        minordev = getminor(*devp);

    /* Allocate our private per-Stream data structure. */
    if ((xxp = kmem_alloc(sizeof (struct xxstr), KM_SLEEP)) == NULL)
        return (ENOMEM);

    /* Point q_ptr at it. */
    rq->q_ptr = WR(rq)->q_ptr = (char *) xxp;

    /* Initialize it. */
    xxp->xx_minor = minordev;
    xxp->xx_timeoutid = 0;
    xxp->xx_rq = rq;

    /* Link new entry into the list of active entries. */
    xxp->xx_next = *prevxxp;
    *prevxxp = xxp;

    /* Enable xxput() and xxsrv() procedures on this queue. */
    qprocson(rq);

    return (0);
}

```

```
static
xxclose(rq, flag, credp)
    queue_t *rq;
    int flag;
    cred_t *credp;

{
    struct xxstr *xyp;
    struct xxstr **prevxyp;

    /* Disable xyput() and xysrv() procedures on this queue. */
    qprocsoff(rq);
    /* Cancel any pending timeout. */
    xyp = (struct xxstr *) rq->q_ptr;
    if (xyp->xx_timeoutid != 0) {
        (void) qntimeout(rq, xyp->xx_timeoutid);
        xyp->xx_timeoutid = 0;
    }
    /* Unlink per-stream entry from the active list and free it. */
    for (prevxyp = &xyp; (xyp = *prevxyp) != NULL;
        prevxyp = &xyp->xx_next)
        if (xyp == (struct xxstr *) rq->q_ptr)
            break;
    *prevxyp = xyp->xx_next;
    kmem_free (xyp, sizeof (struct xxstr));

    rq->q_ptr = WR(rq)->q_ptr = NULL;

    return (0);
}

static
xxwput(wq, mp)
    queue_t *wq;
    mblk_t *mp;
{
    struct xxstr *xyp = (struct xxstr *)wq->q_ptr;

    /* write your code here */
    /* *** Sacha's Comments *** broken */
    freemsg(mp);
    mp = NULL;

    if (mp != NULL)
        putnext(wq, mp);
}

static
```

```

xxwsrv(wq)
    queue_t *wq;
{
    mblk_t *mp;
    struct xxstr *xsp;

    xsp = (struct xxstr *) wq->q_ptr;

    while (mp = getq(wq)) {
        /* write your code here */
        freemsg(mp);

        /* for example, start a timeout */
        if (xsp->xx_timeoutid != 0) {
            /* cancel running timeout */
            (void) qntimeout(wq, xsp->xx_timeoutid);
        }
        xsp->xx_timeoutid = qtimeout(wq, xxtick, (char *)xsp, 10);
    }
}

static void
xxtick(arg)
    caddr_t arg;
{
    struct xxstr *xsp = (struct xxstr *)arg;

    xsp->xx_timeoutid = 0;      /* timeout has run */
    /* write your code here */
}

```

## Sample Multithreaded Module With Outer Perimeter

[Example 61, “Multithread Module with Outer Perimeter,” on page 288](#) is a sample multithreaded, loadable STREAMS module. The module MT design is a relatively simple one, based on a per queue-pair inner perimeter plus an outer perimeter. The inner perimeter protects per-instance data structure (accessed through the `q_ptr` field) and the module global data is protected by the outer perimeter. The outer perimeter is configured so that the `open` and `close` routines have exclusive access to the outer perimeter. This is necessary because they both modify the global-linked list of instances. Other routines that modify global data are run as [`qwriter\(9F\)`](#) callbacks, giving them exclusive access to the whole module.

**EXAMPLE 61** Multithread Module with Outer Perimeter

```
/*
 * Example Oracle Solaris 11 multi-threaded STREAMS module.
 * Using a per-queue-pair inner perimeter plus an outer perimeter.
 */

#include <sys/types.h>
#include <sys/errno.h>
#include <sys/stropts.h>
#include <sys/stream.h>
#include <sys/strlog.h>
#include <sys/cmn_err.h>
#include <sys/kmem.h>
#include <sys/conf.h>
#include <sys/ksynch.h>
#include <sys/modctl.h>
#include <sys/stat.h>
#include <sys/ddi.h>
#include <sys/sunddi.h>

/*
 * Function prototypes.
 */
static int xxopen(queue_t *, dev_t *, int, int, cred_t *);
static int xxclose(queue_t *, int, cred_t *);
static int xxwput(queue_t *, mblk_t *);
static int xxwsrv(queue_t *);
static void xxwput_ioctl(queue_t *, mblk_t *);
static int xxrput(queue_t *, mblk_t *);
static void xxtick(caddr_t);

/*
 * Streams Declarations
 */
static struct module_info xxm_info = {
    99, /* mi_idnum */
    "xx", /* mi_idname */
    0, /* mi_minpsz */
    INFPSZ, /* mi_maxpsz */
    0, /* mi_hiwat */
    0 /* mi_lowat */
};

/*
 * Define the read-side qinit structure
 */
static struct qinit xxrinit = {
```



```

    xxrput,      /* qi_putp */
    NULL,        /* qi_srvp */
    xxopen,      /* qi_qopen */
    xxclose,     /* qi_qclose */
    NULL,        /* qi_qadmin */
    &xxm_info,   /* qi_minfo */
    NULL         /* qi_mstat */
};
/*
 * Define the write-side qinit structure
 */
static struct qinit xxwinit = {
    xxwput,      /* qi_putp */
    xxwsr,       /* qi_srvp */
    NULL,        /* qi_qopen */
    NULL,        /* qi_qclose */
    NULL,        /* qi_qadmin */
    &xxm_info,   /* qi_minfo */
    NULL         /* qi_mstat */
};

static struct streamtab xxstrtab = {
    &xxrini,     /* st_rdinit */
    &xxwini,     /* st_wrinit */
    NULL,       /* st_muxrinit */
    NULL        /* st_muxwrinit */
};

/*
 * define the fmodsw structure.
 */

static struct fmodsw xx_fsw = {
    "xx",        /* f_name */
    &xxstrtab,   /* f_str */
    (D_NEW|D_MP|D_MTQPAIR|D_MTOUTPERIM|D_MTOEXCL) /* f_flag */
};

/*
 * Module linkage information for the kernel.
 */
static struct modlstrmod modlstrmod = {
    &mod_strmodops, /* Type of module; a STREAMS module */
    "xx module",    /* Module name */
    &xx_fsw,        /* fmodsw */
};

static struct modlinkage modlinkage = {

```

```
    MODREV_1,
    &modlstrmod,
    NULL
};

/*
 * Module private data structure. One is allocated per stream.
 */
struct xxstr {
    struct xxstr *xx_next; /* pointer to next in list */
    queue_t *xx_rq; /* read side queue pointer */
    int xx_timeoutid; /* id returned from timeout() */
};

/*
 * Linked list of opened stream xxstr structures and other module
 * global data. Protected by the outer perimeter.
 */
static struct xxstr *xxup = NULL;
static int some_module_global_data;

/*
 * Module Config entry points
 */
int
_init(void)
{
    return (mod_install(&modlinkage));
}
int
_fini(void)
{
    return (mod_remove(&modlinkage));
}
int
_info(struct modinfo *modinfop)
{
    return (mod_info(&modlinkage, modinfop));
}

static int
xxopen(queue_t *rq, dev_t *devp, int flag, int sflag, cred_t *credp)
{
    struct xxstr *xsp;
    /* If this stream already open - we're done. */
    if (rq->q_ptr)
```

```

    return (0);
/* We must be a module */
if (sflag != MODOPEN)
    return (EINVAL);

/*
 * The perimeter flag D_MTOCEXCL implies that the open and
 * close routines have exclusive access to the module global
 * data structures.
 *
 * Allocate our private per-stream data structure.
 */
xyp = kmem_alloc(sizeof (struct xxstr),KM_SLEEP);

/* Point q_ptr at it. */
rq->q_ptr = WR(rq)->q_ptr = (char *) xyp;

/* Initialize it. */
xyp->xx_rq = rq;
xyp->xx_timeoutid = 0;

/* Link new entry into the list of active entries. */
xyp->xx_next = xxup;
xxup = xyp;

/* Enable xxput() and xxsrv() procedures on this queue. */
qprocson(rq);
/* Return success */
return (0);
}

static int
xxclose(queue_t,*rq, int flag,cred_t *credp)
{
    struct xxstr *xyp;
    struct xxstr **prevxyp;

    /* Disable xxput() and xxsrv() procedures on this queue. */
    qprocsoff(rq);
    /* Cancel any pending timeout. */
    xyp = (struct xxstr *) rq->q_ptr;
    if (xyp->xx_timeoutid != 0) {
        (void) qntimeout(WR(rq), xyp->xx_timeoutid);
        xyp->xx_timeoutid = 0;
    }
}
/*
 * D_MTOCEXCL implies that the open and close routines have
 * exclusive access to the module global data structures.

```

```

    *
    * Unlink per-stream entry from the active list and free it.
    */
    for (prevxyp = &xxup; (xyp = *prevxyp) != NULL;
        prevxyp = &xyp->xx_next) {
        if (xyp == (struct xxstr *) rq->q_ptr)
            break;
    }
    *prevxyp = xyp->xx_next;
    kmem_free (xyp, sizeof (struct xxstr));
    rq->q_ptr = WR(rq)->q_ptr = NULL;
    return (0);
}

static int
xxrput(queue_t, *wq, mblk_t *mp)
{
    struct xxstr *xyp = (struct xxstr *)wq->q_ptr;

    /*
     * Write your code here. Can read "some_module_global_data"
     * since we have shared access at the outer perimeter.
     */
    putnext(wq, mp);
}

/* qwriter callback function for handling M_IOCTL messages */
static void
xxwput_ioctl(queue_t, *wq, mblk_t *mp)
{
    struct xxstr *xyp = (struct xxstr *)wq->q_ptr;

    /*
     * Write your code here. Can modify "some_module_global_data"
     * since we have exclusive access at the outer perimeter.
     */
    mp->b_datap->db_type = M_IOCNAK;
    qreply(wq, mp);
}

static
xxwput(queue_t *wq, mblk_t *mp)
{
    struct xxstr *xyp = (struct xxstr *)wq->q_ptr;

    if (mp->b_datap->db_type == M_IOCTL) {
        /* M_IOCTL will modify the module global data */
        qwriter(wq, mp, xxwput_ioctl, PERIM_OUTER);
    }
}

```

```
    return;
}
/*
 * Write your code here. Can read "some_module_global_data"
 * since we have exclusive access at the outer perimeter.
 */
putnext(wq, mp);
}

static
xxsrv(queue_t wq)
{
    mblk_t *mp;
    struct xxstr *xsp = (struct xxstr *) wq->q_ptr;

    while (mp = getq(wq)) {
        /*
         * Write your code here. Can read "some_module_global_data"
         * since we have exclusive access at the outer perimeter.
         */
        freemsg(mp);

        /* for example, start a timeout */
        if (xsp->xx_timeoutid != 0) {
            /* cancel running timeout */
            (void) qntimeout(wq, xsp->xx_timeoutid);
        }
        xsp->xx_timeoutid = qtimeout(wq, xxtick, (char *)xsp, 10);
    }
}

static void
xxtick(arg)
    caddr_t arg;
{
    struct xxstr *xsp = (struct xxstr *)arg;

    xsp->xx_timeoutid = 0;    /* timeout has run */
    /*
     * Write your code here. Can read "some_module_global_data"
     * since we have shared access at the outer perimeter.
     */
}
}
```



## STREAMS Multiplex Drivers

---

This chapter describes how STREAMS multiplexing configurations are created and also discusses multiplexing drivers. A STREAMS *multiplexer* is a driver with multiple streams connected to it. The primary function of the multiplexing driver is to switch messages among the connected streams. Multiplexer configurations are created from the user level by system calls.

This chapter contains the following information:

- “STREAMS Multiplexers” on page 295
- “Connecting And Disconnecting Lower Streams” on page 303
- “Multiplexer Construction Example” on page 305
- “Multiplexing Driver Example” on page 306
- “Persistent Links” on page 316
- “Design Guidelines” on page 318

### STREAMS Multiplexers

STREAMS-related system calls are used to set up the "plumbing," or stream interconnections, for multiplexing drivers. The subset of these calls that allows a user to connect (and disconnect) streams below a driver is referred to as *multiplexing*. This type of connection is referred to as a one-to-M, or lower, multiplexer configuration. This configuration must always contain a multiplexing driver, which is recognized by STREAMS as having special characteristics.

Multiple streams can be connected above a driver by `open(2)` calls. This accommodates the loop-around driver and the driver that handled multiple minor devices in [Chapter 9, “STREAMS Drivers”](#). There is no difference between the connections to these drivers. Only the functions performed by the driver are different. In the multiplexing case, the driver routes data between multiple streams. In the device driver case, the driver routes data between user processes and associated physical ports. Multiplexing with streams connected above is referred to as an N-to-1, or upper, multiplexer. STREAMS does not provide any facilities beyond `open` and `close` to connect or disconnect upper streams for multiplexing.

From the driver's perspective, upper and lower configurations differ only in the way they are initially connected to the driver. The implementation requirements are the same: route the data and handle flow control. All multiplexer drivers require special developer-provided software to perform the multiplexing data routing and to handle flow control. STREAMS does not directly support flow control among multiplexed streams. M-to-N multiplexing configurations are implemented by using both of these mechanisms in a driver.

As discussed in [Chapter 9, “STREAMS Drivers”](#), the multiple streams that represent minor devices are actually distinct streams in which the driver keeps track of each stream attached to it. The STREAMS subsystem does not recognize any relationship between the streams. The same is true for STREAMS multiplexers of any configuration. The multiplexed streams are distinct and the driver must be implemented to do most of the work.

In addition to upper and lower multiplexers, more complex configurations can be created by connecting streams containing multiplexers to other multiplexer drivers. With such a diversity of needs for multiplexers, providing general-purpose multiplexer drivers is not possible. Rather, STREAMS provides a general purpose multiplexing facility. The facility enables you to set up the intermodule or driver plumbing to create multiplexer configurations of generally unlimited interconnection.

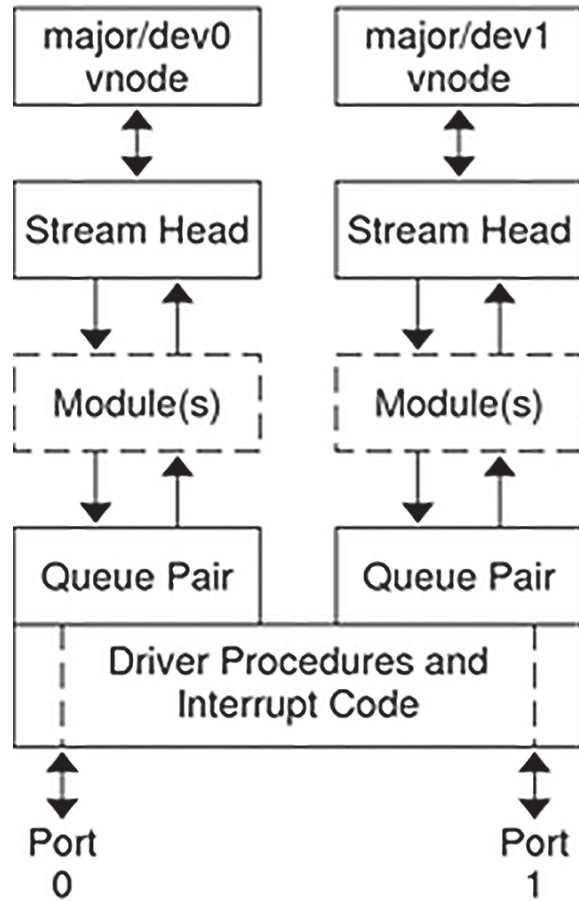
## Building a Multiplexer

The example in this section builds a protocol multiplexer with the multiplexing configuration shown in [Figure 36, “Protocol Multiplexer,” on page 297](#). To free users from the need to know about the underlying protocol structure, a user-level daemon process is built to maintain the multiplexing configuration. Users can then access the transport protocol directly by opening the transport protocol (TP) driver device node.

An internetworking protocol driver (IP) routes data from a single upper stream to one of two lower streams. This driver supports two STREAMS connections beneath it. These connections are to two distinct networks; one for the IEEE 802.3 standard through the 802.3 driver, and another to the IEEE 802.4 standard through the 802.4 driver. The TP driver multiplexes upper streams over a single stream to the IP driver.



FIGURE 36 Protocol Multiplexer



Example 62, “Protocol Daemon,” on page 297 shows how this daemon process sets up the protocol multiplexer. The necessary declarations and initialization for the daemon program follow.

**EXAMPLE 62** Protocol Daemon

```
#include <fcntl.h>
```

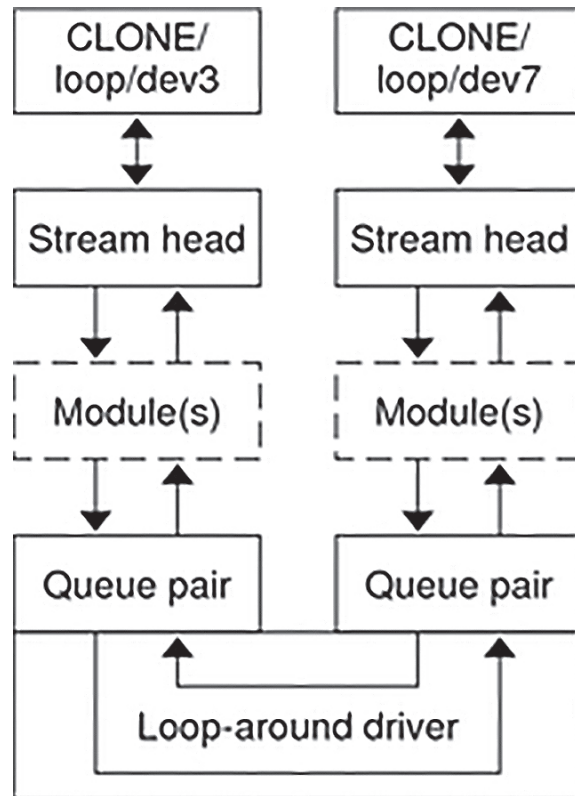
```
#include <stropts.h>
void
main()
{
    int fd_802_4,
        fd_802_3,
        fd_ip,
        fd_tp;
    /* daemon-ize this process */

    switch (fork()) {
    case 0:
        break;
    case -1:
        perror("fork failed");
        exit(2);
    default:
        exit(0);
    }
    (void)setsid();
}
```

This multilevel multiplexed stream configuration is built from the bottom up. The example begins by first constructing the IP multiplexer. This multiplexing device driver is treated like any other software driver. It owns a node in the file system and is opened just like any other STREAMS device driver.

The first step is to open the multiplexing driver and the 802.4 driver, thus creating separate streams above each driver as shown in [Figure 37, “Streams Before Link,” on page 299](#). The stream to the 802.4 driver may now be connected below the multiplexing IP driver using the `I_LINK ioctl(2)`.

FIGURE 37 Streams Before Link



The sequence of instructions to this point is:

```

if ((fd_802_4 = open("/dev/802_4", O_RDWR)) < 0) {
    perror("open of /dev/802_4 failed");
    exit(1);
}
if ((fd_ip = open("/dev/ip", O_RDWR)) < 0) {
    perror("open of /dev/ip failed");
    exit(2);
}
/* now link 802.4 to underside of IP */
if (ioctl(fd_ip, I_LINK, fd_802_4) < 0) {
    perror("I_LINK ioctl failed");
    exit(3);
}

```

```
}
```

`I_LINK` takes two file descriptors as arguments. The first file descriptor, `fd_ip`, is the stream connected to the multiplexing driver, and the second file descriptor, `fd_802_4`, is the stream to be connected below the multiplexer. The complete stream to the 802.4 driver is connected below the IP driver. The stream head's queues of the 802.4 driver are used by the IP driver to manage the lower half of the multiplexer.

`I_LINK` returns an integer value, `muxid`, which is used by the multiplexing driver to identify the stream just connected below it. `muxid` is ignored in the example, but it is useful for dismantling a multiplexer or routing data through the multiplexer. Its significance is discussed in [“Dismantling a Multiplexer” on page 302](#).

The following sequence of system calls continues building the Internetworking Protocol multiplexer (IP):

```
if ((fd_802_3 = open("/dev/802_3", O_RDWR)) < 0) {
    perror("open of /dev/802_3 failed");
    exit(4);
}
if (ioctl(fd_ip, I_LINK, fd_802_3) < 0) {
    perror("I_LINK ioctl failed");
    exit(5);
}
```

The stream above the multiplexing driver used to establish the lower connections is the controlling stream and has special significance when dismantling the multiplexing configuration. This is illustrated in [“Dismantling a Multiplexer” on page 302](#). The stream referenced by `fd_ip` is the controlling stream for the IP multiplexer.

The order in which the streams in the multiplexing configuration are opened is unimportant. If intermediate modules in the stream are necessary between the IP driver and media drivers, these modules must be added to the streams associated with the media drivers (using `I_PUSH`) before the media drivers are attached below the multiplexer.

The number of streams that can be linked to a multiplexer is restricted by the design of the particular multiplexer. The man page describing each driver describes such restrictions (see [Intro\(7\)](#)). However, only one `I_LINK` operation is allowed for each lower stream; a single stream cannot be linked below two multiplexers simultaneously.

Continuing with the example, the IP driver is now linked below the transport protocol (TP) multiplexing driver. As seen in [Figure 36, “Protocol Multiplexer,” on page 297](#), only one link is supported below the transport driver. This link is formed by the following sequence of system calls:

```
if ((fd_tp = open("/dev/tp", O_RDWR)) < 0) {
```

```

    perror("open of /dev/tp failed");
    exit(6);
}
if (ioctl(fd_tp, I_LINK, fd_ip) < 0) {
    perror("I_LINK ioctl failed");
    exit(7);
}

```

Because the controlling stream of the IP multiplexer has been linked below the TP multiplexer, the controlling stream for the new multilevel multiplexer configuration is the stream above the TP multiplexer.

At this point, the file descriptors associated with the lower drivers can be closed without affecting the operation of the multiplexer. If these file descriptors are not closed, all subsequent [read\(2\)](#), [write\(2\)](#), [ioctl\(2\)](#), [poll\(2\)](#), [getmsg\(2\)](#), and [putmsg\(2\)](#) calls issued to them fail. That is because `I_LINK` associates the stream head of each linked stream with the multiplexer, so the user may not access that stream directly for the duration of the link.

The following sequence of system calls completes the daemon example:

```

close(fd_802_4);
close(fd_802_3);
close(fd_ip);
/* Hold multiplexer open forever or at least til this process
   is terminated by an external UNIX signal */
pause();
}

```

The transport driver supports several simultaneous streams. These streams are multiplexed over the single stream connected to the IP multiplexer. The mechanism for establishing multiple streams above the transport multiplexer is actually a by-product of the way in which streams are created between a user process and a driver. By opening different minor devices of a STREAMS driver, separate streams will be connected to that driver. The driver must be designed with the intelligence to route data from the single lower stream to the appropriate upper stream.

The daemon process maintains the multiplexed stream configuration through an open stream (the controlling stream) to the transport driver. Meanwhile, other users can access the services of the transport protocol by opening new streams to the transport driver; they are freed from the need for any unnecessary knowledge of the underlying protocol configurations and subnetworks that support the transport service.

Multilevel multiplexing configurations should be assembled from the bottom up. That is because the passing of [ioctl\(2\)](#) through the multiplexer is determined by the nature of the multiplexing driver and cannot generally be relied on.

## Dismantling a Multiplexer

Streams connected to a multiplexing driver from above with `open(2)`, can be dismantled by closing each stream with `close(2)`. The mechanism for dismantling streams that have been linked below a multiplexing driver is less obvious, and is described in [“Disconnecting Lower Streams” on page 305](#).

`I_UNLINK ioctl(2)` disconnects each multiplexer link below a multiplexing driver individually. This command has the form:

```
ioctl(fd, I_UNLINK, muxid);
```

where `fd` is a file descriptor associated with a stream connected to the multiplexing driver from above, and `muxid` is the identifier that was returned by `I_LINK` when a driver was linked below the multiplexer. Each lower driver may be disconnected individually in this way, or a special `muxid` value of `MUXID_ALL` can be used to disconnect all drivers from the multiplexer simultaneously.

In the multiplexing daemon program, the multiplexer is never explicitly dismantled. That is because all links associated with a multiplexing driver are automatically dismantled when the controlling stream associated with that multiplexer is closed. Because the controlling stream is open to a driver, only the final call of `close` for that stream will close it. In this case, the daemon is the only process that has opened the controlling stream, so the multiplexing configuration will be dismantled when the daemon exits.

For the automatic dismantling mechanism to work in the multilevel, multiplexed stream configuration, the controlling stream for each multiplexer at each level must be linked under the next higher-level multiplexer. In the example, the controlling stream for the IP driver was linked under the TP driver. This resulted in a single controlling stream for the full, multilevel configuration. Because the multiplexing program relied on closing the controlling stream to dismantle the multiplexed stream configuration instead of using explicit `I_UNLINK` calls, the `muxid` values returned by `I_LINK` could be ignored.

An important side effect of automatic dismantling on the close is that a process cannot build a multiplexing configuration with `I_LINK` and then exit. `exit(2)` closes all files associated with the process, including the controlling stream. To keep the configuration intact, the process must exist for the life of that multiplexer. That is the motivation for implementing the multiplexer as a daemon process, see [“Multiplexing Driver Example” on page 306](#).

If the process uses persistent links through `I_PLINK ioctl(2)`, the multiplexer configuration remains intact after the process exits. These links are described in [“Persistent Links” on page 316](#).

## Routing Data Through a Multiplexer

As demonstrated, STREAMS provides a mechanism for building multiplexed stream configurations. However, the criteria by which a multiplexer routes data are driver dependent. For example, the protocol multiplexer might use address information found in a protocol header to determine the subnetwork over which data should be routed. You must define its routing criteria.

One routing option available to the multiplexer is to use the `muxid` value to determine the stream to which data is routed (remember that each multiplexer link has a `muxid`). `I_LINK` passes the `muxid` value to the driver and returns this value to the user. The driver can therefore specify that the `muxid` value accompany data routed through it. For example, if a multiplexer routed data from a single upper stream to one of several lower streams (as did the IP driver), the multiplexer can require the user to insert the `muxid` of the desired lower stream into the first four bytes of each message passed to it. The driver can then match the `muxid` in each message with the `muxid` of each lower stream, and route the data accordingly.

## Connecting And Disconnecting Lower Streams

Multiple streams are created above a driver/multiplexer by use of the open system call on either different minor device, or on a cloneable device file. Note that any driver that handles more than one minor device is considered an upper multiplexer.

To connect streams below a multiplexer requires additional software in the multiplexer. The main difference between STREAMS lower multiplexers and STREAMS device drivers is that multiplexers are pseudo-devices and multiplexers have two additional `qinit` structures, pointed to by fields in `streamtab(9S)`: the lower half read-side `qinit(9S)` and the lower half write-side `qinit(9S)`.

The multiplexer is divided into two parts: the lower half and the upper half. The multiplexer queue structures allocated when the multiplexer was opened use the usual `qinit` entries from the multiplexer's `streamtab(9S)`. This is the same as any open of the STREAMS device. When a lower stream is linked beneath the multiplexer, the `qinit` structures at the stream head are substituted by the lower half `qinit(9S)` structures identified in the `streamtab` for the multiplexers. Once the linkage is made, the multiplexer switches messages between upper and lower streams. When messages reach the top of the lower stream, they are handled by put and service routines specified in the bottom half of the multiplexer.

## Connecting Lower Streams

A lower multiplexer is connected as follows: the initial open to a multiplexing driver creates a stream, as in any other driver. open uses the `st_rdinit` and `st_wrinit` elements of the `streamtab` structure to initialize the driver queues.. At this point, the only distinguishing characteristics of this stream are non-NULL entries in the [streamtab\(9S\)](#) `st_muxrinit` and `st_muxwinit` fields.

These fields are ignored by open. Any other stream subsequently opened to this driver will have the same `streamtab` and thereby the same mux fields.

Next, another file is opened to create a (soon-to-be) lower stream. The driver for the lower stream is typically a device driver This stream has no distinguishing characteristics. It can include any driver compatible with the multiplexer. Any modules required on the lower stream must be pushed onto it now.

Next, this lower stream is connected below the multiplexing driver with an `I_LINK` [ioctl\(2\)](#) (see [streamio\(7I\)](#)). The stream head points to the stream head routines as its procedures (through its queue). An `I_LINK` to the upper stream, referencing the lower stream, causes STREAMS to modify the contents of the stream head's queues in the lower stream. The pointers to the stream head routines, and other values, in the stream head's queues are replaced with those contained in the mux fields of the multiplexing driver's `streamtab`. Changing the stream head routines on the lower stream means that all subsequent messages sent upstream by the lower stream's driver are passed to the put procedure designated in `st_muxrinit`, the multiplexing driver. The `I_LINK` also establishes this upper stream as the control stream for this lower stream. STREAMS remembers the relationship between these two streams until the upper stream is closed or the lower stream is unlinked.

Finally, the stream head sends an `M_IOCTL` message with `ioc_cmd` set to `I_LINK` to the multiplexing driver. The `M_DATA` part of the `M_IOCTL` contains a [linkblk\(9S\)](#) structure. The multiplexing driver stores information from the [linkblk\(9S\)](#) structure in private storage and returns an `M_IOCACK` acknowledgement. `l_index` is returned to the process requesting the `I_LINK`. This value is used later by the process to disconnect the stream.

An `I_LINK` is required for each lower stream connected to the driver. Additional upper streams can be connected to the multiplexing driver by open calls. Any message type can be sent from a lower stream to user processes along any of the upper streams. The upper streams provide the only interface between the user processes and the multiplexer.

No direct data structure linkage is established for the linked streams. The read queue's `q_next` is NULL and the write queue's `q_next` points to the first entity on the lower stream. Messages flowing upstream from a lower driver (a device driver or another multiplexer) will enter the multiplexing driver put procedure with the queue represented in `l_qbot` as the `queue_t` for the



put procedure. The multiplexing driver has to route the messages to the appropriate upper (or lower) stream. Similarly, a message coming downstream from user space on any upper stream has to be processed and routed, if required, by the driver.

---

**Note** - It is the responsibility of the driver to handle routing of messages between the upper and lower streams, or between any lateral stream that is part of the multiplexer. This operation is not handled by the STREAMS framework.

---

In general, multiplexing drivers should be implemented so that new streams can be dynamically connected to (and existing streams disconnected from) the driver without interfering with its ongoing operation. The number of streams that can be connected to a multiplexer is implementation dependent.

## Disconnecting Lower Streams

Dismantling a lower multiplexer is accomplished by disconnecting (unlinking) the lower streams. Unlinking can be initiated in three ways:

- An `I_UNLINK ioctl(2)` referencing a specific stream
- An `I_UNLINK` indicating all lower streams
- The last close of the control stream

As in the link, an unlink sends a `linkblk(9S)` structure to the driver in an `M_IOCTL` message. The `I_UNLINK` call, which unlinks a single stream, uses the `l_index` value returned in the `I_LINK` to specify the lower stream to be unlinked. The latter two calls must designate a file corresponding to a control stream, which causes all the lower streams that were previously linked by this control stream to be unlinked. However, the driver sees a series of individual unlinks.

If no open references exist for a lower stream, a subsequent unlink will automatically close the stream. Otherwise, the lower stream must be closed by `close(2)` following the unlink. STREAMS automatically dismantles all cascaded multiplexers (below other multiplexing streams) if their controlling stream is closed. An `I_UNLINK` leaves lower, cascaded multiplexing streams intact unless the stream file descriptor was previously closed.

## Multiplexer Construction Example

This section describes an example of multiplexer construction and usage. Multiple upper and lower streams interface to the multiplexer driver.

The Ethernet, LAPB, and IEEE 802.2 device drivers terminate links to other nodes. The multiplexer driver is an Internet Protocol (IP) multiplexer that switches data among the various nodes or sends data upstream to users in the system. The net modules typically provide a convergence function that matches the multiplexer driver and device driver interface.

Streams A, B, and C are opened by the process, and modules are pushed as needed. Two upper streams are opened to the IP multiplexer. The rightmost stream represents multiple streams, each connected to a process using the network. The stream second from the right provides a direct path to the multiplexer for supervisory functions. The control stream, leading to a process, sets up and supervises this configuration. It is always directly connected to the IP driver. Although not shown, modules can be pushed on the control stream.

After the streams are opened, the supervisory process typically transfers routing information to the IP drivers (and any other multiplexers above the IP), and initializes the links. As each link becomes operational, its stream is connected below the IP driver. If a more complex multiplexing configuration is required, the IP multiplexer stream with all its connected links can be connected below another multiplexer driver.

## Multiplexing Driver Example

This section contains an example of a multiplexing driver that implements an N-to-1 configuration. This configuration might be used for terminal windows, where each transmission to or from the terminal identifies the window. This resembles a typical device driver, with two differences: the device-handling functions are performed by a separate driver, connected as a lower stream, and the device information (that is, relevant user process) is contained in the input data rather than in an interrupt call.

Each upper stream is created by `open(2)`. A single lower stream is opened and then it is linked by use of the multiplexing facility. This lower stream might connect to the TTY driver. The implementation of this example is a foundation for an M-to-N multiplexer.

As in the loop-around driver ([Chapter 9, “STREAMS Drivers”](#)), flow control requires the use of standard and special code because physical connectivity among the streams is broken at the driver. Different approaches are used for flow control on the lower stream, for messages coming upstream from the device driver, and on the upper streams, for messages coming downstream from the user processes.

---

**Note** - The code presented here for the multiplexing driver represents a single-threaded, uniprocessor implementation. See [Chapter 12, “Multithreaded STREAMS”](#) for details on multiprocessor and multithreading issues such as locking for data corruption and to prevent race conditions.

---

Example 63, “Multiplexer Declarations,” on page 307 is of multiplexer declarations:

**EXAMPLE 63** Multiplexer Declarations

```
#include <sys/types.h>
#include <sys/param.h>
#include <sys/stream.h>
#include <sys/stropts.h>
#include <sys/errno.h>
#include <sys/cred.h>
#include <sys/ddi.h>
#include <sys/sunddi.h>

static int muxopen (queue_t*, dev_t*, int, int, cred_t*);
static int muxclose (queue_t*, int, cred_t*);
static int muxwput (queue_t*, mblk_t*);
static int muxlwsrv (queue_t*);
static int muxlrput (queue_t*, mblk_t*);
static int muxwsrv (queue_t*);

static struct module_info info = {
    0xaabb, "mux", 0, INFPSZ, 512, 128 };

static struct qinit urinit = { /* upper read */
    NULL, NULL, muxopen, muxclose, NULL, &info, NULL };

static struct qinit uwinit = { /* upper write */
    muxwput, muxwsrv, NULL, NULL, NULL, &info, NULL };

static struct qinit lrinit = { /* lower read */
    muxlrput, NULL, NULL, NULL, NULL, &info, NULL };

static struct qinit lwinit = { /* lower write */
    NULL, muxlwsrv, NULL, NULL, NULL, &info, NULL };

struct streamtab muxinfo = {
    &urinit, &uwinit, &lrinit, &lwinit };

struct mux {
    queue_t *qptr; /* back pointer to read queue */
    int bufcid; /* bufcall return value */
};
extern struct mux mux_mux[];
extern int mux_cnt; /* max number of muxes */

static queue_t *muxbot; /* linked lower queue */
static int muxerr; /* set if error of hangup on
```

```
lower strm */
```

The four `streamtab` entries correspond to the upper read, upper write, lower read, and lower write `qinit` structures. The multiplexing `qinit` structures replace those in each lower stream head (in this case there is only one) after the `I_LINK` has concluded successfully. In a multiplexing configuration, the processing performed by the multiplexing driver can be partitioned between the upper and lower queues. There must be an upper-stream write put procedure and lower-stream read put procedure. If the queue procedures of the opposite upper/lower queue are not needed, the queue can be skipped, and the message put to the following queue.

In the example, the upper read-side procedures are not used. The lower-stream read queue put procedure transfers the message directly to the read queue upstream from the multiplexer. There is no lower write put procedure because the upper write put procedure directly feeds the lower write queue downstream from the multiplexer.

The driver uses a private data structure, `mux`. `mux_mux[dev]` points back to the opened upper read queue. This is used to route messages coming upstream from the driver to the appropriate upper queue. It is also used to find a free major or minor device for a `CLONEOPEN` driver open case.

[Example 64, “Upper Queue Open,” on page 308](#), the upper queue open, contains the canonical driver open code.

**EXAMPLE 64** Upper Queue Open

```
static int
muxopen(queue_t *q, dev_t *devp, int flag,
        int sflag, cred_t *credp)
{
    struct mux *mux;
    minor_t device;

    if (q->q_ptr)
        return(EBUSY);

    if (sflag == CLONEOPEN) {
        for (device = 0; device < mux_cnt; device++)
            if (mux_mux[device].qptr == 0)
                break;

        *devp=makedevice(getmajor(*devp), device);
    }
    else {
        device = getminor(*devp);
        if (device >= mux_cnt)
```

```

    return ENXIO;
}

mux = &mux_mux[device];
mux->qptr = q;
q->q_ptr = (char *) mux;
WR(q)->q_ptr = (char *) mux;
qprocson(q);
return (0);
}

```

`muxopen` checks for a clone or ordinary open call. It initializes `q_ptr` to point at the `mux_mux[]` structure.

The core multiplexer processing is as follows: downstream data written to an upper stream is queued on the corresponding upper write message queue if the lower stream is flow controlled. This allows flow control to propagate toward the stream head for each upper stream. A lower write service procedure, rather than a write put procedure, is used so that flow control, coming up from the driver below, may be handled.

On the lower read side, data coming up the lower stream are passed to the lower read put procedure. The procedure routes the data to an upper stream based on the first byte of the message. This byte holds the minor device number of an upper stream. The put procedure handles flow control by testing the upper stream at the first upper read queue beyond the driver.

## Upper Write put Procedure Sample

`muxuwput`, the upper-queue write put procedure, traps `ioctl` calls, in particular `I_LINK` and `I_UNLINK`:

**EXAMPLE 65** `bufcall` Callback Routine

```

static int
/*
 * This is our callback routine used by bufcall() to inform us
 * when buffers become available
 */
static void mux_qenable(long ql)
{
    queue_t *q = (queue_t *ql);
    struct mux *mux;

    mux = (struct mux *) (q->q_ptr);
    mux->bufcid = 0;
}

```

```
    qenable(q);
}
muxwput(queue_t *q, mblk_t *mp)
{
    struct mux *mux;

    mux = (struct mux *)q->q_ptr;
    switch (mp->b_datap->db_type) {
    case M_IOCTL: {
        struct iocblk *iocp;
        struct linkblk *linkp;
        /*
         * ioctl. Only channel 0 can do ioctls. Two
         * calls are recognized: LINK, and UNLINK
         */
        if (mux != mux_mux)
            goto iocnak;

        iocp = (struct iocblk *) mp->b_rptr;
        switch (iocp->ioc_cmd) {
        case I_LINK:
            /*
             * Link. The data contains a linkblk structure
             * Remember the bottom queue in muxbot.
             */
            if (muxbot != NULL)
                goto iocnak;

            linkp=(struct linkblk *) mp->b_cont->b_rptr;
            muxbot = linkp->l_qbot;
            muxerr = 0;

            mp->b_datap->db_type = M_IOCACK;
            iocp->ioc_count = 0;
            qreply(q, mp);
            break;
        case I_UNLINK:
            /*
             * Unlink. The data contains a linkblk struct.
             * Should not fail an unlink. Null out muxbot.
             */
            linkp=(struct linkblk *) mp->b_cont->b_rptr;
            muxbot = NULL;
            mp->b_datap->db_type = M_IOCACK;
            iocp->ioc_count = 0;
            qreply(q, mp);
            break;
        default:
```

```

iocnak:
    /* fail ioctl */
    mp->b_datap->db_type = M_IOCNAK;
    qreply(q, mp);
}
break;
}
case M_FLUSH:
    if (*mp->b_rptr & FLUSHW)
        flushq(q, FLUSHDATA);
    if (*mp->b_rptr & FLUSHR) {
        *mp->b_rptr &= ~FLUSHW;
        qreply(q, mp);
    } else
        freemsg(mp);
    break;

case M_DATA:{
    /*
     * Data. If we have no lower queue --> fail
     * Otherwise, queue the data and invoke the lower
     * service procedure.
    */
    mblk_t *bp;
    if (muxerr || muxbot == NULL)
        goto bad;
    if ((bp = allocb(1, BPRI_MED)) == NULL) {
        putbq(q, mp);
        mux->bufcid = bufcall(1, BPRI_MED,
            mux_qenable, (long)q);
        break;
    }
    *bp->b_wptr++ = (struct mux *)q->ptr - mux_mux;
    bp->b_cont = mp;
    putq(q, bp);
    break;
}
default:
bad:
    /*
     * Send an error message upstream.
     */
    mp->b_datap->db_type = M_ERROR;
    mp->b_rptr = mp->b_wptr = mp->b_datap->db_base;
    *mp->b_wptr++ = EINVAL;
}

```

```
    qreply(q, mp);  
  }  
}
```

First, there is a check to enforce that the stream associated with minor device 0 will be the single, controlling stream. The `ioctl`s are only accepted on this stream. As described previously, a controlling stream is the one that issues the `I_LINK`. There should be only a single control stream. `I_LINK` and `I_UNLINK` include a `linkblk` structure containing the following fields:

`l_qtop` is the upper write queue from which the `ioctl(2)` comes. It always equals `q` for an `I_LINK`, and `NULL` for `I_PLINK`.

`l_qbot` is the new lower write queue. It is the former stream head write queue and is where the multiplexer gets and puts its data.

`l_index` is a unique (system-wide) identifier for the link. It can be used for routing or during selective unlinks. Since the example only supports a single link, `l_index` is not used.

For `I_LINK`, `l_qbot` is saved in `muxbot` and a positive acknowledgement is generated. From this point on, until an `I_UNLINK` occurs, data from upper queues will be routed through `muxbot`. Note that when an `I_LINK` is received, the lower stream has already been connected. This enables the driver to send messages downstream to perform any initialization functions. Returning an `M_IOCTLNAK` message (negative acknowledgement) in response to an `I_LINK` causes the lower stream to be disconnected.

The `I_UNLINK` handling code nulls out `muxbot` and generates a positive acknowledgement. A negative acknowledgement should not be returned to an `I_UNLINK`. The stream head ensures that the lower stream is connected to a multiplexer before sending an `I_UNLINK M_IOCTL`.

Drivers can handle the persistent link requests `I_PLINK` and `I_PUNLINK` `ioctl(2)` in the same manner, except that `l_qtop` in the `linkblk` structure passed to the `put` routine is `NULL` instead of identifying the controlling stream.

`muxwput` handles `M_FLUSH` messages as a normal driver does, except that there are no messages queued on the upper read queue, so there is no need to call `flushq` if `FLUSHR` is set.

`M_DATA` messages are not placed on the lower write message queue. They are queued on the upper write message queue. When flow control subsides on the lower stream, the lower service procedure, `muxlwsrv`, is scheduled to start output. This is similar to starting output on a device driver.



## Upper Write service Procedure Sample

The following example shows the code for the upper multiplexer write service procedure:

### EXAMPLE 66 Upper Multiplexer Write Service Procedure

```
static int muxuwsrv(queue_t *q)
{
    mblk_t *mp;
    struct mux *mup;
    mup = (struct mux *)q->q_ptr;

    if (!muxbot) {
        flushq(q, FLUSHALL);
        return (0);
    }
    if (muxerr) {
        flushq(q, FLUSHALL);
        return (0);
    }
    while (mp = getq(q)) {
        if (canputnext(muxbot))
            putnext(muxbot, mp);
        else {
            putbq(q, mp);
            return(0);
        }
    }
    return (0);
}
```

As long as there is a stream still linked under the multiplexer and there are no errors, the service procedure will take a message off the queue and send it downstream, if flow control allows.

## Lower Write service Procedure

`muxlwsrv`, the lower (linked) queue write service procedure is scheduled as a result of flow control subsiding downstream (it is back-enabled).

```
static int muxlwsrv(queue_t *q)
{
    int i;
```

```
for (i = 0; i < mux_cnt; i++)
    if (mux_mux[i].qptr && mux_mux[i].qptr->q_first)
        qenable(mux_mux[i].qptr);
return (0);
}
```

`muxlwr` steps through all possible upper queues. If a queue is active and there are messages on the queue, then its upper write service procedure is enabled through `qenable`.

## Lower Read put Procedure

The lower (linked) queue read put procedure is shown in the following example:

### EXAMPLE 67 Lower Read put Procedure

```
static int
muxlwrput(queue_t *q, mblk_t *mp)
{
    queue_t *uq;
    int device;

    if(muxerr) {
        freemsg(mp);
        return (0);
    }

    switch(mp->b_datap->db_type) {
    case M_FLUSH:
        /*
         * Flush queues. NOTE: sense of tests is reversed
         * since we are acting like a "stream head"
         */
        if (*mp->b_rptr & FLUSHW) {
            *mp->b_rptr &= ~FLUSHR;
            qreply(q, mp);
        } else
            freemsg(mp);
        break;
    case M_ERROR:
    case M_HANGUP:
        muxerr = 1;
        freemsg(mp);
        break;
    case M_DATA:
```

```

/*
 * Route message. First byte indicates
 * device to send to. No flow control.
 *
 * Extract and delete device number. If the
 * leading block is now empty and more blocks
 * follow, strip the leading block.
 */
device = *mp->b_rptr++;

/* Sanity check. Device must be in range */
if (device < 0 || device >= mux_cnt) {
    freemsg(mp);
    break;
}
/*
 * If upper stream is open and not backed up,
 * send the message there, otherwise discard it.
 */
uq = mux_mux[device].qptr;
if (uq != NULL && canputnext(uq))
    putnext(uq, mp);
else
    freemsg(mp);
    break;
default:
    freemsg(mp);
}
return (0);
}

```

`muxlrput` receives messages from the linked stream. In this case, it is acting as a stream head and handles `M_FLUSH` messages. The code is the reverse of a driver, handling `M_FLUSH` messages from upstream. There is no need to flush the read queue because no data is ever placed in it.

`muxlrput` also handles `M_ERROR` and `M_HANGUP` messages. If one is received, it locks up the upper streams by setting `muxerr`.

`M_DATA` messages are routed by checking the first data byte of the message. This byte contains the minor device of the upper stream. Several checks examine whether:

- The device is in range
- The upper stream is open
- The upper stream is full

This multiplexer does not support flow control on the read side; it is merely a router. If the message passes all checks, it is put to the proper upper queue. Otherwise, the message is discarded.

The upper stream `close` routine clears the mux entry so this queue will no longer be found. Outstanding bufcalls are not cleared.

```
/*
 * Upper queue close
 */
static int
muxclose(queue_t *q, int flag, cred_t *credp)
{
    struct mux *mux;

    mux = (struct mux *) q->q_ptr;
    qprocsoff(q);
    if (mux->bufcid != 0)
        unbufcall(mux->bufcid);
    mux->bufcid = 0;
    mux->ptr = NULL;
    q->q_ptr = NULL;
    WR(q)->q_ptr = NULL;
    return(0);
}
```

## Persistent Links

Keeping a process running merely to hold the multiplexer configuration together is not always desirable, so, "free standing" links below a multiplexer are needed. A persistent link is such a link. It is similar to a STREAMS multiplexer link except that a process is not needed to hold the links together. After the multiplexer has been set up, the process may close all file descriptors and exit, and the multiplexer remains intact.

With `I_LINK` and `I_UNLINK` [ioctl\(2\)](#) the file descriptor associated with the stream above the multiplexer used to set up the lower multiplexer connections must remain open for the duration of the configuration. Closing the file descriptor associated with the controlling stream dismantles the whole multiplexing configuration.

Two [ioctl\(2\)](#)s, `I_PLINK` and `I_PUNLINK`, are used to create and remove persistent links that are associated with the stream above the multiplexer. [close\(2\)](#) and `I_UNLINK` are not able to disconnect the persistent links (see [strconf\(1\)](#) and [strchg\(1\)](#)).

The format of `I_PLINK` is:

```
ioctl(fd0, I_PLINK, fd1)
```

The first file descriptor, `fd0`, must reference the stream connected to the multiplexing driver and the second file descriptor, `fd1`, must reference the stream to be connected below the multiplexer. The persistent link can be created as follows:

```
upper_stream_fd = open("/dev/mux", O_RDWR);
lower_stream_fd = open("/dev/driver", O_RDWR);
muxid = ioctl(upper_stream_fd, I_PLINK, lower_stream_fd);
/*
 * save muxid in a file
 */
exit(0);
```

The persistent link can still exist even if the file descriptor associated with the upper stream to the multiplexing driver is closed. The `I_PLINK ioctl(2)` returns an integer value, `muxid`, that can be used for dismantling the multiplexing configuration. If the process that created the persistent link still exists, it may pass the `muxid` value to some other process to dismantle the link, if the dismantling is desired, or it can leave the `muxid` value in a file so that other processes may find it later.

Several users can open the MUX driver and send data to Driver1 since the persistent link to Driver1 remains intact.

The `I_PUNLINK ioctl(2)` is used to dismantle the persistent link. Its format is:

```
ioctl(fd0, I_PUNLINK, muxid)
```

where `fd0` is the file descriptor associated with stream connected to the multiplexing driver from above. The `muxid` is returned by the `I_PLINK ioctl(2)` for the stream that was connected below the multiplexer. `I_PUNLINK` removes the persistent link between the multiplexer referenced by `fd0` and the stream to the driver designated by the `muxid`. Each of the bottom persistent links can be disconnected individually. An `I_PUNLINK ioctl(2)` with the `muxid` value of `MUXID_ALL` will remove all persistent links below the multiplexing driver referenced by `fd0`.

The following code example shows how to dismantle the previously given configuration:

```
fd = open("/dev/mux", O_RDWR);
/*
 * retrieve muxid from the file
 */
ioctl(fd, I_PUNLINK, muxid);
exit(0);
```

Do not use the `I_PLINK` and `I_PUNLINK` `ioctl`s with `I_LINK` and `I_UNLINK`. Any attempt to unlink a regular link with `I_PUNLINK` or to unlink a persistent link with the `I_UNLINK ioctl(2)` causes the `errno` value of `EINVAL` to be returned.

Because multilevel multiplexing configurations are allowed in STREAMS, persistent links could exist below a multiplexer whose stream is connected to the above multiplexer by regular links. Closing the file descriptor associated with the controlling stream will remove the regular link but not the persistent links below it. On the other hand, regular links are allowed to exist below a multiplexer whose stream is connected to the above multiplexer with persistent links. In this case, the regular links will be removed if the persistent link above is removed and no other references to the lower streams exist.

The construction of cycles is not allowed when creating links. A cycle could be constructed by:

1. Creating a persistent link of multiplexer 2 below multiplexer 1
2. Closing the controlling file descriptor associated with the multiplexer 2
3. Reopening the file descriptor again
4. Linking the multiplexer 1 below the multiplexer 2

This is not allowed. The operating system prevents a multiplexer configuration from containing a cycle to ensure that messages cannot be routed infinitely, which would create an infinite loop or overflow the kernel stack.

## Design Guidelines

The following are general multiplexer design guidelines:

- The upper half of the multiplexer acts like the end of the upper stream. The lower half of the multiplexer acts like the head of the lower stream. Service procedures are used for flow control.
- Message routing is based on multiplexer-specific criteria.
- When one stream is being fed by many streams, flow control may have to take place. Then all feeding streams on the other end of the multiplexer have to be enabled when the flow control is relieved.
- When one stream is feeding many streams, flow control may also have to take place. Be careful not to starve other streams when one becomes flow controlled.
- Upper and lower multiplexers share the same perimeter type and concurrency level. (See [“MT STREAMS Perimeters” on page 266](#) for information about perimeters.)

## PART III

# STREAMS Advanced Topics

Part III of this guide contains examples in [Chapter 14, “Debugging STREAMS-based Applications”](#), which describes the tools available for debugging STREAMS-based applications.





## Debugging STREAMS-based Applications

---

This chapter describes some of the tools available to assist in debugging STREAMS-based applications. It contains the following information:

- “Kernel Debug Printing” on page 321
- “STREAMS Error and Trace Logging” on page 322
- “Kernel Examination Tools” on page 323

### Kernel Debug Printing

The kernel routine `cmn_err(9F)` enables printing of formatted strings on a system console. It displays a specified message on the console and can also store it in the `msgbuf` that is a circular array in the kernel. The format of `cmn_err(9F)` is:

```
#include <sys/cmn_err.h>

void cmn_err (int level, char *fmt, int args)
```

where *level* can take the following values:

- `CE_CONT` – May be used as simple `printf(3C)`. It is used to continue another message or to display an informative message not associated with an error.
- `CE_NOTE` – Reports system events. It is used to display a message preceded by `NOTICE: .` This message is used to report system events that do not necessarily require user action, but may interest the system administrator. An example is a sector on a disk needing to be accessed repeatedly before it can be accessed correctly.
- `CE_WARN` – Reports system events that require user action. This is used to display a message preceded by `WARNING: .` This message is used to report system events that require immediate attention, such as those where, if an action is not taken, the system may panic. For example, when a peripheral device does not initialize correctly, this level should be used.
- `CE_PANIC` – Reports system panic. This is used to display a message preceded with `PANIC: .` Drivers should specify this level only under the most severe conditions. A valid use of

this level is when the system cannot continue to function. If the error is recoverable and not essential to continued system operation, do not panic the system. This level halts all processing.

*fmt* and *args* are passed to the kernel routine `printf` that runs at `splhi` and should be used sparingly. If the first character of *fmt* is `!` (an exclamation point), output is directed to `msgbuf`. `msgbuf` can be accessed with the `crash` command. If the destination character begins with `^` (a caret) output goes to the console. If no destination character is specified, the message is directed to both the `msgbuf` array and the console.

`cmn_err(9F)` appends each *fmt* with `"\n"`, except for the `CE_CONT` level, even when a message is sent to the `msgbuf` array. *args* specifies a set of arguments passed when the message is displayed. Valid specifications are `%s` (string), `%u` (unsigned decimal), `%d` (decimal), `%o` (octal), and `%x` (hexadecimal). `cmn_err(9F)` does not accept length specifications in conversion specifications. For example, `%3d` is ignored.

---

**Note** - `crash` has reached EOL; for information about how to transition from `crash` to `mdb`, see the [Oracle Solaris Modular Debugger Guide](#).

---

## STREAMS Error and Trace Logging

STREAMS error and trace loggers are provided for debugging and for administering STREAMS modules and drivers. This facility consists of `log(7D)`, `strace(1M)`, `strclean(1M)`, `strerr(1M)`, and `strlog(9F)`.

Any module or driver in any stream can call the STREAMS logging function `strlog(9F)` (see also `log(7D)`). `strlog(9F)` sends formatted text to the error logger `strerr(1M)`, the trace logger `strace(1M)`, or the console logger.

`strerr(1M)` runs as a daemon process initiated at system startup. A call to `strlog(9F)` requesting an error to be logged causes an `M_PROTO` message to be sent to `strerr(1M)`, which formats the contents and places them in a daily file. `strclean(1M)` purges daily log files that have not been modified for three days.

`strlog(9F)` also sends a similar `M_PROTO` message to `strace(1M)`, which places it in a user-designated file. `strace(1M)` is initiated by a user. The user designates the modules and drivers and the severity level of the messages accepted for logging by `strace(1M)`.

A user process can submit its own `M_PROTO` messages to the log driver for inclusion in the logger of its choice through `putmsg(2)`. The messages must be in the same format required by the logging processes and are switched to the loggers requested in the message.

The output to the log files is formatted ASCII text. The files can be processed by standard system commands such as [grep\(1\)](#) or by developer-provided routines.

## Kernel Examination Tools

Use `crash`, `adb`, and [kadb\(1M\)](#) to examine the kernel.

### crash Command

`crash` examines kernel structures interactively. It can be used on a system dump and on an active system.

---

**Note** - `crash` has reached EOL; for information about how to transition from `crash` to `mdb`, see the *Oracle Solaris Modular Debugger Guide*.

---

The following `crash` functions are related to STREAMS:

- `dbfree` – Print data block header free list.
- `dblock` – Print allocated STREAMS data block headers.
- `linkblk` – Print the [linkblk\(9S\)](#) table.
- `mbfree` – Print free STREAMS message block headers.
- `mblock` – Print allocated STREAMS message block headers.
- `pty` – Print pseudo-TTYs now configured. The `l` option gives information on the line discipline module. [ldterm\(7M\)](#), the `h` option provides information on the pseudo-TTY emulation module [ptem\(7M\)](#). The `s` option gives information on the packet module [pckt\(7M\)](#).
- `qrun` – Print a list of scheduled queues.
- `queue` – Print the STREAMS queues.
- `stream` – Print the `stdata` table.
- `strstat` – Print STREAMS statistics.
- `tty` – Print the `tty` table. The `l` option prints details about the line-discipline module.

The `crash` functions `dblock`, `linkblk`, `mblock`, `queue`, and `stream` take an optional table entry argument or address that is the address of the data structure. The `strstat` command gives information about STREAMS event cells and `linkblks` in addition to message blocks, data blocks, queues, and streams. On the output report, the `CONFIG` column represents the

number of structures currently configured. It may change because resources are allocated as needed.

## adb Command

adb is an interactive general-purpose debugger. It can be used to examine files and provides a controlled environment for the execution of programs. It has no support built in for any STREAMS functionality.

---

**Note** - adb has reached EOL; for information about how to transition from adb to mdb, see the *Oracle Solaris Modular Debugger Guide*.

---

## kadb Command

[kadb\(1M\)](#) is an interactive debugger with a user interface similar to [adb\(1\)](#), but it runs in the same virtual address space as the program being debugged. It also has no specific STREAMS support.

## PART IV

### STREAMS Appendixes

Part IV of this guide contains appendixes that summarize message types, kernel utility interfaces, the STREAMS-based terminal subsystem, and frequently asked questions.

[Appendix A, “Message Types”](#) provides a summary of ordinary and high-priority messages..

[Appendix B, “Kernel Utility Interface Summary”](#) provides a summary of the kernel utility interfaces.

[Appendix C, “STREAMS-Based Terminal Subsystem”](#) describes how a terminal subsystem is set up and how interrupts are handled.

[Appendix D, “STREAMS FAQ”](#) provides a collection of frequently asked questions.



## Message Types

---

STREAMS message types differ in their intended purposes, their treatment at the stream head, and their message-queueing priority.

STREAMS does not prevent a module or driver from generating any message type and sending it in any direction on the stream. However, established processing and direction rules should be observed. Stream head processing according to message type is fixed, although certain parameters can be altered.

- [“Ordinary Messages” on page 327](#)
- [“High-Priority Messages” on page 336](#)

### Ordinary Messages

The message types found in `sys/stream.h` are described in this appendix, classified according to their message queueing priority. Ordinary messages are described first, with high-priority messages following. In certain cases, two message types may perform similar functions, differing only in priority. Message construction is described in [Chapter 3, “STREAMS Application-Level Mechanisms”](#). The use of the word *module* generally implies *module* or *driver*.

Ordinary messages are also called normal or nonpriority messages. Ordinary messages are subject to flow control whereas high-priority messages are not.

### M\_BREAK Message

Sent to a driver to request that BREAK be transmitted on whatever media the driver is controlling.

The message format is not defined by STREAMS and its use is developer dependent. This message may be considered a special case of an M\_CTL message. An M\_BREAK message cannot be generated by a user-level process and is always discarded if passed to the stream head.

## M\_CTL Message

Generated by modules that send information to a particular module or type of module. M\_CTL messages are typically used for intermodule communication, as when adjacent STREAMS protocol modules negotiate the terms of their interface. An M\_CTL message cannot be generated by a user-level process and is always discarded if passed to the stream head.

## M\_DATA Message

Contains ordinary data. Messages allocated by [allocb\(9F\)](#) are M\_DATA type by default. M\_DATA messages are generally sent bidirectionally on a stream and their contents can be passed between a process and the stream head. In the [getmsg\(2\)](#) and [putmsg\(2\)](#) system calls, the contents of M\_DATA message blocks are referred to as the data part. Messages composed of multiple message blocks typically have M\_DATA as the message type for all message blocks following the first.

## M\_DELAY Message

Sent to a media driver to request a real-time delay on output. The data buffer associated with this message is expected to contain an integer to indicate the number of machine cycles of delay desired. M\_DELAY messages are typically used to prevent transmitted data from exceeding the buffering capacity of slower terminals.

The message format is not defined by STREAMS and its use is developer dependent. Not all media drivers may understand this message. This message may be considered a special case of an M\_CTL message. An M\_DELAY message cannot be generated by a user-level process and is always discarded if passed to the stream head.

## M\_IOCTL Message

Generated by the stream head in response to I\_STR, I\_LINK, I\_UNLINK, I\_PLINK, and I\_PUNLINK ioctls (see [streamio\(7I\)](#)). This message is also generated in response to ioctl calls that



contain a command argument value not defined in [streamio\(7I\)](#). When one of these [ioctl\(2\)](#) is received from a user process, the stream head uses values supplied in the call and values from the process to create an `M_IOCTL` message containing them, then sends the message downstream. `M_IOCTL` messages perform the general [ioctl\(2\)](#) functions of character device drivers.

For an `I_STR` [ioctl\(2\)](#), the user values are supplied in a structure of the following form, provided as an argument to the [ioctl\(2\)](#) call (see `I_STR` in [streamio\(7I\)](#)):

```
struct strioctl
{
    int    ic_cmd;        /* downstream request */
    int    ic_timeout;   /* ACK/NAK timeout */
    int    ic_len;       /* length of data arg */
    char  *ic_dp;        /* ptr to data arg */
};
```

where `ic_cmd` is the request (or command) defined by a downstream module or driver, `ic_timeout` is the time the stream head waits for acknowledgement to the `M_IOCTL` message before timing out, and `ic_dp` points to an optional data buffer. On input, `ic_len` contains the length of the data in the buffer that was passed in. On return from the call, it contains the length of the data, if any, being returned to the user in the same buffer.

The `M_IOCTL` message format is one `M_IOCTL` message block followed by zero or more `M_DATA` message blocks. STREAMS constructs an `M_IOCTL` message block by placing an [iocblk\(9S\)](#) structure, defined in `<sys/stream.h>`, in its data buffer. The [iocblk\(9S\)](#) structure differs for 64-bit and 32-bit architectures.

```
#if defined(_LP64)
struct iocblk {
    int    ioc_cmd;        /* ioctl command type */
    cred_t *ioc_cr;       /* full credentials */
    uint   ioc_id;        /* ioctl id */
    uint   ioc_flag;      /* see below */
    size_t ioc_count;     /* count of bytes in data field */
    int    ioc_rval;      /* return value */
    int    ioc_error;     /* error code */
};
#else
struct iocblk {
    int    ioc_cmd;        /* ioctl command type */
    cred_t *ioc_cr;       /* full credentials */
    uint   ioc_id;        /* ioctl id */
    size_t ioc_count;     /* count of bytes in data field */
    int    ioc_error;     /* error code */
    int    ioc_rval;      /* return value */
    intt   ioc_fill1;
    uint   ioc_flag;      /* see below */
};
```

```

    int    ioc_filler[2]; /* reserved for future use */
};
#endif /* _LP64 */

```

For an `I_STR ioctl(2)`, `ioc_cmd` corresponds to `ic_cmd` of the `striocctl` structure. `ioc_cr` points to a credentials structure defining the user process's permissions (see `cred.hfile`). Its contents can be tested to determine whether the user issuing the `ioctl(2)` call is authorized to do so. For an `I_STR ioctl(2)`, `ioc_count` is the number of data bytes, if any, contained in the message and corresponds to `ic_len`.

`ioc_id` is an identifier generated internally, and is used by the stream head to match each `M_IOCTL` message sent downstream with response messages sent upstream to the stream head. The response message that completes the stream-head processing for the `ioctl(2)` is an `M_IOCACK` (positive acknowledgement) or an `M_IOCNAK` (negative acknowledgement) message.

For an `I_STR ioctl(2)`, if a user supplies data to be sent downstream, the stream head copies the data (pointed to by `ic_dp` in the `striocctl` structure) into `M_DATA` message blocks and links the blocks to the initial `M_IOCTL` message block. `ioc_count` is copied from `ic_len`. If there are no data, `ioc_count` is zero.

If the stream head does not recognize the command argument of an `ioctl(2)`, the head creates a transparent `M_IOCTL` message. The format of a transparent `M_IOCTL` message is one `M_IOCTL` message block followed by one `M_DATA` block. The form of the `iocblk` structure is the same as above. However, `ioc_cmd` is set to the value of the command argument in the `ioctl(2)` and `ioc_count` is set to `TRANSPARENT`, defined in `<sys/stream.h>`. `TRANSPARENT` distinguishes the case where an `I_STR ioctl(2)` specifies a value of `ioc_cmd` equivalent to the command argument of a transparent `ioctl(2)`. The `M_DATA` block of the message contains the value of the `arg` parameter in the `ioctl(2)`.

The first module or driver that understands the `ioc_cmd` request contained in the `M_IOCTL` acts on it. For an `I_STR ioctl(2)`, this action generally includes an immediate upstream transmission of an `M_IOCACK` message. For transparent `M_IOCTLs`, this action generally includes the upstream transmission of an `M_COPYIN` or `M_COPYOUT` message.

Intermediate modules that do not recognize a particular request must pass the message on. If a driver does not recognize the request, or the receiving module can not acknowledge it, an `M_IOCNAK` message must be returned.

`M_IOCACK` and `M_IOCNAK` message types have the same format as an `M_IOCTL` message and contain an `iocblk` structure in the first block. An `M_IOCACK` block may be linked to following `M_DATA` blocks. If one of these messages reaches the stream head with an identifier that does not match that of the currently outstanding `M_IOCTL` message, the response message is discarded. A common means of ensuring that the correct identifier is returned is for the replying module

to convert the `M_IOCTL` message into the appropriate response type and set `ioc_count` to 0 if no data is returned. Then, `qreply(9F)` is used to send the response to the stream head.

In an `M_IOCACK` or `M_IOCNAK` message, `ioc_error` holds any return error condition set by a downstream module. If this value is non-zero, it is returned to the user in `errno`. Note that both an `M_IOCNAK` and an `M_IOCACK` can return an error. However, only an `M_IOCACK` can have a return value. For an `M_IOCACK`, `ioc_rval` holds any return value set by a responding module. For an `M_IOCNAK`, `ioc_rval` is ignored by the stream head.

If a module processing an `I_STR ioctl(2)` is sending data to a user process, it must use the `M_IOCACK` message that it constructs such that the `M_IOCACK` block is linked to one or more following `M_DATA` blocks containing the user data. The module must set `ioc_count` to the number of data bytes sent. The stream head places the data in the address pointed to by `ic_dp` in the user `I_STR strioctl` structure.

A module processing a transparent `ioctl(2)` that is sending data to a user process can use only an `M_COPYOUT` message. For a transparent `ioctl(2)`, no data can be sent to the user process in an `M_IOCACK` message. All data must be sent in a preceding `M_COPYOUT` message. The stream head ignores any data contained in an `M_IOCACK` message (in `M_DATA` blocks) and frees the blocks.

No data can be sent with an `M_IOCNAK` message for any type of `M_IOCTL`. The stream head ignores and frees any `M_DATA` blocks.

The stream head blocks the user process until an `M_IOCACK` or `M_IOCNAK` response to the `M_IOCTL` (same `ioc_id`) is received. For an `M_IOCTL` generated from an `I_STR ioctl(2)`, the stream head times out if no response is received in `ic_timeout` interval (the user can specify an explicit interval or specify use of the default interval). For `M_IOCTL` messages generated from all other `ioctl(2)s`, the default (infinite) is used.

## M\_PASSFP Message

The `M_PASSFP` message passes a file pointer from the stream head at one end of a stream pipe to the stream head at the other end of the same stream pipe.

The message is generated as a result of an `I_SENDFD ioctl(2)` (see `streamio(7I)`) issued by a process to the sending stream head. `STREAMS` places the `M_PASSFP` message directly on the destination stream head's read queue to be retrieved by an `_RECVFD ioctl(2)` (see `streamio(7I)`). The message is placed without passing it through the stream (that is, it is not seen by any modules or drivers in the stream). This message should never be present on any queue except the read queue of a stream head. Consequently, modules and drivers do not need to recognize this message, and it can be ignored by module and driver developers.

## M\_PROTO Message

The M\_PROTO message contains control information and associated data. The message format is one or more M\_PROTO message blocks followed by zero or more M\_DATA message blocks. The semantics of the M\_DATA and M\_PROTO message blocks are determined by the STREAMS module that receives the message.

---

**Note** - On the write side, the user can only generate M\_PROTO messages containing one M\_PROTO message block.

---

The M\_PROTO message block typically contains implementation dependent control information. M\_PROTO messages are generally sent bidirectionally on a stream, and their contents can be passed between a process and the stream head. The contents of the first message block of an M\_PROTO message is generally referred to as the control part, and the contents of any following M\_DATA message blocks are referred to as the data part. In the [getmsg\(2\)](#) and [putmsg\(2\)](#), the control and data parts are passed separately.

The format of M\_PROTO and M\_PCPROTO (generically PROTO) messages sent upstream to the stream head allows multiple PROTO blocks at the beginning of the message although its use is not recommended. [getmsg\(2\)](#) compacts the blocks into a single control part when passing them to the user process.

## M\_RSE Message

This message is reserved for internal use. Modules that do not recognize this message must pass it on. Drivers that do not recognize it must free it.

## M\_SETOPTS Message

This message is used to alter some characteristics of the stream head. It is generated by any downstream module, and is interpreted by the stream head. The data buffer of the message has the following structure, as defined in `stream.h`:

```
struct stroptions {
    uint    so_flags;        /* options to set */
    short   so_readopt;     /* read option */
}
```

```

ushort   so_wroff;        /* write offset */
ssize_t  so_minpsz;      /* minimum read packet size */
ssize_t  so_maxpsz;      /* maximum read packet size */
size_t   so_hiwat;       /* read queue high-water mark */
size_t   so_lowat;       /* read queue low-water mark */
unsigned char so_band;    /* band for water marks */
ushort   so_erropt;      /* error option */
ssize_t  so_maxblk;      /* maximum message block size */
ushort   so_copyopt;     /* copy options (see stropts.h) */
};

```

where `so_flags` specifies which options are to be altered, and can be any combination of the following:

- `SO_ALL` – Update all options according to the values specified in the remaining fields of the `stroptions` structure.
- `SO_READOPT` – Set the read mode (see [read\(2\)](#)) as specified by the value of `so_readopt` to:
  - `RNORM` – Byte stream
  - `RMSGD` – Message discard
  - `RMSGN` – Message non-discard
  - `RPROTNORM` – Normal protocol
  - `RPROTDAT` – Turn `M_PROTO` and `M_PCPROTO` msgs into `M_DATA` msgs
  - `RPROTDIS` – Discard `M_PROTO` and `M_PCPROTO` blocks in a `msg` and retain any linked `M_DATA` blocks
- `SO_WROFF` – Direct the stream head to insert an offset (unwritten area), specified by `so_wroff` into the first message block of all `M_DATA` messages created as a result of a [write\(2\)](#). The same offset is inserted into the first `M_DATA` message block, if any, of all messages created by a `putmsg` system call. The default offset is zero.

The offset must be less than the maximum message buffer size (system dependent). Under certain circumstances, a write offset may not be inserted. A module or driver must test that `b_rptr` in the [msgb\(9S\)](#) structure is greater than `db_base` in the [datab\(9S\)](#) structure to determine that an offset has been inserted in the first message block.

- `SO_MINPSZ` – Change the minimum packet size value associated with the stream head read queue to `so_minpsz`. This value is advisory for the module immediately below the stream head. It should limit the size of `M_DATA` messages that the module should put to the stream head. There is no intended minimum size for other message types. The default value in the stream head is zero.
- `SO_MAXPSZ` – Change the maximum packet size value associated with the stream head read queue to `so_maxpsz`. This value is advisory for the module immediately below the stream head. It should limit the size of `M_DATA` messages that the module should put to the stream

head. There is no intended maximum size for other message types. The default value in the stream head is INFP SZ, the maximum STREAMS allows.

- `SO_HIWAT` – Change the flow control high-water mark (`q_hiwat` in the [queue\(9S\)](#) structure, `qb_hiwat` in the [qband\(9S\)](#) structure) on the stream-head read queue to the value specified in `so_hiwat`.
- `SO_LOWAT` – Change the flow control low-water mark (`q_lowat` in the [queue\(9S\)](#) structure, `qb_lowat` in the [qband\(9S\)](#) structure) on the stream-head read queue to the value specified in `so_lowat`.
- `SO_MREADON` – Enable the stream head to generate `M_READ` messages when processing a [read\(2\)](#) system call. If both `SO_MREADON` and `SO_MREADOFF` are set in `so_flags`, `SO_MREADOFF` takes precedence.
- `SO_MREADOFF` – Disable the stream head generation of `M_READ` messages when processing a [read\(2\)](#) system call. This is the default. If both `SO_MREADON` and `SO_MREADOFF` are set in `so_flags`, `SO_MREADOFF` takes precedence.
- `SO_NDELO` – Set non-STREAMS TTY semantics for `O_NDELAY`(or `O_NONBLOCK`) processing on [read\(2\)](#) and [write\(2\)](#). If `O_NDELAY`(or `O_NONBLOCK`) is set, a [read\(2\)](#) returns 0 if no data is waiting to be read at the stream head. If `O_NDELAY`(or `O_NONBLOCK`) is clear, a [read\(2\)](#) blocks until data become available at the stream head. (See note below.)

Regardless of the state of `O_NDELAY` (or `O_NONBLOCK`), a [write\(2\)](#) blocks on flow control and blocks if buffers are not available.

If both `SO_NDELO` and `SO_NDELOFF` are set in `so_flags`, `SO_NDELOFF` takes precedence.

---

**Note** - For conformance with the POSIX standard, new applications should use the `O_NONBLOCK` flag whose behavior is the same as that of `O_NDELAY` unless otherwise noted.

---

- `SO_NDELOFF` – Set STREAMS semantics for `O_NDELAY` (or `O_NONBLOCK`) processing on [read\(2\)](#) and [write\(2\)](#) system calls. If `O_NDELAY`(or `O_NONBLOCK`) is set, a [read\(2\)](#) will return -1 and set `EAGAIN` if no data is waiting to be read at the stream head. If `O_NDELAY` (or `O_NONBLOCK`) is clear, a [read\(2\)](#) blocks until data become available at the stream head. (See note above.)

If `O_NDELAY` (or `O_NONBLOCK`) is set, a [write\(2\)](#) returns -1 and sets `EAGAIN` if flow control is in effect when the call is received. It blocks if buffers are not available. If `O_NDELAY` (or `O_NONBLOCK`) is set, part of the buffer has been written, and a flow control or "buffers not available" condition is encountered, [write\(2\)](#) terminates and returns the number of bytes written.

If `O_NDELAY` (or `O_NONBLOCK`) is clear, a [write\(2\)](#) will block on flow control and will block if buffers are not available.

This is the default. If both `SO_NDELO` and `SO_NDELOFF` are set in `so_flags`, `SO_NDELOFF` takes precedence.

In the STREAMS-based pipe mechanism, the behavior of `read(2)` and `write(2)` is different for the `O_NDELAY` and `O_NONBLOCK` flags.

- `SO_BAND` – Set watermarks in a band. If the `SO_BAND` flag is set with the `SO_HIWAT` or `SO_LOWAT` flag, the `so_band` field contains the priority band number related to the `so_hiwat` and `so_lowat` fields.

If the `SO_BAND` flag is not set and the `SO_HIWAT` and `SO_LOWAT` flags are on, the normal high-water and low-water marks are affected. The `SO_BAND` flag has no effect if `SO_HIWAT` and `SO_LOWAT` flags are off.

Only one band's water marks can be updated with a single `M_SETOPTS` message.

- `SO_ISTTY` – Inform the stream head that the stream is acting like a controlling terminal.
- `SO_ISNTTY` – Inform the stream head that the stream is no longer acting like a controlling terminal.

For `SO_ISTTY`, the stream may be allocated as a controlling terminal via an `M_SETOPTS` message arriving upstream during open processing. If the stream head is opened before receiving this message, the stream will not be allocated as a controlling terminal until it is queued again by a session leader.

- `SO_TOSTOP` – Stop on background writes to the stream.
- `SO_TONSTOP` – Do not stop on background writes to the stream. `SO_TOSTOP` and `SO_TONSTOP` are used in conjunction with job control.
- `SO_DELIM` – Messages are delimited.
- `SO_NODELIM` – Messages are not delimited.
- `SO_STRHOLD` – Enable `strwrite` message coalescing.

## M\_SIG Message

The `M_SIG` message is sent upstream by modules or drivers to post a signal to a process. When the message reaches the front of the stream-head read queue, it evaluates the first data byte of the message as a signal number, defined in `<sys/signal.h>`. (The signal is not generated until it reaches the front of the stream-head read queue.) The associated signal will be sent to processes under the following conditions:

- If the signal is `SIGPOLL`, it is sent only to those processes that have explicitly registered to receive the signal (see `I_SETSIG` in [streamio\(7I\)](#)).
- If the signal is not `SIGPOLL` and the stream containing the sending module or driver is a controlling TTY, the signal is sent to the associated process group. A stream becomes the controlling TTY for its process group if, on [open\(2\)](#) a module or driver sends an `M_SETOPTS` message to the stream head with the `SO_ISTTY` flag set.

- If the signal is not SIGPOLL and the stream is not a controlling TTY, no signal is sent, except in case of SIOCSPGRP and TIOCSPGRP. These two `ioctl`s set the process group field in the stream head so the stream can generate signals even if it is not a controlling TTY.

## High-Priority Messages

High-priority messages are particularly suitable for acknowledging service requests when the acknowledgement should be placed ahead of any other messages at the stream head. High-priority messages are not subject to flow control.

### M\_COPYIN Message

The `M_COPYIN` message is generated by a module or driver and sent upstream to request that the stream head perform a [copyin\(9F\)](#) on behalf of the module or driver. It is valid only after receiving an `M_IOCTL` message and before an `M_IOCACK` or `M_IOCNAK`.

The message format is one `M_COPYIN` message block containing a [copyreq\(9S\)](#) structure, defined in `<sys/stream.h>`. Different structures are defined for 64-bit and 32-bit architectures.

```
#if defined(_LP64)
struct copyreq {
    int      cq_cmd;           /* ioctl command (from ioc_cmd) */
    cred_t   *cq_cr;          /* full credentials (from ioc_cmd) */
    uint     cq_id;           /* ioctl id (from ioc_id) */
    uint     cq_flag;         /* see below */
    mblk_t   *cq_private;     /* private state information */
    caddr_t  cq_addr;        /* address to copy data to/from */
    size_t   cq_size;        /* number of bytes to copy */
};
#else
struct copyreq {
    int      cq_cmd;           /* ioctl command (from ioc_cmd) */
    cred_t   *cq_cr;          /* full credentials */
    uint     cq_id;           /* ioctl id (from ioc_id) */
    caddr_t  cq_addr;        /* address to copy data to/from */
    size_t   cq_size;        /* number of bytes to copy */
    uint     cq_flag;         /* see below */
    mblk_t   *cq_private;     /* private state information */
    int      cq_filler[4];    /* reserved for future use */
};
#endif /* _LP64 */
```



The first four members of the structure correspond to those of the [iocblk\(9S\)](#) structure in the `M_IOCTL` message that allows the same message block to be reused for both structures. The stream head guarantees that the message block allocated for the `M_IOCTL` message is large enough to contain a [copyreq\(9S\)](#). The `cq_addr` field contains the user space address from which the data is to be copied. The `cq_size` field is the number of bytes to copy from user space. The `cq_flag` field is reserved for future use and should be set to zero.

This message should not be queued by a module or driver unless it intends to process the data for the [ioctl\(2\)](#).

## M\_COPYOUT Message

The `M_COPYOUT` message is generated by a module or driver and sent upstream to request that the stream head perform a [copyout\(9F\)](#) on behalf of the module or driver. It is valid only after receiving an `M_IOCTL` message and before an `M_IOCACK` or `M_IOCNAK`.

The message format is one `M_COPYOUT` message block followed by one or more `M_DATA` blocks. The `M_COPYOUT` message block contains a [copyreq\(9S\)](#) as described in the `M_COPYIN` message with the following differences: the `cq_addr` field contains the user space address to which the data is to be copied. The `cq_size` field is the number of bytes to copy to user space.

Data to be copied to user space is contained in the linked `M_DATA` blocks.

This message should not be queued by a module or driver unless it processes the data for the `ioctl` in some way.

---

**Note** - For more information, see `copyin` and `copyout` in [Writing Device Drivers for Oracle Solaris 11.3](#).

---

## M\_ERROR Message

The `M_ERROR` message is sent upstream by modules or drivers to report a downstream error condition. When the message reaches the stream head, the stream is marked so that all subsequent system calls issued to the stream, excluding [close\(2\)](#) and [poll\(2\)](#), fail with `errno` set to the first data byte of the message. `POLLERR` is set if the stream is being polled. All processes sleeping on a system call to the stream are awakened. An `M_FLUSH` message with `FLUSHRW` is sent downstream.

The stream head maintains two error fields, one for the read side and one for the write side. The one-byte format `M_ERROR` message sets both of these fields to the error specified by the first byte in the message.

There is also a two-byte format of the `M_ERROR` message. The first byte is the read error and the second byte is the write error. This enables modules to set a different error on the read side and write side. If one of the bytes is set to `NOERROR`, then the field for the corresponding side of the stream is unchanged. The module can then ignore an error on one side of the stream. For example, if the stream head was not in an error state and a module sent an `M_ERROR` message upstream with the first byte set to `EPROTO` and the second byte set to `NOERROR`, all subsequent read-like system calls (such as `read(2)` and `getmsg(2)`) fail with `EPROTO`, but all write-like system calls (such as `write(2)` and `putmsg(2)`) still succeed. If a byte is set to 0, the error state is cleared for the corresponding side of the stream. The values `NOERROR` and 0 are not valid for the one-byte form of the `M_ERROR` message.

## **M\_FLUSH Message**

The `M_FLUSH` message requests all modules and drivers that receive it to flush their message queues (discard all messages in those queues) as indicated in the message. An `M_FLUSH` can originate at the stream head, or in any module or driver. The first byte of the message contains flags that specify one of the following actions:

- `FLUSHR` – Flush the read queue of the module
- `FLUSHW` – Flush the write queue of the module
- `FLUSHRW` – Flush both the read queue and the write queue of the module
- `FLUSHBAND` – Flush the message according to the priority associated with the band

Each module passes this message to its neighbor after flushing its appropriate queues until the message reaches one of the ends of the stream.

Drivers are expected to include the following processing for `M_FLUSH` messages. When an `M_FLUSH` message is sent downstream through the write queues in a stream, the driver at the stream end discards it if the message action indicates that the read queues in the stream are not to be flushed (only `FLUSHW` set). If the message indicates that the read queues are to be flushed, the driver shuts off the `FLUSHW` flag, and sends the message up the stream's read queues.

When a flush message is sent up a stream's read side, the stream head checks to see if the write side of the stream is to be flushed. If only `FLUSHR` is set, the stream head discards the message. However, if the write side of the stream is to be flushed, the stream head sets the `M_FLUSH` flag to `FLUSHW` and sends the message down the stream's write side. All modules that queue messages must identify and process this message type.

If `FLUSHBAND` is set, the second byte of the message contains the value of the priority band to flush.

## M\_HANGUP Message

The `M_HANGUP` message is sent upstream by a driver to report that it can no longer send data upstream. For example, this might be due to an error, or to a remote line connection being dropped. When the message reaches the stream head, the stream is marked so that all subsequent `write(2)` and `putmsg(2)` calls issued to the stream will fail and return an `ENXIO` error. Those `ioctl`s that cause messages to be sent downstream are also failed. `POLLHUP` is set if the stream is being polled.

Subsequent `read(2)` or `getmsg(2)` calls to the stream will not generate an error. These calls will return any messages (according to their function) that were on, or in transit to, the stream-head read queue before the `M_HANGUP` message was received. When all such messages have been read, `read(2)` returns 0 and `getmsg(2)` will set each of its two length fields to 0.

This message also causes a `SIGHUP` signal to be sent to the controlling process instead of the foreground process group, as the allocation and deallocation of controlling terminals to a session is the responsibility of the controlling process.

## M\_IOCACK Message

The `M_IOCACK` message signals the positive acknowledgement of a previous `M_IOCTL` message. The message format is one `M_IOCACK` block (containing an `iocblk(9S)` structure, see `M_IOCTL`) followed by zero or more `M_DATA` blocks. The `iocblk(9S)` may contain a value in `ioc_rval` to be returned to the user process. It may also contain a value in `ioc_error` to be returned to the user process in `errno`.

If this message is responding to an `I_STR` `ioctl` (see `streamio(7I)`), it may contain data from the receiving module or driver to be sent to the user process. In this case, message format is one `M_IOCACK` block followed by one or more `M_DATA` blocks containing the user data. The stream head returns the data to the user if there is a corresponding outstanding `M_IOCTL` request. Otherwise, the `M_IOCACK` message is ignored and all blocks in the message are freed.

Data cannot be returned in an `M_IOCACK` message responding to a transparent `M_IOCTL`. The data must have been sent with preceding `M_COPYOUT` messages. If any `M_DATA` blocks follow the `M_IOCACK` block, the stream head ignores and frees them.

The format and use of this message type is described further under `M_IOCTL`.

## `M_IOCTLDATA` Message

The `M_IOCTLDATA` message is generated by the stream head and sent downstream as a response to an `M_COPYIN` or `M_COPYOUT` message. The message format is one `M_IOCTLDATA` message block followed by zero or more `M_DATA` blocks. The `M_IOCTLDATA` message block contains a [copyresp\(9S\)](#), defined in `sys/stream.h`.

```
#if defined(_LP64)
struct copyresp {
    int      cp_cmd;          /* ioctl command (from ioc_cmd) */
    cred_t   *cp_cr;         /* full credentials (from ioc_cmd) */
    uint     cp_id;          /* ioctl id (from ioc_id) */
    uint     cp_flag;        /* see above */
    mblk_t   *cp_private;    /* private state information */
    caddr_t  cp_rval;        /* status of request: 0 -> success */
                                /* non-zero -> failure */
};
#else
struct copyresp {
    int      cp_cmd;          /* ioctl command (from ioc_cmd) */
    cred_t   *cp_cr;         /* full credentials */
    uint     cp_id;          /* ioctl id (from ioc_id) */
    caddr_t  cp_rval        /* status of request: 0 -> success */
                                /* non-zero -> failure */

    size_t   cp_pad1;
    uint     cp_pad2;
    mblk_t   *cp_private;    /* private state information */
    uint     cp_flag;        /* see above */
    int      cp_filler[3];
};
#endif /* _LP64 */
```

The first three members of the structure correspond to those of the [iocblk\(9S\)](#) in the `M_IOCTL` message that allows the same message blocks to be reused for all of the related transparent messages (`M_COPYIN`, `M_COPYOUT`, `M_IOCACK`, `M_IOCNAK`). The `cp_rval` field contains the result of the request at the stream head. Zero indicates success and non-zero indicates failure. If failure is indicated, the module should not generate an `M_IOCNAK` message. It must abort all [ioctl\(2\)](#) processing, clean up its data structures, and return.

The `cp_private` field is copied from the `cq_private` field in the associated `M_COPYIN` or `M_COPYOUT` message. It is included in the `M_IOCTLDATA` message so the message can be self-describing. This is intended to simplify [ioctl\(2\)](#) processing by modules and drivers.

If the message is in response to an `M_COPYIN` message and success is indicated, the `M_IOCDATA` block is followed by `M_DATA` blocks containing the data copied in.

If an `M_IOCDATA` block is reused, any unused fields defined for the resultant message block should be cleared (particularly in an `M_IOCACK` or `M_IOCNAK`).

This message should not be queued by a module or driver unless it processes the data for the `ioctl` in some way.

## `M_IOCNAK` Message

The `M_IOCNAK` message signals the negative acknowledgement (failure) of a previous `M_IOCTL` message. Its form is one `M_IOCNAK` block containing an `iocblk(9S)`. The `iocblk(9S)` can contain a value in `ioc_error` to be returned to the user process in `errno`. Unlike the `M_IOCACK`, no user data or return value can be sent with this message. If any `M_DATA` blocks follow the `M_IOCNAK` block, the stream head ignores and frees them. When the stream head receives an `M_IOCNAK`, the outstanding `ioctl(2)` request, if any, fails. The format and use of this message type is described further under `M_IOCTL`.

## `M_PCPROTO` Message

The `M_PCPROTO` message is the same as the `M_PROTO` message type, except for the priority and the following additional attributes. When an `M_PCPROTO` message is placed on a queue, its service procedure is always enabled. The stream head allows only one `M_PCPROTO` message to be placed in its read queue at a time. If an `M_PCPROTO` message is already in the queue when another arrives, the second message is discarded and its message blocks freed.

This message is intended to allow data and control information to be sent outside the normal flow control constraints.

[getmsg\(2\)](#) and [putmsg\(2\)](#) refer to messages as high priority messages.

## `M_PCRSE` Message

The `M_PCRSE` message is reserved for internal use. Modules that do not recognize this message must pass it on. Drivers that do not recognize it must free it.

## M\_PCSIG Message

The M\_PCSIG message is the same as the M\_SIG message, except for the priority. M\_PCSIG is often preferable to M\_SIG especially in TTY applications, because M\_SIG may be queued while M\_PCSIG is more likely to get through quickly. For example, if an M\_SIG message is generated when the DEL (delete) key is pressed on the terminal and the user has already typed ahead, the M\_SIG message becomes queued and the user does not get the call until too late, becoming impossible to kill or interrupt a process by pressing a delete key.

## M\_READ Message

The M\_READ message is generated by the stream head and sent downstream for a [read\(2\)](#) if no messages are waiting to be read at the stream head and if read notification has been enabled. Read notification is enabled with the SO\_MREADON flag of the M\_SETOPTS message and disabled by use of the SO\_MREADOFF flag.

The message content is set to the value of the nbyte parameter (the number of bytes to be read) in [read\(2\)](#).

M\_READ notifies modules and drivers of the occurrence of a read. It also supports communication between streams that reside in separate processors. The use of the M\_READ message is developer dependent. Modules may take specific action and pass on or free the M\_READ message. Modules that do not recognize this message must pass it on. All other drivers may or may not take action and then free the message.

This message cannot be generated by a user-level process and should not be generated by a module or driver. It is always discarded if passed to the stream head.

## SO\_MREADOFF and M\_STOP Messages

The SO\_MREADOFF and M\_STOP messages request devices to start or stop their output. They are used to produce momentary pauses in a device's output, not to turn devices on or off.

The message format is not defined by STREAMS and its use is developer dependent. These messages may be considered special cases of an M\_CTL message. These messages cannot be generated by a user-level process and each is always discarded if passed to the stream head.

## **SO\_MREADOFFI and M\_STOPI Messages**

The SO\_MREADOFFI and M\_STOPI messages are the same as SO\_MREADOFF and M\_STOP except that SO\_MREADOFFI and M\_STOPI are used to start and stop input.

## **M\_UNHANGUP Message**

The M\_UNHANGUP message reconnects the carrier after it has been dropped.





◆◆◆ **B** APPENDIX B

## Kernel Utility Interface Summary

---

Use the following kernel utilities to develop and maintain drivers.

**TABLE 19** Kernel Utility Interfaces

Routine	Description
<a href="#">adjmsg(9F)</a>	Trim bytes in a message
<a href="#">allocb(9F)</a>	Allocate a message block
<a href="#">backq(9F)</a>	Get pointer to the queue behind a given queue
<a href="#">bcanput(9F)</a>	Test for flow control in a given priority band
<a href="#">bufcall(9F)</a>	Recover from failure of <a href="#">allocb(9F)</a>
<a href="#">canput(9F)</a>	Test for room in a queue
<a href="#">copymsg(9F)</a>	Copy a message
<a href="#">datamsg(9F)</a>	Test whether message is a data message
<a href="#">dupb(9F)</a>	Test whether thread can receive user-level signal
<a href="#">dupb(9F)</a>	Duplicate a message block descriptor
<a href="#">dupmsg(9F)</a>	Duplicate a message
<a href="#">enableok(9F)</a>	Re-allow a queue to be scheduled for service
<a href="#">esballoc(9F)</a>	Allocate message and data blocks
<a href="#">flushband(9F)</a>	Flush messages in a given priority band
<a href="#">flushq(9F)</a>	Flush a queue
<a href="#">freeb(9F)</a>	Free a message block
<a href="#">freemsg(9F)</a>	Free all message blocks in a message
<a href="#">freezestr(9F)</a>	Disable changes to the state of the stream
<a href="#">getq(9F)</a>	Get a message from a queue
<a href="#">insq(9F)</a>	Put a message at a specific place in a queue
<a href="#">linkb(9F)</a>	Concatenate two messages into one
<a href="#">msgsize(9F)</a>	Get the number of data bytes in a message
<a href="#">noenable(9F)</a>	Prevent a queue from being scheduled

---

<b>Routine</b>	<b>Description</b>
<a href="#">OTHERQ(9F)</a>	Get pointer to the queue's partner queue
<a href="#">pullupmsg(9F)</a>	Concatenate and align bytes in a message
<a href="#">putbq(9F)</a>	Return a message to the beginning of a queue
<a href="#">putctl(9F)</a>	Put a control message
<a href="#">putctl1(9F)</a>	Put a control message with a one-byte parameter
<a href="#">putnext(9F)</a>	Put a message to the next queue
<a href="#">putq(9F)</a>	Put a message on a queue
<a href="#">qbufcall(9F)</a>	Call a function when a buffer becomes available
<a href="#">qprocsoff(9F)</a>	Turn off queue processing
<a href="#">qprocson(9F)</a>	Turn on queue processing
<a href="#">qreply(9F)</a>	Send a message on a stream in the reverse direction
<a href="#">qsize(9F)</a>	Find the number of messages on a queue
<a href="#">qtimeout(9F)</a>	Execute a function after a specified length of time
<a href="#">qunbufcall(9F)</a>	Cancel a pending qbufcall request
<a href="#">quntimeout(9F)</a>	Cancel a pending qtimeout request
<a href="#">qwait(9F)</a>	Perimeter wait routine
<a href="#">qwait_sig(9F)</a>	Perimeter wait routine
<a href="#">qwriter(9F)</a>	Asynchronous perimeter upgrade
<a href="#">RD(9F)</a>	Get pointer to the read queue
<a href="#">rmvb(9F)</a>	Remove a message block from a message
<a href="#">rmvq(9F)</a>	Remove a message from a queue
<a href="#">strlog(9F)</a>	Submit messages for logging
<a href="#">strqget(9F)</a>	Obtain information on a queue or a band of the queue
<a href="#">strqset(9F)</a>	Change information on a queue or a band of the queue
<a href="#">testb(9F)</a>	Check for an available buffer
<a href="#">testb(9F)</a>	Cancel bufcall request
<a href="#">unfreezestr(9F)</a>	Enable changes to the state of the stream
<a href="#">unlinkb(9F)</a>	Remove a message block from the head of a message
<a href="#">WR(9F)</a>	Get pointer to the write queue

---

## STREAMS-Based Terminal Subsystem

---

This chapter describes how a terminal subsystem is set up and how interrupts are handled. Different protocols are addressed, as well as canonical processing and line discipline substitution.

- [“Overview of Terminal Subsystem” on page 347](#)
- [“STREAMS-based Pseudo-Terminal Subsystem” on page 357](#)

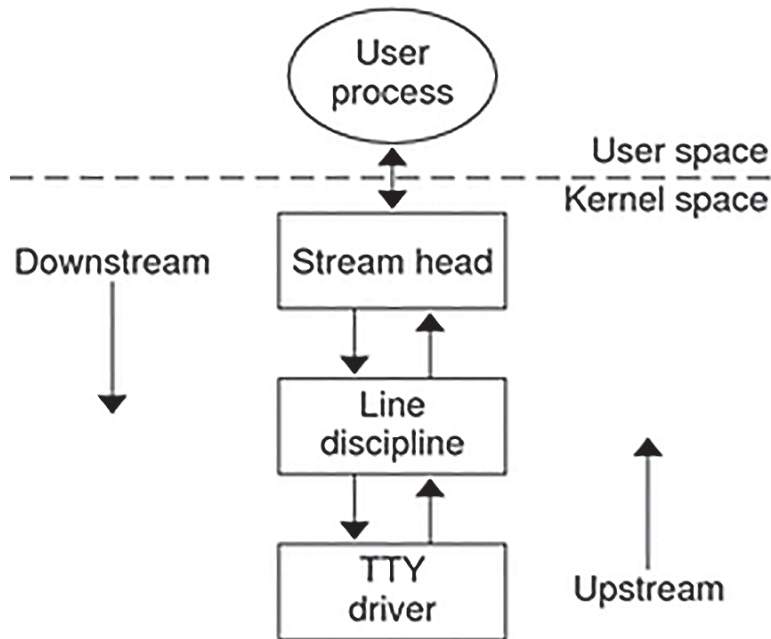
### Overview of Terminal Subsystem

STREAMS provides a uniform interface for implementing character I/O devices and networking protocols in the kernel. The Oracle Solaris software implements the terminal subsystem in STREAMS. The STREAMS-based terminal subsystem ([Figure 38, “STREAMS-based Terminal Subsystem,” on page 348](#)) provides many benefits:

- **Reusable line discipline modules.** The same module can be used in many streams where the configuration of these streams may be different.
- **Line-discipline substitution.** Although the Oracle Solaris operating environment provides a standard terminal line-discipline module, another one conforming to the interface can be substituted. For example, a remote login feature may use the terminal subsystem line discipline module to provide a terminal interface to the user.
- **Internationalization.** The modularity and flexibility of the STREAMS-based terminal subsystem enables an easy implementation of a system that supports multiple-byte characters for internationalization. This modularity also allows easy addition of new features to the terminal subsystem.
- **Easy customizing.** Users may customize their terminal subsystem environment by adding and removing modules of their choice.
- **The pseudo-terminal subsystem.** The pseudo-terminal subsystem can be easily supported (this is discussed in more detail in the section [“STREAMS-based Pseudo-Terminal Subsystem” on page 357](#)).

- **Merge with networking.** By pushing a line discipline module on a network line, you can make the network look like a terminal line.

**FIGURE 38** STREAMS-based Terminal Subsystem



The initial setup of the STREAMS-based terminal subsystem is handled with the `ttymon(1M)` command within the framework of the Service Access Facility (*autopush* feature). See “STREAMS Administrative Driver” on page 255 for more information.

The STREAMS-based terminal subsystem supports `termio(7I)`, the `termios(3C)` specification of the POSIX standard, multiple-byte characters for internationalization, the interface to asynchronous hardware flow control and peripheral controllers for asynchronous terminals. XENIX™ and BSD compatibility can also be provided by pushing the `ttcompat` module.

To use `sh1` with the STREAMS-based terminal subsystem, the `sxt` driver is implemented as a STREAMS-based driver. The `sxt` feature is being discontinued and might not be available, so try to use the job-control mechanism instead of `sxt`. Note that both `sh1` and job control should *not* be run simultaneously.

## Master Driver and Slave Driver Characteristics

The master driver and slave driver have the following characteristics:

- Each master driver has one-to-one relationship with a slave device based on major/minor device numbers.
- Only one open is allowed on a master device. Multiple opens are allowed on the slave device according to standard file mode and ownership permissions.
- Each slave driver minor device has a node in the file system.
- An open on a master device automatically locks out an open on the corresponding slave driver.
- A slave cannot be opened unless the corresponding master is open and has unlocked the slave.
- To provide a TTY interface to the user, the `ldterm` and `ptem` modules are pushed on the slave side.
- A close on the master sends a hang up to the slave and renders both streams unusable, after all data have been consumed by the process on the slave side.
- The last close on the slave side sends a zero-length message to the master but does not sever the connection between the master and slave drivers.

## Line-Discipline Module

A STREAMS line-discipline module called `ldterm` is a key part of the STREAMS-based terminal subsystem. Throughout this chapter, the terms *line discipline* and `ldterm` are used interchangeably and refer to the STREAMS version of the standard line discipline and not the traditional character version. `ldterm` performs the standard terminal I/O processing traditionally done through the `linesw` mechanism.

The [termio\(7I\)](#) and [termios\(3C\)](#) specifications describe four flags that are used to control the terminal:

- `c_iflag` defines input modes
- `c_oflag` defines output modes
- `c_cflag` defines hardware control modes
- `c_lflag` defines terminal functions used by [ldterm\(7M\)](#)

To process these flags elsewhere (for example, in the firmware or in another process), a mechanism is in place to turn the processing of these flags on and off. When [ldterm\(7M\)](#) is pushed, it sends an `M_CTL` message downstream that asks the driver which flags the driver will

process. The driver sends back that message in response if it needs to change the `ldterm` default processing. By default, [ldterm\(7M\)](#) assumes that it must process all flags except `c_cflag` unless it receives a message indicating otherwise.

## Default Settings

When `ldterm` is pushed on the stream, the `open` routine initializes the settings of the `termio` flags. The default settings are:

```
c_iflag = BRKINT|ICRNL|IXON|IMAXBEL
c_oflag = OPOST|ONLCR|TAB3
c_cflag = CREAD|CS8|B9600
c_lflag = ISIG|ICANON|ECHO|ECHOK|IEXTEN|ECHOE|ECHOKE | ECHOCTL
```

In canonical mode (ICANON flag in `c_lflag` is turned on), read from the terminal file descriptor is in message non-discard (RMSGN) mode (see [streamio\(7I\)](#)). This implies that in canonical mode, read on the terminal file descriptor always returns at most one line, regardless of how many characters have been requested. In non-canonical mode, read is in byte-stream (RNORM) mode. The flag `ECHOCTL` has been added for SunOS 4.1 compatibility.

For information on user-configurable settings, see [termio\(7I\)](#).

## Module `open` and `close` Routines

The `open` routine of the [ldterm\(7M\)](#) module allocates space for holding the TTY structure (see `ldtermstd_state_t` in `ldterm.h`) by allocating a buffer from the STREAMS buffer pool. The number of modules that can be pushed on one stream, as well as the number of TTYs in use, is limited. The number of instances of `ldterm` that have been pushed is limited only by available memory. The `open` also sends an `M_SETOPTS` message upstream to set the stream head high-water and low-water marks to 1024 and 200, respectively. These are the current values.

The `ldterm` module identifies itself as a TTY to the stream head by sending an `M_SETOPTS` message upstream with the `SO_ISTTY` bit of `so_flags` set. The stream head allocates the controlling TTY on the `open`, if one is not already allocated.

To maintain compatibility with existing applications that use the `O_NDELAY` flag, the `open` routine sets the `SO_NDELOK` flag on in the `so_flags` field of the [stroptions\(9S\)](#) structure in the `M_SETOPTS` message.

The `open` routine fails if there are no buffers available (so it cannot allocate the internal state structure) or when an interrupt occurs while waiting for a buffer to become available.

The `close` routine frees all the outstanding buffers allocated by this stream. It also sends an `M_SETOPTS` message to the stream head to undo the changes made by the `open` routine. The [ldterm\(7M\)](#) module also sends `M_START` messages downstream to undo the effect of any previous `M_STOP` messages.

## Read-Side Processing

The [ldterm\(7M\)](#) module's read-side processing has put and service procedures. High-water and low-water marks for the read queue are 1024 and 200, respectively. These are the current values.

[ldterm\(7M\)](#) can send the following messages upstream:

`M_DATA`, `M_BREAK`, `M_PCSIG`, `M_SIG`, `M_FLUSH`, `M_ERROR`, `M_IOCACK`, `M_IOCNAK`, `M_HANGUP`, `M_CTL`, `M_SETOPTS`, `M_COPYOUT`, and `M_COPYIN`.

The [ldterm\(7M\)](#) module's read side processes `M_BREAK`, `M_DATA`, `M_CTL`, `M_FLUSH`, `M_HANGUP`, `M_IOCACK` and `M_IOCNAK` messages. All other messages are sent upstream unchanged.

The `put` procedure scans the message for flow-control characters (`IXON`), signal-generating characters, and, after (possible) transformation of the message, queues the message for the service procedure. Echoing is handled completely by the service procedure.

If the `ICANON` flag is on in `c_lflag`, canonical processing is performed. If the `ICANON` flag is off, non-canonical processing is performed (see [termio\(7I\)](#) for more details). Handling of `VMIN/VTIME` in the `STREAMS` environment is somewhat complicated, because `read` needs to activate a timer in the `ldterm` module in some cases; hence, `read` notification becomes necessary. When a user issues an `ioctl(2)` to put [ldterm\(7M\)](#) in non-canonical mode, the module sends an `M_SETOPTS` message to the stream head to register `read` notification. Further reads on the terminal file descriptor will cause the stream head to issue an `M_READ` message downstream and data will be sent upstream in response to the `M_READ` message. With `read` notification, buffering of raw data is performed by [ldterm\(7M\)](#). Canonizing the raw data when the user has switched from raw to canonical mode is possible. However, the reverse is not possible.

To summarize, in non-canonical mode, the [ldterm\(7M\)](#) module buffers all data until `VMIN` or `VTIME` criteria are met. For example, if `VMIN=3` and `VTIME=0`, and three bytes have been buffered, these characters are sent to the stream head *regardless* of whether there is a pending `M_READ`, and no `M_READ` needs to be sent downstream. If an `M_READ` message is received, the number of bytes sent upstream is the argument of the `M_READ` message unless `VTIME` is satisfied

before VMIN (for example, the timer has expired), in which case whatever characters are available will be sent upstream.

The service procedure of `ldterm(7M)` handles STREAMS-related flow control. Because the read side high-water and low-water marks are 1024 and 200 respectively, placing 1024 characters or more on the read queue causes the QFULL flag be turned on, indicating that the module below should not send more data upstream.

Input flow control is regulated by the line-discipline module which generates M\_STARTI and M\_STOPI high priority messages. When sent downstream, receiving drivers or modules take appropriate action to regulate the sending of data upstream. Output flow control is activated when `ldterm(7M)` receives flow control characters in its data stream. The module then sets an internal flag indicating that output processing is to be restarted/stopped and sends an M\_START/M\_STOP message downstream.

## Write-Side Processing

Write-side processing of the `ldterm(7M)` module is performed by the write-side put and service procedures.

The `ldterm` module supports the following `ioctl`s:

TCSETA, TCSETAW, TCSETAF, TCSETS, TCSETSW, TCSETSF, TCGETA, TCGETS, TCXONC, TCFLSH, and TCSBRK.

All `ioctl`s not recognized by the `ldterm(7M)` module are passed downstream to the neighboring module or driver.

The following messages can be received on the write side:

M\_DATA, M\_DELAY, M\_BREAK, M\_FLUSH, M\_STOP, M\_START, M\_STOP, M\_START, M\_READ, M\_IOCTLDATA, M\_CTL, and M\_IOCTL.

On the write side, the `ldterm` module processes M\_FLUSH, M\_DATA, M\_IOCTL, and M\_READ messages, and all other messages are passed downstream unchanged.

An M\_CTL message is generated by `ldterm(7M)` as a query to the driver for an intelligent peripheral and to decide on the functional split for `termio(7I)` processing. If all or part of `termio(7I)` processing is done by the intelligent peripheral, `ldterm(7M)` can turn off this processing to avoid computational overhead. This is done by sending an appropriate response to the M\_CTL message, as follows:



- If all of the [termio\(7I\)](#) processing is done by the peripheral hardware, the driver sends an `M_CTL` message back to [ldterm\(7M\)](#) with `ioc_cmd` of the structure [iocblk\(9S\)](#) set to `MC_NO_CANON`. If [ldterm\(7M\)](#) is to handle all [termio\(7I\)](#) processing, the driver sends an `M_CTL` message with `ioc_cmd` set to `MC_DO_CANON`. The default is `MC_DO_CANON`.
- If the peripheral hardware handles only part of the [termio\(7I\)](#) processing, it informs [ldterm\(7M\)](#) in the following way:

The driver for the peripheral device allocates an `M_DATA` message large enough to hold a [termios\(3C\)](#) structure. The driver then turns on those `c_iflag`, `c_oflag`, and `c_lflag` fields of the [termios\(3C\)](#) structure that are processed on the peripheral device by executing an OR operation on the flag values. The `M_DATA` message is then attached to the `b_cont` field of the `M_CTL` message it received. The message is sent back to [ldterm\(7M\)](#) with `ioc_cmd` in the data buffer of the `M_CTL` message set to `MC_PART_CANON`.

One difference between AT&T STREAMS and Oracle Solaris STREAMS is that AT&T's line discipline module does not check whether write-side flow control is in effect before forwarding data downstream. It expects the downstream module or driver to add the messages to its queue until flow control is lifted. This is not true in Oracle Solaris STREAMS.

## EUC Handling in `ldterm`

Post-processing (the `o_flags`) should not be handled by the host processor unless the board software is prepared to deal with international (EUC) character sets properly because that post-processing must take the EUC information into account. [ldterm\(7M\)](#) allots the appropriate screen width of characters (that is, how many columns are taken by characters from each given code set on the current physical display) and it takes this width into account when calculating tab expansions. When using multi-byte characters or multi-column characters `ldterm` automatically handles tab expansion (when `TAB3` is set) and does not leave this handling to a lower module or driver.

By default, multi-byte handling by `ldterm` is turned off. When `ldterm` receives an `EUC_WSET` [ioctl\(2\)](#), it turns multi-byte processing on if it is essential to properly handle the indicated code set. Thus, if you use single byte 8-bit codes and have no special multi-column requirements, the special multi-column processing is not used at all. This means that multi-byte processing does not reduce the processing speed or efficiency of `ldterm` unless it is actually used.

The following describes how the EUC handling in `ldterm` works:

First, the multi-byte and multi-column character handling is only enabled when the `EUC_WSET` [ioctl](#) indicates that one of the following conditions is met:

- Code set consists of more than one byte (including the `SS2` and/or `SS3`) of characters

- Code set requires more than one column to display on the current device, as indicated in the `EUC_WSET` structure

Assuming that one or more of the previous conditions exists, EUC handling is enabled. At this point, a parallel array (see `ldterm_mod` structure) used for other information is allocated and a pointer to it is stored in `t_eucp_mp`. The parallel array that it holds is pointed to by `t_eucp`. The `t_codeset` field holds the flag that indicates which of the code sets is currently being processed on the read side. When a byte with the high bit arrives, `ldterm` checks to see if it is SS2 or SS3. If yes, it belongs to code set 2 or 3. Otherwise, it is a byte that comes from code set 1.

Once the extended code set flag has been set, the input processor retrieves the subsequent bytes, as they arrive, to build one multi-byte character. The counter field `t_eucleft` tells the input processor how many bytes remain to be read for the current character. The parallel array `t_eucp` holds its display width for each logical character in the canonical buffer. During erase processing, positions in the parallel array are consulted to determine how many backspaces need to be sent to erase each logical character. (In canonical mode, one backspace of input erases one logical character, no matter how many bytes or columns that character consumes.) This greatly simplifies erase processing for EUC.

The `t_maxeuc` field holds the maximum length, in memory bytes, of the EUC character mapping currently in use. The `eucwloc` field is a substructure that holds information about each extended code set.

The `t_eucign` field aids in output post-processing (tab expansion). When characters are output, `ldterm(7M)` keeps a column to indicate what the current cursor column is supposed to be. When it sends the first byte of an extended character, it adds the number of columns required for that character to the output column. It then subtracts one from the total width in memory bytes of that character and stores the result in `t_eucign`. This field tells `ldterm(7M)` how many subsequent bytes to ignore for the purposes of column calculation. (`ldterm(7M)` calculates the appropriate number of columns when it sees the first byte of the character.)

The field `t_eucwarn` is a counter for occurrences of bad extended characters. It is mostly useful for debugging. After receiving a certain number of illegal EUC characters (perhaps because of some problem on the line or with declared values), a warning is given on the system console.

There are two relevant files for handling multi-byte characters: `euc.h` and `eucioctl.h`. `eucioctl.h` contains the structure that is passed with `EUC_WSET` and `EUC_WGET` calls. The normal way to use this structure is to get `CSWIDTH` from the locale using a mechanism such as `getwidth(3C)` or `setlocale(3C)`, copy the values into the structure in `eucioctl.h`, and send the structure using an `I_STR ioctl(2)`. The `EUC_WSET` call informs the `ldterm(7M)` module about the number of bytes in extended characters and how many columns the extended characters from each set consume on the screen. This enables `ldterm(7M)` to treat multi-byte characters as single units for the purpose of erase processing and to correctly calculate tab expansions for multi-byte characters.

---

**Note** - LC\_CTYPE (instead of CSWIDTH) should be used in Oracle Solaris systems.

---

The file `euc.h` has fields for EUC width, screen width, and wide-character width. The functions in [Example 68, “EUC Header File,” on page 355](#) are used to set and get EUC widths (these functions assume the environment where the `euwidth_t` structure is needed and available).

**EXAMPLE 68** EUC Header File

```
#include <euioctl.h> /* need others, like stropts.h*/

struct eucioc eucw; /*for EUC_WSET/WGET to line disc*/
euwidth_t width; /* ret struct from _getwidth() */
/*
 * set_euc Send EUC code widths to line discipline.
 */
set_euc(struct eucioc *e)
{
    struct strioctl sb;

    sb.ic_cmd = EUC_WSET;
    sb.ic_timeout = 15;
    sb.ic_len = sizeof(struct eucioc);
    sb.ic_dp = (char *) e;

    if (ioctl(0, I_STR, &sb) < 0)
        fail();
}
/*
 * euclook. Get current EUC code widths from line discipline.
 */
euclook(struct eucioc *e)
{
    struct strioctl sb;

    sb.ic_cmd = EUC_WGET;
    sb.ic_timeout = 15;
    sb.ic_len = sizeof(struct eucioc);
    sb.ic_dp = (char *) e;

    if (ioctl(0, I_STR, &sb) < 0)
        fail();

    printf("CSWIDTH=%d:%d,%d:%d,%d:%d",
           e->eucw[1], e->scrw[1],
           e->eucw[2], e->scrw[2],
```

```
e->eucw[3], e->scrw[3]);  
}
```

## Hardware Emulation Module

If a stream supports a terminal interface, a driver or module that understands all `ioctl`s is needed to support terminal semantics (specified by [termio\(7I\)](#) and [termiox\(7I\)](#). If there is no hardware driver that understands all `ioctl` commands downstream from the `ldterm` module, a hardware emulation module must be placed downstream from the line-discipline module. The function of the hardware emulation module is to understand and acknowledge the `ioctl`s that may be sent to the process at the stream head and to mediate the passage of control information downstream. Together, the line-discipline module and the hardware emulation module behave as if there was an actual terminal on that stream.

The hardware emulation module is necessary whenever there is no TTY driver at the end of the stream. For example, the module is necessary in a pseudo-TTY situation where there is process-to-process communication on one system (discussed in [“STREAMS-based Pseudo-Terminal Subsystem” on page 357](#)), or in a network situation where a `termio` interface is expected (for example, remote login) but there is no TTY driver on the stream.

Most of the actions taken by the hardware emulation module are the same regardless of the underlying architecture. However, there are some actions that are different, depending on whether the communication is local or remote and whether the underlying transport protocol is used to support the remote connection.

Each hardware emulation module has an `open`, `close`, `read queue put` procedure, and `write queue put` procedure.

The hardware emulation module does the following:

- Processes, if appropriate, and acknowledges receipt of the following `ioctl`s on its write queue by sending an `M_IOCACK` message back upstream: `TCSETA`, `TCSETAW`, `TCSETAF`, `TCSETS`, `TCSETSW`, `TCSETSF`, `TCGETA`, `TCGETS`, and `TCSBRK`.
- Acknowledges the Extended UNIX Code (EUC) [ioctl\(2\)](#).
- If the environment supports windowing, it acknowledges the windowing `TIOCSWINSZ`, `TIOCGWINSZ`, and `JWINSIZE` [ioctl\(2\)](#)s. If the environment does not support windowing, an `M_IOCNAK` message is sent upstream.
- If another [ioctl\(2\)](#) is received on its write queue, it sends an `M_IOCNAK` message upstream. It doesn't pass any unrecognized `ioctl`s to the slave driver.

- When the hardware emulation module receives an `M_IOCTL` message of type `TCSBRK` on its write queue, it sends an `M_IOCACK` message upstream and the appropriate message downstream. For example, an `M_BREAK` message could be sent downstream.
- When the hardware emulation module receives an `M_IOCTL` message on its write queue to set the baud rate to 0 (`TCSETAW` with `CBAUD` set to `B0`), it sends an `M_IOCACK` message upstream and an appropriate message downstream; for networking situations this will probably be an `M_PROTO` message, which is a `TPI_T_DISCON_REQ` message requesting the transport provider to disconnect.
- All other messages (for example, `M_DATA`) not mentioned here are passed to the next module or driver in the stream.

The hardware emulation module processes messages in a way consistent with the driver that exists.

## STREAMS-based Pseudo-Terminal Subsystem

The STREAMS-based pseudo-terminal subsystem provides the user with an interface that is identical to the STREAMS-based terminal subsystem described earlier in this chapter. The pseudo-terminal subsystem (pseudo-TTY) supports a pair of STREAMS-based devices called the *master* device and *slave* device. The slave device provides processes with an interface that is identical to the terminal interface. However, where devices that provide the terminal interface have some kind of hardware device behind them, the slave device has another process manipulating it through the master half of the pseudo-terminal. Anything written on the master device is given to the slave as an input, and anything written on the slave device is presented as an input on the master side.

[Figure 39, “Pseudo-TTY Subsystem Architecture,” on page 358](#) illustrates the architecture of the STREAMS-based pseudo-terminal subsystem. The master driver (called `ptm`) is accessed through the clone driver and is the controlling part of the system. The slave driver (called `pts`) works with the line discipline module and the hardware emulation module to provide a terminal interface to the user process. An optional packetizing module (called `pkt`) is also provided. It can be pushed on the master side to support packet mode (this is discussed in [“Packet Mode” on page 362](#)).

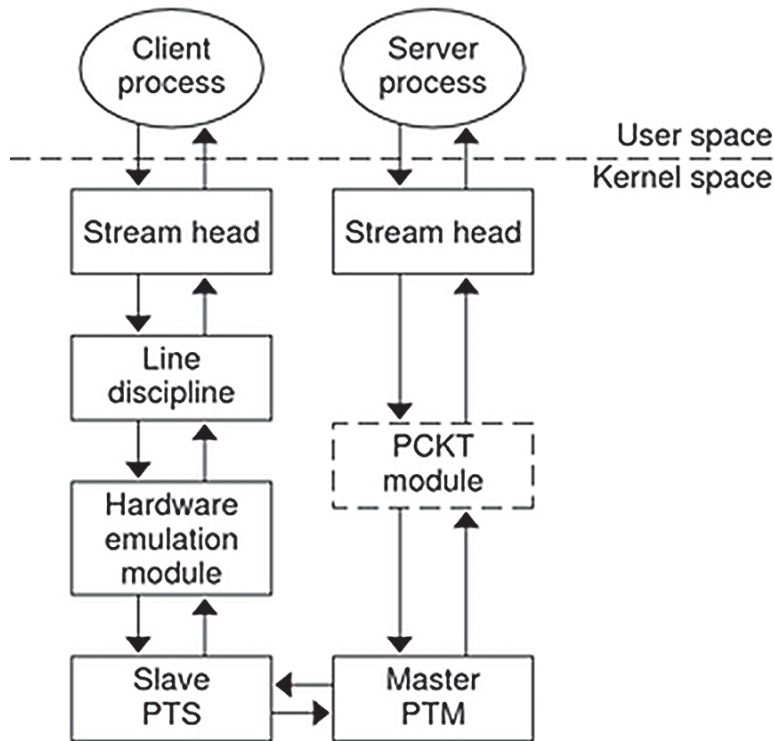
The number of pseudo-TTY devices that can be installed on a system depends on available memory.

## Line-Discipline Module

In the pseudo-TTY subsystem, the line discipline module is pushed on the slave side to present the user with the terminal interface.

`ldterm(7M)` can turn off the processing of the `c_iflag`, `c_oflag`, and `c_lflag` fields to allow processing to take place elsewhere. The `ldterm(7M)` module can also turn off all canonical processing when it receives an `M_CTL` message with the `MC_NO_CANON` command to support remote mode. Although `ldterm(7M)` passes through messages without processing them, the appropriate flags are set when an `ioctl(2)`, such as `TCGETA` or `TCGETS`, is issued to indicate that canonical processing is being performed.

**FIGURE 39** Pseudo-TTY Subsystem Architecture



## Pseudo-TTY Emulation Module: ptem

Because the pseudo-TTY subsystem has no hardware driver downstream from the [ldterm\(7M\)](#) module to process the terminal [ioctl\(2\)](#) calls, another module that understands the [ioctl](#) commands is placed downstream from the [ldterm\(7M\)](#). This module, [ptem\(7M\)](#), processes all of the terminal [ioctl\(2\)](#) calls and mediates the passage of control information downstream.

[ldterm\(7M\)](#) and [ptem\(7M\)](#) together behave like a real terminal. Since there is no real terminal or modem in the pseudo-TTY subsystem, some of the [ioctl\(2\)](#) commands are ignored and cause only an acknowledgment of the command. [ptem\(7M\)](#) keeps track of the terminal parameters set by the various set commands such as TCSETA or TCSETAW but does not usually perform any action. For example, if a "set" [ioctl](#) is called, none of the bits in the `c_cflag` field of [termio\(7I\)](#) has any effect on the pseudo-terminal unless the baud rate is set to 0. Setting the baud rate to 0 has the effect of hanging up the pseudo-terminal.

The pseudo-terminal does not recognize parity, so none of the flags in the `c_iflag` that control the processing of parity errors have any effect. The delays specified in the `c_oflag` field are also not supported.

[ptem\(7M\)](#) does the following:

- Processes, if appropriate, and acknowledges receipt of the following [ioctls](#) on its write queue by sending an `M_IOCACK` message back upstream: TCSETA, TCSETAW, TCSETAF, TCSETS, TCSETSW, TCSETSF, TCGETA, TCGETS, and TCSBRK.
- Keeps track of the window size; information needed for the `TIOCSWINSZ`, `TIOCGWINSZ`, and `JWINSIZE` [ioctl](#).
- When it receives an [ioctl](#), other than for `TIOCSWINSZ`, `TIOCGWINSZ`, or `JWINSIZE` on its write queue, it sends an `M_IOCNAK` message upstream.
- It passes downstream the following [ioctls](#) after processing them: TCSETA, TCSETAW, TCSETAF, TCSETS, TCSETSW, TCSETSF, TCSBRK, and `TIOCSWINSZ`.
- Frees any `M_IOCNAK` messages it receives on its read queue in case the `pckt` module ([pckt\(7M\)](#) (described in the section “[Packet Mode](#)” on page 362)) is not on the pseudo-terminal subsystem and the TCSETA, TCSETAW, TCSETAF, TCSETS, TCSETSW, TCSETSF, TCSBRK, or `TIOCSWINSZ` [ioctls](#) get to the master's stream head which then sends an `M_IOCNAK` message.
- In its open routine, `ptem` sends an `M_SETOPTS` message upstream requesting allocation of a controlling TTY.
- When `ptem` receives an `M_IOCTL` message of type TCSBRK on its read queue, it sends an `M_IOCACK` message downstream and an `M_BREAK` message upstream.

- When `pem` receives an `ioctl(2)` message on its write queue to set the baud rate to 0 (TCSETAW with CBAUD set to B0), it sends an `M_IOCACK` message upstream and a zero-length message downstream.
- When `pem` receives an `M_IOCTL` of type `TIOCSIGNAL` on its read queue, it sends an `M_IOCACK` downstream and an `M_PCSIG` upstream, where the signal number is the same as in the `M_IOCTL` message.
- When `pem` receives an `M_IOCTL` of type `TIOCREMOTE` on its read queue, it sends an `M_IOCACK` message downstream and the appropriate `M_CTL` message upstream to enable or disable canonical processing.
- When `pem` receives an `M_DELAY` message on its read or write queue, it discards the message and does not act on it.
- When `pem` receives an `M_IOCTL` of type `JWINSIZE` on its write queue, and if the values in its `jwinsize` structure are not zero, it sends an `M_IOCACK` message upstream with the `jwinsize` structure. If the values are zero, it sends an `M_IOCNAK` message upstream.
- When `pem` receives an `M_IOCTL` message of type `TIOCGWINSZ` on its write queue and the values in the `winsize` structure are not zero, it sends an `M_IOCACK` message upstream with the `winsize` structure. If the values are zero, it sends an `M_IOCNAK` message upstream. It also saves the information passed to it in the `winsize` structure and sends a STREAMS signal message for signal `SIGWINCH` upstream to the slave process if the size changed.
- When `pem(7M)` receives an `M_IOCTL` message with type `TIOCGWINSZ` on its read queue and the values in the `winsize` structure are not zero, it sends an `M_IOCACK` message downstream with the `winsize` structure. If the values are zero, it sends an `M_IOCNAK` message downstream. It also saves the information passed to it in the `winsize` structure and sends a STREAMS signal message for signal `SIGWINCH` upstream to the slave process if the size changed.
- All other messages are passed to the next module or driver.

## `pem` Data Structure

Each instantiation of `pem(7M)` is associated with a local area. These data are held in a structure called `pem` that has the following format:

```
struct pem
{
    long cflags;      /* copy of c_flags */
    mblk_t *dack_ptr; /* pointer to preallocated msg blk
                     used to send disconnect */
    queue_t *q_ptr;  /* pointer to pem's read queue */
    struct winsize wsz; /*struct to hold windowing info*/
}
```



```

    unsigned short state; /* state of ptem entry */
};

```

When [ptem\(7M\)](#) is pushed onto the slave side stream, a search of the ptem structure is made for a free entry (state is not set to INUSE). The `c_flags` of the [termio\(7I\)](#) structure and the windowing variables are stored in `c_flags` and `wsz` respectively. The `dack_ptr` is a pointer to a message block used to send a zero-length message whenever a hang-up occurs on the slave side.

---

**Note** - [ptem\(7M\)](#) internal implementation might change. This structure should be relevant only to people wanting to change the module.

---

## open and close Routines




---

**Caution** - The following information is implementation-dependent.

---

In the open routine of [ptem\(7M\)](#) a STREAMS message block is allocated for a zero-length message for delivering a hangup message. This allocation of a buffer is done before it is needed to ensure that a buffer is available. An `M_SETOPTS` message is sent upstream to set the read-side stream head queues, to assign high-water and low-water marks (1024 and 256 respectively), and to establish a controlling terminal.

The same default values as for the line-discipline module are assigned to `c_flags`, and `INUSE` to the state field.

---

**Note** - These default values are currently being examined and may change in the future.

---

The open routine fails if:

- No free entries are found when the [ptem\(7M\)](#) structure is searched
- `sflag` is not set to `MODOPEN`
- A zero-length message cannot be allocated (no buffer is available)
- A [stroptions\(9S\)](#) structure cannot be allocated

The `close` routine is called on the last close of the slave-side stream. Pointers to read and write queues are cleared and the buffer for the zero-length message is freed.

## Remote Mode

*Remote mode* available with the pseudo-TTY subsystem, is used for applications that perform the canonical function normally done by `ldterm(7M)` and the TTY driver. The remote mode enables applications on the master side to turn off the canonical processing. An `TIOCREMOTE ioctl(2)` with a nonzero parameter (`ioctl(fd, TIOCREMOTE, 1)`) is issued on the master side to enter the remote mode. When this occurs, an `M_CTL` message with the command `MC_NO_CANON` is sent to `ldterm(7M)`, indicating that data should be passed when received on the read side and that no canonical processing is to take place. The remote mode may be disabled by `ioctl(fd, TIOCREMOTE, 0)`.

## Packet Mode

In the STREAMS-based pseudo-terminal subsystem *packet mode* is used to inform the process on the master side when state changes have occurred in the pseudo-TTY. Packet mode is enabled by pushing the `pckt` module on the master side. Data written on the master side is processed normally. When data is written on the slave side, or when other messages are encountered by the `pckt` module, a header is added to the message so it can be subsequently retrieved by the master side with a `getmsg` operation.

`pckt(7M)` does the following:

- When a message is passed to this module on its write queue, the module does no processing and passes the message to the next module or driver.
- `pckt` creates an `M_PROTO` message when one of the following messages is passed to it: `M_DATA`, `M_IOCTL`, `M_PROTO/M_PCPROTO`, `M_FLUSH`, `M_READ`, `M_START/M_STOP`, and `M_STARTI/M_STOPI`.  
All other messages are passed through. The `M_PROTO` message is passed upstream and retrieved when the user issues `getmsg(2)`.
- If the message is an `M_FLUSH` message, `pckt(7M)` does the following:
  - If the flag is `FLUSHW`, it is changed to `FLUSHR` (because `FLUSHR` was the original flag before the `pts(7D)` driver changed it), changed into an `M_PROTO` message, and passed upstream. To prevent the stream head's read queue from being flushed, the original `M_FLUSH` message must not be passed upstream.
  - If the flag is `FLUSHR`, it is changed to `FLUSHW`, packetized into an `M_PROTO` message, and passed upstream. To flush both of the write queues properly, an `M_FLUSH` message with the `FLUSHW` flag set is also sent upstream.

- If the flag is FLUSHRW, the message with both flags set is packetized and passed upstream. An M\_FLUSH message with the FLUSHW flag set is also sent upstream.

## Pseudo-TTY Drivers: ptm and pts

To use the pseudo-TTY subsystem, a node for the master side driver `/dev/ptmx` and  $N$  number of slave drivers must be installed ( $N$  is determined at installation). The names of the slave devices are `/dev/pts/M` where  $M$  has the values 0 through  $N-1$ . A user accesses a pseudo-TTY device through the master device (called `ptm`) that in turn is accessed through the clone driver. The master device is set up as a clone device where its major device number is the major for the clone device and its minor device number is the major for the `ptm(7D)` driver.

The master pseudo driver is opened by calling `open(2)` with `/dev/ptmx` as the device to be opened. The clone open finds the next available minor device for that major device. A master device is available only if it, and its corresponding slave device, are not already open. There are no nodes in the file system for master devices.

When the master device is opened, the corresponding slave device is automatically locked out. No user may open that slave device until it is unlocked. A user may invoke a function `grantpt` to change the owner of the slave device to that of the user who is running this process, change the group ID to TTY, and change the mode of the device to 0620. Once the permissions have been changed, the device may be unlocked by the user. Only the owner or the root user can access the slave device. The user must then invoke the `unlockpt` function to unlock the slave device. Before opening the slave device, the user must call the `ptsname` function to obtain the name of the slave device. The functions `grantpt`, `unlockpt`, and `ptsname` are called with the file descriptor of the master device. The user may then invoke the open system call with the name that was returned by the `ptsname` function to open the slave device.

The following example shows how a user may invoke the pseudo-TTY subsystem:

```
int fdm fds;
char *slavename;
extern char *ptsname();

fdm = open("/dev/ptmx", O_RDWR); /* open master */
grantpt(fdm);                  /* change permission of slave */
unlockpt(fdm);                 /* unlock slave */
slavename = ptsname(fdm);      /* get name of slave */
fds = open(slavename, O_RDWR); /* open slave */
ioctl(fds, I_PUSH, "ptem");    /* push ptem */
ioctl(fds, I_PUSH, "ldterm");  /* push ldterm */
```

Unrelated processes may open the pseudo device. The initial user may pass the master file descriptor using a STREAMS-based pipe or a slave name to another process to enable it to open the slave. After the slave device is open, the owner is free to change the permissions.

---

**Note** - Certain programs such as `write` and `wall` are set group ID (`setgid(2)`) to TTY and are also able to access the slave device.

---

After both the master and slave have been opened, the user has two file descriptors that provide full-duplex communication using two streams. The two streams are automatically connected. The user may then push modules onto either side of the stream. The user also needs to push the `ptem` and `ldterm` modules onto the slave side of the pseudo-terminal subsystem to get terminal semantics.

The master and slave drivers pass all STREAMS messages to their adjacent queues. Only the `M_FLUSH` needs some processing. Because the read queue of one side is connected to the write queue of the other, the `FLUSHR` flag is changed to `FLUSHW` and vice versa.

When the master device is closed, an `M_HANGUP` message is sent to the slave device to render the device unusable. The process on the slave side gets the `errno ENXIO` when attempting to write on that stream, but it will be able to read any data remaining on the stream head read queue. When all the data has been read, `read(2)` returns 0, indicating that the stream can no longer be used.

On the last close of the slave device, a zero-length message is sent to the master device. When the application on the master side issues a `read` or `getmsg` and 0 is returned, the user of the master device decides whether to issue a `close` that dismantles the pseudo-terminal subsystem. If the master device is not closed, the pseudo-TTY subsystem is available to another user to open the slave device.

Since zero-length messages are used to indicate that the process on the slave side has closed (and should be interpreted that way by the process on the master side), applications on the slave side should not write zero-length messages. If that occurs, the `write` returns 0, and the zero-length message is discarded by the `ptem` module.

The standard STREAMS system calls can access the pseudo-TTY devices. The slave devices support the `O_NDELAY` and `O_NONBLOCK` flags. Because the master side does not act like the terminal, if `O_NONBLOCK` or `O_NDELAY` is set, `read` on the master side returns -1 with `errno` set to `EAGAIN` if no data is available, and `write(2)` returns -1 with `errno` set to `EAGAIN` if there is internal flow control.

The master driver supports the `ISPTM` and `UNLKPT` `ioctl(2)` that are used by the functions `grantpt(3C)`, `unlockpt(3C)`, and `ptsname(3C)`. The `ISPTM` `ioctl(2)` determines whether the file descriptor is that of an open master device. On success, it returns the major/minor number (type `dev_t`) of the master device which can be used to determine the name of

the corresponding slave device. The UNLKPT [ioctl\(2\)](#) unlocks the master and slave devices. It returns 0 on success. On failure, the `errno` is set to `EINVAL` indicating that the master device is not open.

The format of these commands is:

```
int ioctl (int fd, int command, int arg)
```

where *command* is either `ISPTM` or `UNLKPT` and *arg* is 0. On failure, -1 is returned.

When data is written to the master side, the entire block of data written is treated as a single line. The slave-side process reading the terminal receives the entire block of data. Data is not edited by the `ldterm` module at input, regardless of the terminal mode. The master-side application is responsible for detecting an interrupt character and sending an interrupt signal `SIGINT` to the process in the slave side. This can be done as follows:

```
ioctl (fd, TIOCSIGNAL, SIGINT)
```

where `SIGINT` is defined in the file `signal.h`. When a process on the master side issues this [ioctl\(2\)](#), the argument is the number of the signal that should be sent. The specified signal is then sent to the process group on the slave side.

## grantpt() Function

[grantpt\(3C\)](#) changes the mode and the ownership of the slave device that is associated with the given master device. Given a file descriptor `fd`, [grantpt\(3C\)](#) first checks that the file descriptor is that of the master device. If so, it obtains the name of the associated slave device and sets the user ID to that of the user running the process and the group ID to `TTY`. The mode of the slave device is set to `0620`.

If the process is already running as root, the permission of the slave can be changed directly without invoking this function. [grantpt\(3C\)](#) returns 0 on success and -1 on failure. It fails if one or more of the following occurs: `fd` is not an open file descriptor, `fd` is not associated with a master device, the corresponding slave could not be accessed, or a system call failed because no more processes could be created.

## unlockpt() Function

[unlockpt\(3C\)](#) clears a lock flag associated with a master/slave device pair. [unlockpt\(3C\)](#) returns 0 on success and -1 on failure. It fails if one or more of the following occurs: `fd` is not an open file descriptor or `fd` is not associated with a master device.

## ptsname() Function

[ptsname\(3C\)](#) returns the name of the slave device that is associated with the given master device. It first checks that the file descriptor is that of the master. If it is, it then determines the name of the corresponding slave device `/dev/pts/M` and returns a pointer to a string containing the null-terminated path name. The return value points to static data whose content is overwritten by each call. [ptsname\(3C\)](#) returns a non-NULL path name upon success and a NULL pointer upon failure. It fails if one or more of the following occurs: `fd` is not an open file descriptor or `fd` is not associated with the master device.

## Pseudo-TTY Streams

Drivers and modules can make the stream head act as a terminal stream by sending an `M_SETOPTS` message with the `SO_ISTTY` flag set upstream. This state may be changed by sending an `M_SETOPTS` message with the `SO_ISNTTY` flag set upstream.

Controlling terminals are allocated with the [open\(2\)](#) interface. The device must tell the stream head that it is acting as a terminal.

The `TOSTOP` flag is set on reception of an `M_SETOPTS` message with the `SO_TOSTOP` flag set in the `so_flags` field. It is cleared on reception of an `M_SETOPTS` message with the `SO_TONSTOP` flag set.

Stream head processing is isolated from modules and drivers by using several message types, such as `M_ERROR`, `M_HANGUP` and `M_SETOPTS`, which only affect the stream in which they are sent.

## STREAMS FAQ

---

This appendix provides answers to frequently asked questions (FAQs).

A source of information on STREAMS performance is the paper "The BSD Packet Filter: A New Architecture for User-level Packet Capture" by McCanne & Van Jacobson in the 1993 Winter USENIX proceedings (also available as <ftp://ftp.ee.lbl.gov/papers/bpf-usenix93.ps.Z>). It includes detailed NIT vs. in-kernel BPF performance measurements and some explanation of results obtained.

With decent code in the kernel (not STREAMS) an in-kernel filter is *much* faster.

The following discussion provides answers to frequently asked IP interface questions.

What are the rules for naming a Network Interface Card (NIC) device driver?

Naming of the NIC device driver has the following constraints:

- The name can contain alphanumeric and underscore ( `_` ) characters only
- The first and last characters of the name cannot be a number
- The name length cannot exceed 16 characters. The recommended length is 3–8 characters

What is the buffer reclaim policy for Network Interface (NIC) drivers?

Network Interface (NIC) drivers on the transmit side need to reclaim transmit buffers placed to the DMA hardware after the DMA operation has been completed. Because the reclaim operation is expensive, drivers often employ some "lazy-reclaim" scheme to either delay the buffer reclaim, coalesce many completed buffers together in one reclaim call, or both. The most aggressive scheme causes the handling of IO completion and buffer reclaiming to be postponed until a new transmit request is made but no empty slot is left on the DMA hardware.

Until recently in the Oracle Solaris operating environment, the network transmit buffers have been allocated from the kernel memory heap. The only detrimental effect from lazy reclaim is a waste of kernel memory that could have been freed up sooner.

---

The Oracle Solaris operating environment will employ a "zero-copy" scheme whenever possible. Under "zero-copy", the stack will attempt to use client-supplied buffers through `esballoc(9f)` directly for network transmit, rather than allocating kernel heap. The "zero-copy" eliminates an expensive copy operation when moving data from a client supplied buffer to a kernel buffer.

Lazy reclaim on a client-supply transmit buffer can seriously impact the operation of the client subsystem or application that relies on a buffer to be released from the networking subsystem expediently. For this reason, NIC drivers employing any lazy reclaim scheme must ensure that buffer reclaim is not held up indefinitely. This requirement can be easily satisfied by ensuring that the driver uses a reclaim timer of tens of seconds or less.

Is there documentation that describes the interface between IP and network drivers, namely, the Oracle-specific requirements not outlined in the DLPI Version 2 specification?

IP is a STREAMS module in the Oracle Solaris operating environment. Any module or driver interface with IP should follow the STREAMS mechanism. There are no specific requirements for the interface between IP and network drivers.

When an `ifconfig device0 plumb` is issued, the driver immediately receives a `DL_INFO_REQ`. Exactly what is required in the `DL_INFO_ACK` from a DLPI Style 2 provider?

Look at the `dl_info_ack_t` struct in `/usr/include/sys/dlpi.h`.

Can a driver be a `clone` driver and also a DLPI Style 2 provider? If so, how do I map the minor number selected in the `open` routine to an

Yes, it is possible for the driver to be a `CLONE` driver and also a DLPI Style 2 provider. The `DL_ATTACH_REQ` request assigns a physical point of attachment (PPA) to a stream. The `DL_ATTACH_REQ` request can be issued any time after a file or stream being opened. The `DL_ATTACH_REQ` request does not have anything to do with assigning, retrieving or mapping minor/instance number. Of course, you can issue a `DL_ATTACH_REQ`



---

instance prior to a DL\_ATTACH\_REQ? The technique of using the minor number to obtain the instance in the getinfo routine is not valid prior to the DL\_ATTACH\_REQ.

request for a file or stream with desired major/minor number. As for the question of mapping minor number to instance, usually the minor number ([getminor\(9F\)](#)) is the instance number.

In the examples, a minor node is created each time the driver's attach routine is called. How would a clone driver attach to multiple boards; that is, have multiple instances, and still only create one minor node?

For the clone driver, this might not be possible. A non-clone driver, it can use the bits information in a particular minor number, for example FF, to map all other minor nodes.

Do Solaris 2.1 Ethernet drivers support LLI 2.0 interfaces?

Do you mean DLPI (Data Link Provider interfaces) ? The Solaris 2.1 ethernet drivers, `le` and `ie`, both support DLPI. See the `le(7D)` man page.

Does Solaris 2.1 DLPI provide both connection-oriented services and connectionless services? Also, is your DLPI Version 2.0, which includes multicast facilities?

Yes and yes. Please see the [dlpi\(7P\)](#) man page. TCP and IP are STREAMS modules in the Oracle Solaris operating environment. The command `strconf < /dev/tcp` lists all the modules. STREAMS is not supported in SunOS 4 TCP/IP.

Is multicasting supported on SunOS 4? If not, how can the customer obtain this feature?

IP multicast is a standard supported feature in the Oracle Solaris operating environment, but it is not supported in the SunOS 4 environment. If customers want to run an unsupported IP multicast on their SunOS 4 systems, it is available via anonymous FTP from `gregorio.stanford.edu` in the file `vntp-ip/ipmulti-sunos41x.tar.Z`.



## STREAMS Glossary

---

<b>anchor</b>	A STREAMS locking mechanism that prevents the removal of STREAMS modules with the <code>I_POP ioctl</code> . Anchors are placed on STREAMS modules by adding the <code>[anchor]</code> flag to autopush configuration files or by directly calling the <code>I_ANCHOR ioctl</code> .
<b>autopush</b>	A STREAMS mechanism that enables a prespecified list of modules to be pushed automatically onto the stream when a STREAMS device is opened. This mechanism is used only for administrative purposes.
<b>back-enable</b>	To enable (by STREAMS) a preceding blocked queue's service procedure when STREAMS determines that a succeeding queue has reached its low-water mark.
<b>blocked</b>	A queue's service procedure that cannot be enabled due to flow control.
<b>clone device</b>	A STREAMS device that returns an unused major/minor device when initially opened, rather than requiring the minor device to be specified by name in the open call.
<b>close routine</b>	A procedure that is called when a module is popped from a stream or when a driver is closed.
<b>controlling stream</b>	A stream above the multiplexing driver used to establish the lower connections. Multiplexed stream configurations are maintained through the controlling stream to a multiplexing driver.
<b>DDI</b>	Device Driver Interface. An interface that facilitates driver portability across different UNIX system versions.
<b>device driver</b>	A stream component whose principle functions are handling an associated physical device and transforming data and information between the external interface and stream.
<b>DKI</b>	Driver-Kernel Interface. An interface between the UNIX system kernel and different types of drivers. It consists of a set of driver-defined functions that are called by the kernel. These functions are entry points into a driver.
<b>downstream</b>	A direction of data flow going from the stream head toward a driver. Also called write side and output side.
<b>driver</b>	A module that forms the stream end. It can be a device driver or a pseudo-device driver. It is a required component in STREAMS (except in STREAMS-based pipe mechanism), and

physically identical to a module. It typically handles data transfer between the kernel and a device and does little or no processing of data.

<b>enable</b>	A term used to describe scheduling of a queue's service procedure.
<b>FIFO</b>	First in, first out. A term used in STREAMS for named pipes. This term is also used in queue scheduling.
<b>flow control</b>	A STREAMS mechanism that regulates the rate of message transfer within a stream and from user space into a stream.
<b>hardware emulation module</b>	A module required when the terminal line discipline is on a stream but there is no terminal driver at the end of the stream. This module recognizes all <code>ioctl</code> s necessary to support terminal semantics specified by <code>termio</code> and <code>termios</code> .
<b>input side</b>	A direction of data flow going from a driver toward the stream head. Also called read side and upstream.
<b>line discipline</b>	A STREAMS module that performs <code>termio</code> canonical and non-canonical processing. It shares some <code>termio</code> processing with a driver in a STREAMS terminal subsystem.
<b>lower stream</b>	A stream connected below a multiplexer pseudo-device driver, by means of an <code>I_LINK</code> or <code>I_PLINK</code> <code>ioctl</code> . The far end of a lower stream terminates at a device driver or another multiplexer driver.
<b>master driver</b>	A STREAMS-based device supported by the pseudo-terminal subsystem. It is the controlling part of the pseudo-terminal subsystem (also called <code>ptm</code> ).
<b>message</b>	One or more linked message blocks. A message is referenced by its first message block and its type is defined by the message type of that block.
<b>message block</b>	A triplet consisting of a data buffer and associated control structures, an <code>msgb</code> structure and a <code>datab</code> structure. It carries data or information, as identified by its message type, in a stream.
<b>message queue</b>	A linked list of zero or more messages connected together.
<b>message type</b>	A defined set of values identifying the contents of a message.
<b>module</b>	A defined set of kernel-level routines and data structures used to process data, status, and control information on a stream. It is an optional element, but there can be many modules in one stream. It consists of a pair of queues (read queue and write queue), and it communicates to other components in a stream by passing messages.
<b>multiplexer</b>	A STREAMS mechanism that enables messages to be routed among multiple streams in the kernel. A multiplexing configuration includes at least one multiplexing pseudo-device driver connected to one or more upper streams and one or more lower streams.

---

<b>named stream</b>	A stream, typically a pipe, with a name associated with it by way of a call to <code>fattach</code> (that is, a mount operation). This is different from a named pipe (FIFO) in two ways: a named pipe (FIFO) is unidirectional while a named stream is bidirectional; a named stream need not refer to a pipe but can be another type of a stream.
<b>open routine</b>	A procedure in each STREAMS driver and module called by STREAMS on each open system call made on the stream. A module's open procedure is also called when the module is pushed.
<b>packet mode</b>	A feature supported by the STREAMS-based pseudo-terminal subsystem. It is used to inform a process on the master side when state changes occur on the slave side of a pseudo-TTY. It is enabled by pushing a module called <code>pckt</code> on the master side.
<b>persistent link</b>	A connection below a multiplexer that can exist without having an open controlling stream associated with it.
<b>pipe</b>	See STREAMS-based pipe.
<b>pop</b>	A term used when a module that is immediately below the stream head is removed.
<b>pseudo-device driver</b>	A software driver, not directly associated with a physical device, that performs functions internal to a stream such as a multiplexer or log driver.
<b>pseudo-terminal subsystem</b>	A user interface identical to a terminal subsystem except that there is a process in place of a hardware device. It consists of at least a master device, slave device, line-discipline module, and hardware emulation module.
<b>push</b>	A term used when a module is inserted in a stream immediately below the stream head.
<b>pushable module</b>	A module put between the stream head and driver. It performs intermediate transformations on messages flowing between the stream head and driver. A driver is a non-pushable module.
<b>put procedure</b>	A routine in a module or driver associated with a queue that receives messages from the preceding queue. It is the single entry point into a queue from a preceding queue. It may perform processing on the message and will then generally either queue the message for subsequent processing by this queue's service procedure, or will pass the message to the put procedure of the following queue.
<b>queue</b>	A data structure that contains status information, a pointer to routines processing messages, and pointers for administering a stream. It typically contains pointers to a put and service procedure, a message queue, and private data.
<b>read queue</b>	A message queue in a module or driver containing messages moving upstream. Associated with the <code>read</code> system call and input from a driver.
<b>read side</b>	A direction of data flow going from a driver towards the stream head. Also called upstream and input side.

<b>remote mode</b>	A feature available with the pseudo-terminal subsystem. It is used for applications that perform the canonical and echoing functions normally done by the line discipline module and TTY driver. It enables applications on the master side to turn off the canonical processing.
<b>SAD</b>	A STREAMS Administrative Driver that provides an interface to the autopush mechanism.
<b>schedule</b>	To place a queue on the internal list of queues that will subsequently have their service procedure called by the STREAMS scheduler. STREAMS scheduling is independent of the Oracle Solaris operating environment process scheduling.
<b>service interface</b>	A set of primitives that define a service at the boundary between a service user and a service provider and the rules (typically represented by a state machine) for allowable sequences of the primitives across the boundary. At a stream/user boundary, the primitives are typically contained in the control part of a message; within a stream, in <code>M_PROTO</code> or <code>M_PCPROTO</code> message blocks.
<b>service procedure</b>	A routine module or driver associated with a queue that receives messages queued for it by the put procedure of that queue. The procedure is called by the STREAMS scheduler. It may perform processing on the message and generally passes the message to the put procedure of the following queue.
<b>service provider</b>	An entity in a service interface that responds to request primitives from the service user with response and event primitives.
<b>service user</b>	An entity in a service interface that generates request primitives for the service provider and consumes response and event primitives.
<b>slave driver</b>	A STREAMS-based device supported by the pseudo-terminal subsystem. It is also called <code>pts</code> and works with a line discipline module and hardware emulation module to provide an interface to a user process.
<b>standard pipe</b>	A mechanism for the unidirectional flow of data between two processes where data written by one process becomes data read by the other process.
<b>stream</b>	A kernel aggregate created by connecting STREAMS components, resulting from an application of the STREAMS mechanism. The primary components are the stream head, the driver, and zero or more pushable modules between the stream head and driver.
<b>stream end</b>	A stream component furthest from the user process that contains a driver.
<b>stream head</b>	A stream component closest to the user process. It provides the interface between the stream and the user process.
<b>STREAMS</b>	A kernel mechanism that provides the framework for network services and data communication. It defines interface standards for character input/output within the kernel, and

between the kernel and user level. The STREAMS mechanism includes integral functions, utility routines, kernel facilities, and a set of structures.

<b>STREAMS-based pipe</b>	A mechanism used for bidirectional data transfer implemented using STREAMS, and sharing the properties of STREAMS-based devices.
<b>TTY driver</b>	A STREAMS-based device used in a terminal subsystem.
<b>upper stream</b>	A stream that terminates above a multiplexer. The beginning of an upper stream originates at the stream head or another multiplexer driver.
<b>upstream</b>	A direction of data flow going from a driver towards the stream head. Also called read-side and input side.
<b>water mark</b>	A limit value used in flow control. Each queue has a high-water mark and a low-water mark. The high-water mark value indicates the upper limit related to the number of bytes contained on the queue. When the queued character reaches its high-water mark, STREAMS causes another queue that attempts to send a message to this queue to become blocked. When the characters in this queue are reduced to the low-water mark value, the other queue is unblocked by STREAMS.
<b>write queue</b>	A message queue in a module or driver containing messages moving downstream. Associated with the <code>w r i t e</code> system call and output from a user process.
<b>write side</b>	A direction of data flow going from the stream head toward a driver. Also called downstream and output side.





# Index

---

## A

- accessing queue information
  - strqget, 115
- adb, 324
- adjmsg, 345
- administration tools
  - strace, 87
  - strerr, 88
  - strlog, 87
  - strqget, 87
  - strqset, 88
- allocate header for output message
  - example, 143
- alloca, 345
  - example, 139
- anchor, 371
- anchors, 44, 79, 258
  - client, 259
  - lock, 258
  - privilege, 258
  - server, 259
- append a character to a message block
  - example, 139
- asynchronous callback functions
  - perimeter, 275
- asynchronous input/output
  - in polling, 65
- AT&T STREAMS, 353
- autopush, 84, 255
- autopush configuration file
  - example, 86

## B

- b\_band, 105
  - placement, 106
- b\_next, 105
- b\_prev, 105
- b\_rptr, 105
- b\_wptr, 105
- back-enable of a queue, 134
- background job
  - in job control, 67
- backq, 345
- bandinfo structure
  - example, 81
  - flush band priority, 172
- bcanput, 345
- bidirectional transfer
  - example, 166, 166
- boundary
  - data and message, 52
- bp, 133
- bp->b\_rptr, 133
- bp->b\_wptr, 133
- breaking stream connections for loop-around device
  - example, 224
- bufcall, 141, 345
  - releasing callback requests, 144

## C

- canput, 345
- cb\_ops structure
  - character and block device information, 245
  - driver entry point, 247

- driver entry points for non-STREAMS drivers, 245
- check module type
  - regular driver, module, or cloneable driver, 254
- check/print module list, 77
- cloning (STREAMS), 212
- close
  - dismantling the stream, 44
- close a module
  - example, 121
- cmn\_err
  - message strings, 321
- compile, assemble and link commands
  - example, 253
- configuration entry point
  - STREAMS driver, 192, 193
- connld, 95, 95
- controlling terminal, 70
- copy data from user space to kernel space
  - example, 224
- copymsg, 345
- crash, 323
  - dbfree, 323
  - dblock, 323
  - linkblk, 323
  - mbfree, 323
  - mblock, 323
  - pty, 323
  - qrun, 323
  - queue, 323
  - stream, 323
  - strstat, 323
  - tty, 323
- create priority band message, 80
  
- D**
- DARAM
  - allocation, 145
  - freeing, 145
  - memory shared by kernel and I/O card, 144
- data and message boundaries
  - RMODEMASK, 52
  - RMSGD, 52
  - RMSGN, 52
  - RNORM, 52
- Data Link Provider Interfaces, 368
- datab structure, 104
  - example, 104
- datams, 345
- db\_base, 104
- DDI, Device Driver Interface, 192
- ddi\_copyin, 74
- ddi\_copyout, 74
- declarations for the loop-around driver
  - example, 218
- definitions of priority band fields
  - example, 115
- dev\_ops structure
  - driver entry point, 247
  - represents a specific class or type of device, 245
- device driver
  - character device, 192
  - definition, 191
  - device types, 192
  - STREAMS driver characteristics, 192
- device interrupt handler
  - example, 142
- difference between driver and a module, 46
- DLPI, 368
- driver
  - ioctl control, 47
  - STREAMS, 31, 193
- driver configuration entry points
  - example, 199
- driver entry point
  - cb\_ops structure, 247
  - dev\_ops structure, 247
  - load kernel module, 247
  - streamtab, 247
- driver entry points, 247
- driver flush handling
  - example, 208
- driver interrupt
  - STREAMS driver, 193
- driver interrupt handling

example, 210  
 dupb, 345  
 dupmsg, 345

**E**

ECHOCTL, 350  
 empty pipe  
   user process attempts read, 92  
   user process attempts write, 93  
 enableok, 345  
 entry point  
   close, 30  
   open, 30  
 error event  
   POLLERR, 64  
   POLLHUP, 64  
   POLLNVAL, 64  
 error events  
   polling, 64  
 esballoc, 146, 345  
   example, 146  
 esballoc(9F)  
   outstanding callbacks from, 275  
 EUC handling in `ldterm`, 353  
 EUC header file  
   example, 355  
 event polling, 61  
   example, 62  
 explicit locks  
   message ordering, 277  
   module, 276  
 explicit locks, constraints  
   module, 277  
 extended STREAMS buffers, 144, 146  
   allocation, 145  
   freeing, 145

**F**

fattach, 95  
 fdetach, 95

FIFO (STREAMS), 89  
   basic operations, 94  
   flush, 94, 95  
 file descriptor passing, 95  
 filter module  
   example, 235  
 flow control, 132, 136, 372  
   check existence of message of particular  
   priority, 54  
   check if certain band is writable, 55  
   check if message is marked, 55  
   expedited data, 134  
   get priority of first message, 54  
   in line discipline module, 239  
   in module, 239, 239  
   processing of ordinary message, 134  
   routines, 132, 136  
   test for, 134  
 flush handling  
   description, 172, 174  
   flags, 81, 172, 338  
   in driver, 208  
   line discipline, 174  
   pipes and FIFOs, 94  
 flush handling, priority band data  
   example, 175  
 flush handling, read side  
   example, 174  
 flush handling, write side  
   example, 173  
 flushband, 345  
 flushing a queue, part 1  
   example, 236  
 flushing priority band data, 81  
   description, 81  
 flushing stream data  
   arguments passed to `M_FLUSH`, 81  
   description, 81  
 flushq, 94, 345  
 fmodsw structure, 271  
 foreground job  
   in job control, 67  
 free routine, 145

freeb, 345  
freemsg, 345  
freezestr, 345  
frequently asked IP interface questions, 367  
full-duplex processing, 22

## G

get stream module list  
    example, 78  
getq, 345  
grantpt, 365  
    with pseudo-tty driver, 363

## H

hardening advice  
    canputnext, 124  
    copyb, 125  
    copymsg, 125  
    db\_ref > 1, 109  
    dupb, 125  
    dupmsg, 125  
    ensure uniform changing of pointers, 111  
    incorrect user data, 138  
    proper bit alignment, 110  
    putnext, 116, 122  
    qprocson, 120  
    removing an anchor, 258  
    retain db\_base <= b\_rptr <= b\_wptr <= db\_lim, 165  
    strqget, 116  
    strqset, 116  
hardware emulation module, 356, 357, 372  
high-priority message, 112, 134  
    M\_COPYIN, 336  
    M\_COPYOUT, 337  
    M\_ERROR, 337  
    M\_FLUSH, 338  
    M\_HANGUP, 339  
    M\_IOCACK, 339  
    M\_IOCADATA, 340

    M\_IOCNAK, 341  
    M\_PCPROTO, 341  
    M\_PCRSE, 341  
    M\_PCSIG, 342  
    M\_READ, 342  
    M\_STOP, 342  
    M\_STOPI, 343  
    M\_UNHANGUP, 343  
    SO\_MREADOFF, 342  
    SO\_MREADOFI, 343

## I

I\_ANCHOR, 44, 79, 258, 259  
I\_LIST ioctl  
    example, 170  
I\_SETSIG event  
    S\_BANDURG, 66  
    S\_ERROR, 66  
    S\_HANGUP, 66  
    S\_HIPRI, 65  
    S\_INPUT, 65  
    S\_MSG, 66  
    S\_OUTPUT, 66  
    S\_RDBAND, 65  
    S\_RDNORM, 65  
    S\_WRBAND, 66  
    S\_WRNORM, 66  
infinite loop  
    service procedure, 112  
initialization entry point  
    STREAMS driver, 193  
initialization entry points  
    example, 199  
initialization routines for the loop-around driver  
    example, 218  
input/output polling, 61, 66  
insq  
    insq, 345  
inter\_rcv  
    example, 59  
inter\_snd, send data to service provider

- example, 58
  - interrupt handler
    - STREAMS driver, 197
  - iocblk structure, 149
    - example, 147
    - with M\_IOCTL, 329
  - ioctl, 150
    - \_RECVFD, 331
    - command summary, 79
    - EUC\_WSET, 353
    - general processing, 75, 75
    - handled by ptem, 359
    - hardware emulation module, 356
    - I\_ANCHOR, 44, 79, 258, 259
    - I\_ATMARK, 55, 79
    - I\_CANPUT, 55, 79
    - I\_CKBAND, 54, 79
    - I\_FDINSERT, 79
    - I\_FIND, 79
    - I\_FLUSH, 79, 81
    - I\_FLUSHBAND, 54, 79, 81
    - I\_GETBAND, 54, 79
    - I\_GETCLTIME, 79
    - I\_GRDOPT, 79
    - I\_GWROPT, 79, 93
    - I\_LINK, 79, 300, 312, 328
    - I\_LIST, 76
    - I\_LOOK, 79
    - I\_NREAD, 79
    - I\_PEEK, 79
    - I\_PLINK, 79, 312, 317, 328
    - I\_POP, 31, 44, 231
    - I\_PUNLINK, 79, 312, 317, 328
    - I\_PUSH, 31, 44, 231
    - I\_RECVFD, 79, 95
    - I\_SENDFD, 79, 95, 331
    - I\_SETCLTIME, 79
    - I\_SETSIG, 61
    - I\_SETSIG events, 65
    - I\_SRDOPT, 52, 79
    - I\_STR, 328
    - I\_STR processing, 76
    - I\_SWROPT, 79, 93
    - I\_UNLINK, 79, 302, 312, 328
    - ISPTM, 364
    - SAD\_GAP, 257
    - SAD\_SAP, 257
    - SAP\_ALL, 86
    - SAP\_CLEAR, 86
    - SAP\_ONE, 86
    - SAP\_RANGE, 86
    - SIOCSPGRP, 336
    - supported by ldterm, 352
    - supported by master driver, 364
    - TIOCREMOTE, 362
    - TIOCSIGNAL, 365
    - TIOCSPGRP, 336
    - transparent, 152, 155, 170
    - transparent processing, 76
    - UNLKPT, 364
    - user context, 149
  - isastream, 95
- J**
- job control, 67, 69
    - background process group, 67
    - controlling process, 67
    - controlling terminal, 67
    - foreground process group, 67
    - orphaned process group, 68
    - process group, 68
    - process group leader, 68
    - process group lifetime, 68
    - process ID, 68
    - process lifetime, 68
    - session, 68
    - session ID, 68
    - session leader, 68
    - session lifetime, 68
    - SUSP character, 69
    - terminology, 67, 69
    - TOSTOP flag, 69

**K**

- /kernel/drv
  - loading device drivers, 254
- /kernel/strmod
  - loading module, 254
- kadb, 324
- kernel data structures
  - ch\_ops, 244
  - dev\_ops, 243
  - modldrv, 243
  - modlinkage, 243
  - modlstrmod, 243
  - qinit, 244
  - streamtab, 244
- kernel utilities, 345
  - adjmsg, 345
  - allocb, 345
  - backq, 345
  - bcanput, 345
  - bufcall, 345
  - canput, 345
  - copymsg, 345
  - datamsg, 345
  - dupb, 345
  - dupmsg, 345
  - enableok, 345
  - esballoc, 345
  - flushband, 345
  - flushq, 345
  - freeb, 345
  - freemsg, 345
  - freezestr, 345
  - getq, 345
  - linkb, 345
  - msgdsize, 345
  - noenable, 345
  - otherq, 346
  - pullupmsg, 346
  - putbq, 346
  - putctl, 346
  - putctl1, 346

- putnext, 346
- putq, 346
- qbufcall, 346
- qprocsoff, 346
- qprocson, 346
- qreply, 346
- qsize, 346
- qtimeout, 346
- qunbufcall, 346
- quntimeout, 346
- qwait, 346
- qwait\_sig, 346
- qwriter, 346
- RD, 346
- rmvb, 346
- rmvq, 346
- strlog, 346
- strqget, 346
- strqset, 346
- testb, 346
- unbufcall, 346
- unfreezestr, 346
- unlinkb, 346
- WR, 346

**L**

- ldterm, 349, 349, 350
  - M\_SETOPTS, 350
  - read-side messages, 351
  - write side, 352
- LIFO
  - module add/remove, 47
- line discipline module
  - close, 350
  - description, 349
  - in job control, 69
  - in pseudo-tty subsystem, 358
  - ioctl, 352
- line discipline module for flush handling
  - example, 174

- line printer driver
  - example, 199
  - header file declarations, 198
- linkb, 345
- linking messages, 105
- list a stream's drivers and modules
  - example, 170
- load kernel module
  - driver entry point, 247
- loop-around driver flow control
  - example, 224
  
- M**
- M\_BREAK, 327
- M\_COPYIN, 336
- M\_COPYOUT, 337
  - transparent ioctl example, 166
  - with M\_IOCTL, 331
- M\_COPYOUT using transparent ioctl
  - example, 162
- M\_CTL, 328
  - M\_STOP, 342
  - SO\_MREDOFF, 342
  - with line discipline module, 349
- M\_DATA, 328
- M\_DELAY, 328
- M\_ERROR, 337
- M\_FLUSH, 338
  - flags, 338
  - flush read and write queues, 81
  - flush read side of stream, 81
  - flush write side of stream, 81
  - FLUSHR, 81
  - FLUSHRW, 81
  - FLUSHW, 81
  - in module example, 238
  - packet mode, 362
- M\_FLUSH message handling
  - description, 172
- M\_HANGUP, 339
- M\_IOCACK, 339
  - with M\_COPYOUT, 337
  - with M\_IOCTL, 330
- M\_IOCTLDATA, 340
- M\_IOCTLDATA processing
  - example, 158, 168
- M\_IOCNAK, 341
  - with M\_COPYOUT, 337
  - with M\_IOCTL, 330
- M\_IOCTL, 328, 331
  - transparent, 330
  - with M\_COPYOUT, 337
- M\_PASSFP, 331
- M\_PCPROTO, 341
- M\_PCRSE, 341
- M\_PCSIG, 342
- M\_PROTO, 332, 332
- M\_READ, 342
- M\_RSE, 332
- M\_SETOPTS, 332
  - SO\_FLAG, 333
  - SO\_ISTTY, 335
  - so\_readopt options, 52
- M\_SIG, 335
  - in signaling, 189
- M\_STOP, 342
- M\_STOPI, 343
- M\_UNHANGUP, 343
- managing extended buffers in multithreaded
  - environment
    - example, 146
- manipulating modules, 36
- master driver
  - in pseudo-tty subsystem, 357
  - open, 363
- mdb, 324
- memory-mapped I/O, 144
- message, 30
  - accessing queue information, 115
  - allocation, 138
  - container for data and control information, 101
  - create priority band message, 80
  - data alignment, 110

- definitions of priority band fields, 115
- flow control, 54
- freeing, 139
- getmsg, 80
- getpmsg, 80
- high-priority, 112, 134
- linking, 106
- M\_BREAK, 103, 327
- M\_COPYIN, 103, 336
- M\_COPYOUT, 103, 337
- M\_CTL, 103, 328, 342
- M\_DATA, 103, 328
- M\_DELAY, 103, 328
- M\_ERROR, 103, 337
- M\_FLUSH, 103, 338
- M\_HANGUP, 103, 339
- M\_IOCACK, 103, 339
- M\_IOCADATA, 103, 340
- M\_IOCNAK, 103, 341
- M\_IOCTL, 103, 328
- M\_PASSFP, 103, 331
- M\_PCPROTO, 103, 341
- M\_PCRSE, 341
- M\_PCSIG, 103, 342
- M\_PROTO, 103, 332
- M\_READ, 103, 342
- M\_RSE, 332
- M\_SETOPTS, 103, 332
- M\_SIG, 103
- M\_START, 103
- M\_STARTI, 103
- M\_STOP, 103
- M\_STOPI, 103, 343
- M\_UNHANGUP, 103, 343
- msgb structure, 104, 105
- priority, 111
- putmsg, 80
- putpmsg, 80
- qband structure, 128
- qinit structure, 116
- queue, 111, 112
  - queue priority, 54, 55
  - queue structure, 113
  - queues, 53, 106
  - read options, 52
  - recovering from allocation failure, 141
  - recovering from no buffers, 141
  - retrieve priority band message, 80
  - service interface, 178
  - shared data, 107
  - SO\_MREADOFI, 343
  - translation between user application and kernel, 101
  - types, 52
  - using qband information, 129
  - write option, 53
- message (STREAMS)
  - direction, 110
  - flow, 131
  - handled by pckt, 362
  - handled by ptem, 359
  - high-priority, 103, 336
  - ldterm read side, 351
  - ldterm write side, 352
  - linking into queues, 105
  - M\_DATA, 109
  - M\_PCPROTO, 109
  - M\_PROTO, 109
  - ordinary, 103, 327, 336
  - processing, 131
  - sending/receiving, 109
  - structures, 104
  - types, 102
- message block, 372
- message block structure
  - example, 105
- message ordering, 109
- message priorities, 111
- message queue, 372
  - priority levels, 32
- message types
  - rules for changing, 187
- messages
  - kernel, 102



- messages sent by driver to stream head
  - M\_ERROR, 224
  - M\_HANGUP, 224
  - M\_SIG/M\_PCSIG, 224
- modldrv structure
  - driver operations and linkage information, 244
- modlinkage structure
  - module link information, 244
  - revision level of loadable modules, 244
- modlstrmod structure
  - module operations and linkage information, 244
- module, 372
  - difference with driver, 46
  - draining, 44
  - ioctl control, 47
  - line discipline, 372
  - manipulation, 36
  - pushable, 373
  - reusability, 38
- module entry point structure
  - example, 116
- module information structure
  - example, 116
- module put
  - example, 124
- module service procedure
  - example, 127
- module unloading
  - outstanding esballoc callback, 276
- module\_info structure
  - example, 116
- monitor streams events, 61
- msgb structure, 105
- msgdsize, 345
- MT SAFE
  - cb\_flag for driver, 272
  - driver, 272
  - f\_flag for module, 271
  - module, 271
- multiple process write
  - same pipe, 93
- multiplexer, 372
  - building, 296, 301
  - controlling stream, 300
  - data routing, 303
  - declarations, 307
  - definition, 34
  - design guidelines, 318
  - dismantling, 302
  - driver, 315
  - driver example, 306
  - example, 305
  - lower, 295
  - lower connection, 304, 305
  - lower disconnection, 305
  - lower read put procedure, 314, 315
  - lower stream, 34, 372
  - lower write service procedure, 313, 314
  - minor device connect, 303
  - minor device disconnect, 305
  - pseudo-device driver, 34
  - upper, 295
  - upper stream, 34, 375
  - upper write service procedure, 313
  - upper-queue write put procedure, 309
- multiplexer ID
  - in multiplexer building, 300
  - in multiplexer dismantling, 302
- multiplexing STREAMS, 34
- multithread framework
  - MT SAFE, 271
  - perimeters, 271
- multithreaded kernel, 35
  - porting to, 278
- multithreaded module
  - explicit locks, 276
  - explicit locks, constraints, 277
  - preserving message ordering, 277
- multithreaded perimeter
  - choosing a type, 269
  - defining a type, 269
  - description, 266
  - exclusive/shared access flags, 271
  - flags, 270
  - fully-hot, 268

- inner, 267
- inner perimeter flags, 270
- outer, 268
- outer perimeter flags, 270
- PERMOD, 268
- routines used inside a perimeter, 273
- multithreaded STREAMS
  - concepts and terminology, 263
- multithreaded STREAMS module with outer perimeter
  - example, 288
- multithreaded STREAMS pseudo-driver using an inner perimeter
  - example, 280
- muxuwpul
  - upper-queue write pul procedure, 309

## N

- named pipe (*see* FIFO), 89
- named stream
  - description, 95
  - file descriptor passing, 95
- noenable, 345
- nontransparent ioctl using I\_STR
  - example, 153
- NSTRPUSH
  - kernel parameter, 44
  - tunable parameter, 254

## O

- O\_NDELAY
  - with M\_SETOPTS, 334
- O\_NONBLOCK
  - with M\_SETOPTS, 334
- open, 366
  - device file, 42
- open a module
  - example, 119
- open a stream, 42
- open and request bind to the driver device
  - example, 55

- opening a system clone device
  - example, 213
- opening the log driver
  - example, 213
- opening the loop-around driver, 218
- ordinary message
  - M\_BREAK, 327
  - M\_CTL, 328
  - M\_DATA, 328
  - M\_DELAY, 328
  - M\_IOCTL, 328
  - M\_PASSFP, 331
  - M\_PROTO, 332
  - M\_RSE, 332
  - M\_SETOPTS, 332
- otherq, 346

## P

- packet mode, 373
  - description, 362
  - messages, 362
- panic, 109
- pkct, 362, 362
- perimeter
  - asynchronous access, 266
  - asynchronous callback functions, 275
  - choosing a type, 269
  - defining a type, 269
  - description, 266
  - exclusive/shared access flags, 271
  - flags, 270
  - fully-hot, 268
  - inner, 267
  - inner perimeter flags, 270
  - outer, 268
  - outer perimeter flags, 270
  - PERMOD, 268
  - routines, 273
  - synchronous access, 266
- persistent link, 316, 373
  - create, 316

- dismantle, 317
- pipe or FIFO
  - read from, 92
  - write to, 93
- PIPE\_BUF, 93
- pipemod
  - module, 94
- pipemod STREAMS module, 94
- pipes
  - STREAMS (see STREAMS-based pipe), 89
- poll, 64
- poll event
  - POLLIN, 61
  - POLLOUT, 61
  - POLLRDBAND, 61
  - POLLRDNORM, 61
  - POLLWRBAND, 61
  - POLLWRNORM, 61
- pollfd structure, 63
- polling
  - asynchronous input/output, 65
  - error events, 64
  - event, 61
  - example, 62, 65
- porting from SunOS 4 to Oracle Solaris 11
  - considerations, 279
- priority band data
  - ioctl, 54
  - routines, 130
- priority band data flush handling
  - example, 175
- private data, 30
- private locks across calls
  - module, 275
- process incoming data
  - example, 63
- process write message blocks
  - example, 139
- processing an ioctl
  - example, 48
- processing an ioctl message
  - example, 150
- processing input
  - example, 49
- protocol
  - migration, 37
  - portability, 36
  - substitution, 37
- protocol daemon
  - example, 297
- protocol messages
  - read, 52
- pseudo-device
  - driver, 373
- pseudo-terminal
  - subsystem, 373
- pseudo-terminal subsystem
  - remote mode, 374
- pseudo-tty emulation module, 359, 361
- pseudo-tty subsystem, 357
  - description, 357, 366
  - drivers, 349, 363
  - ldterm, 358
  - messages, 359
  - packet mode, 362
  - remote mode, 362
- ptem, 359, 361
- ptem structure
  - example, 360
- ptm (see master driver), 357
- pts
  - example, 247
- pts (see slave driver), 357
- ptsname, 366, 366
  - with pseudo-tty driver, 363
- pullupmsg, 346
- push/pop modules on/off the stream, 76
- pushing a module
  - example, 46
- pushing modules on a STREAMS-based FIFO, 90
- pushing modules on a STREAMS-based pipe, 91
- put procedure, 34, 122, 126
- putbq, 346
- putctl, 346
- putctl1, 346

putnext, 94, 346

putq, 346

## Q

q\_next field, 276

qband structure

    example, 128

qbufcall, 273, 346

qinit structure

    example, 116

    pointers to STREAMS entry points, 247

qprocsoff, 273, 346

qprocson, 273, 346

qreply, 346

qsize, 346

qtimeout, 273, 273, 346

queue, 33, 102, 373

    flags, 114

    put, 373

    read, 373

    read side, 373

    schedule, 374

    using qband information, 129

    water mark, 375

    write, 375

    write side, 375

queue allocation, 44

queue flags

    QENAB, 114

    QFULL, 114

    QNOENB, 115

    QREADR, 114

    QUSE, 115

    QWANTR, 114

    QWANTW, 114

queue processing entry point

    STREAMS driver, 193, 196

queue processing entry points

    example, 199

queue processing procedure

    put, 30

    service, 30

queue structure

    example, 113

qunbufcall, 273, 273, 346

quntimeout, 273, 346

qwait, 274, 346

qwait\_sig, 346

qwriter, 274, 346

## R

RD, 346

read side

    ldterm processing, 351

read-side

    put procedure, 232

read-side line discipline module

    example, 239

read-side put procedure

    example, 232

receive data from service provider

    example, 59, 59

releasing callback requests, 144

retrieve priority band message, 80

revents

    bitmask, 65

rmvb, 346

rmvq, 346

routines used inside a perimeter, 273

## S

sad, 255

SAD (*see* STREAMS Administrative Driver), 84, 255, 255

SAD\_GAP ioctl, 257

SAD\_SAP ioctl

    SAP\_ALL option, 257

    SAP\_CLEAR option, 257

    SAP\_ONE option, 257

    SAP\_RANGE option, 257

sap\_lastminor device, 257

- sap\_major device, 257
- sap\_minor device, 257, 257
- send data to service provider
  - example, 58
- service
  - interface, 374
  - procedure, 374
  - provider, 374
  - user, 374
- service interface, 35, 180
  - definition, 178
  - rules, 183
- service interface library
  - example, 181
  - primitives, 182
- service interface library header file
  - example, 181
- service interface protoput procedure
  - example, 185
- service primitive, 180
  - BIND\_REQ, 182
  - ERROR\_ACK, 183
  - in service procedure, 182
  - OK\_ACK, 182
  - UNITDATA\_IND, 183
  - UNITDATA\_REQ, 182
- service primitive declarations
  - example, 183
- service procedure, 34, 126, 135
  - back-enable, 371
  - blocked, 371
- service provider, 180
  - accessing, 55
  - closing, 58
  - receiving data, 59
  - sending data, 58
- signal, 189
  - extended, 66
  - in job control management, 69
  - in STREAMS, 66, 189
  - M\_SIG, 189
  - SIGCONT, 69
  - SIGHUP, 70
  - SIGPOLL, 335
  - SIGSTOP, 69
  - SIGTSTP, 69
  - SIGTTIN, 69
  - SIGTTOU, 69
- SIGPOLL
  - signal, 335
- SIGTTIN, 71
- SIGTTOU, 71
- simple stream
  - example, 27
- slave driver, 374
  - in pseudo-tty subsystem, 357
  - open, 363
- slave driver open
  - example, 363
- SO\_FLAG
  - in M\_SETOPTS, 333
- SO\_MREADOFF, 342
- SO\_MREADOFI, 343
- standard pipe, 374
- str\_mlist structure
  - example, 77
- strace, 87
- strpush structure
  - example, 256
- strchg, 76
- strconf command, 76
- STRCTL SZ
  - tunable parameter, 255
- stream
  - controlling terminal, 70
  - general definition, 22
  - hung-up, 70
- stream autopush structure
  - example, 85
- stream construction
  - add/remove modules, 44
  - close a stream, 44
  - example, 45, 50
  - open a stream, 42

- stream head
  - copy data between the user space and kernel space, 102
  - intercepting I\_STR, 49
  - kernel space interaction, 102
- stream pseudo terminal module
  - example, 247
- streamio ioctl commands
  - streams control, 79
- STREAMS, 374
  - administration tools, 83
  - application interface, 26
  - asynchronous callback functions, 275
  - closing a device, 27
  - configuration, 86, 257
  - considerations when porting from SunOS 4 to Oracle Solaris 11, 279
  - data path, 22
  - data transfer, 26
  - definition, 21
  - definition of functionality, 21
  - determining when to use, 25
  - device driver, 23
  - driver, 31
  - flow control, 25, 27
  - frequently asked IP interface questions, 367
  - hardened, 199, 280, 288
  - hardening advice, 138, 165
  - head, 23, 29
  - interface, 41
  - kernel-level, 29
  - message components, 31
  - message data structures, 31
  - message queue priority, 32
  - message queues, 24
  - message types, 31
  - messages, 23
  - module, 23, 29
  - module multiplexing, 34
  - multiplexing, 25, 295
  - multithread framework, 265
  - multithread framework integrity, 265
  - opening a device, 26
  - polling, 25
  - programming model, 21
  - queue overview, 33
  - tunable parameters, 254
- STREAMS administration modules, 86
  - autopush facility, 86
- STREAMS Administrative Driver, 84, 86, 255, 257
- STREAMS anchors client
  - example, 259
- STREAMS anchors server
  - example, 259
- streams control
  - streamio ioctl commands, 79
- STREAMS debugging, 323
  - error and trace logging, 86, 322, 323
  - kernel debug printing, 321
  - kernel examination tools, 323
- STREAMS driver
  - cloning, 212
  - configuration entry point, 192, 193
  - design guidelines, 230
  - driver interrupt, 193
  - Ethernet drivers, 368
  - flush handling, 208
  - initialization entry point, 193
  - interrupt handler, 197
  - ioctl, 74, 137
  - loop-around, 216
  - porting to multithreaded kernel, 278
  - pseudo-tty, 349, 363
  - pseudo-tty subsystem master, 357
  - pseudo-tty subsystem slave, 357
  - queue processing entry point, 193, 196
  - table-driven entry point, 194
- STREAMS module, 231, 238
  - adding an anchor, 259
  - anchor lock, 258
  - autopush facility, 84, 255, 257
  - connld, 95
  - design guidelines, 241
  - filter, 235
  - flow control, 239, 241
  - ioctl, 74

- line discipline, 349
  - ptem, 359
  - read-side put procedure, 232
  - routines, 232, 235
  - service interface example, 183, 187
  - service procedure, 234
  - service procedure example, 234
  - write-side put procedure, 233
  - STREAMS queue
    - qband structure, 128
    - using qband information, 129
    - using queue information, 129
  - STREAMS-based pipe, 375
    - atomic write, 93
    - basic operations, 94
    - definition, 89
    - PIPE\_BUF, 93
  - STREAMS-based pseudo-terminal subsystem (*see* pseudo-tty subsystem), 357
  - STREAMS-based terminal subsystem (*see* tty subsystem), 347
  - streamtab structure
    - driver entry point, 247
    - example, 253
    - pointers to structures for initializing reading and writing a module, 246
  - strerr, 88
  - striocctl structure, 48
    - example, 150
    - ic\_cmd, 48
    - ic\_dp, 49
    - ic\_len, 49
    - ic\_timeout, 49
  - strlog, 87, 346
    - flag parameter, 87
  - STRMSGSZ
    - tunable parameter, 254
  - stropts.h
    - strbuf, 80
  - strqget, 87, 115, 346
  - strqset, 88, 115, 346
  - structure for M\_IOCTL unrecognized message
    - example, 147
  - structure for nontransparent ioctl
    - example, 150
  - synchronous input/output
    - in polling, 61
  - system crash, 109
- T**
- table-driven entry point
    - STREAMS driver, 194
  - termio
    - default flag values, 350
    - TCSETA, 69
    - TCSETAF, 69
    - TCSETAW, 69
  - termios
    - terminal control flags, 349
  - testb, 346
  - transferring user buffer into the kernel
    - example, 158
  - transparent ioctl, 155
    - example, 153
    - M\_COPYOUT example, 166
    - messages, 154
    - processing, 76
  - transparent ioctl processing, 170
  - treatment of protocol messages
    - RPROTDAT, 53
    - RPROTDIS, 53
    - RPROTMASK, 52
    - RPROTNORM, 53
  - tty subsystem
    - benefits, 347
    - description, 347, 357
    - hardware emulation module, 356, 357
    - ldterm, 349
    - setup, 348
  - ttymon, 348
  - tunable parameters
    - STREAMS, 254

## U

- unbufcall, 346
- unfreezestr, 346
- unique connection (STREAMS), 96, 96
- unlinkb, 346
- unlockpt, 365
  - with pseudo-tty driver, 363
- upstream, 375
- user process write
  - 0 byte pipe , 93
- user's options structure
  - example, 162

## W

- wait for bind request acknowledgement
  - example, 55
- wR, 346
- write side
  - ldterm, 352
- write-side
  - put procedure , 233
- write-side put procedure
  - example, 233